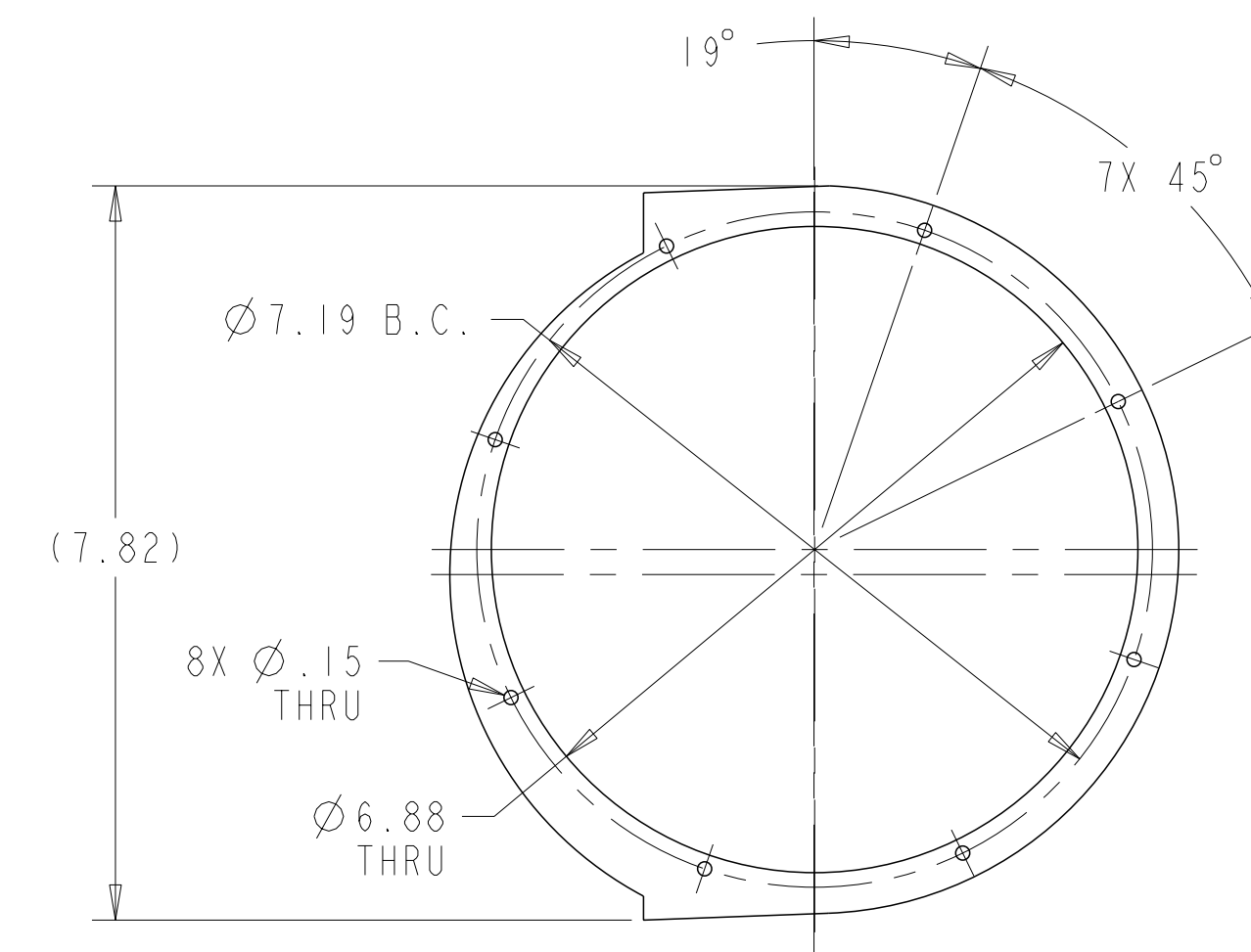
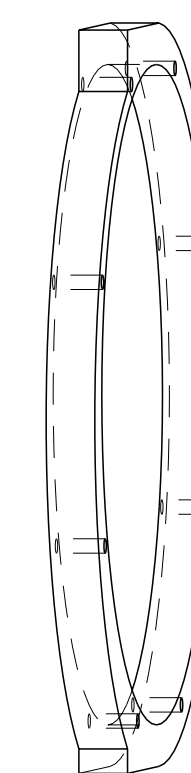
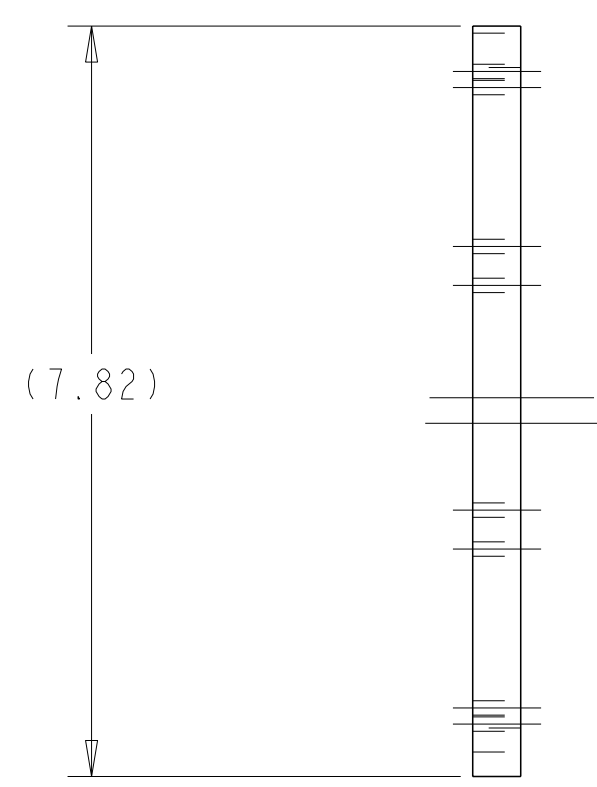
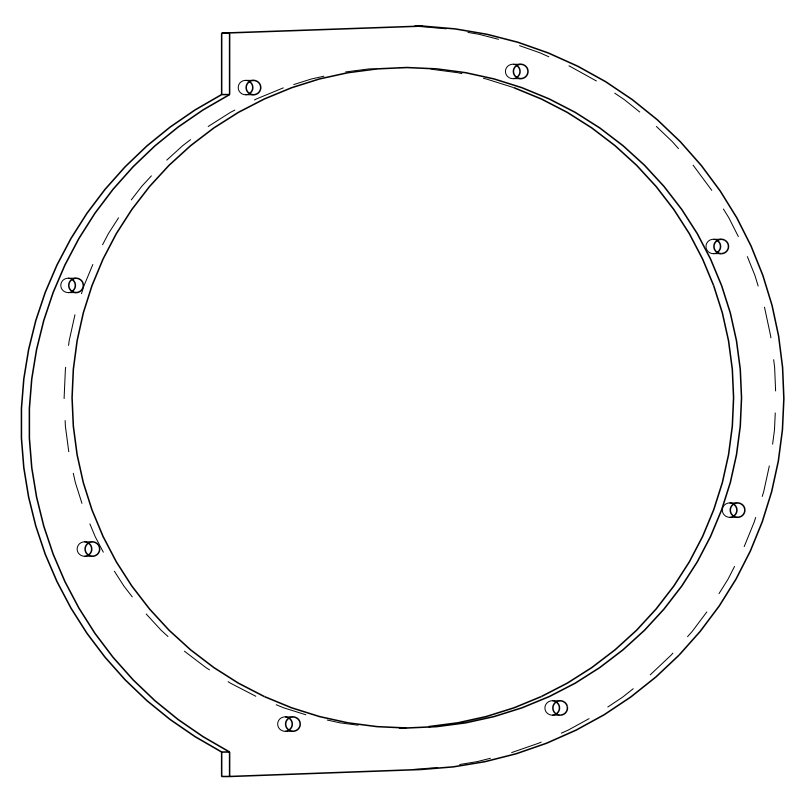
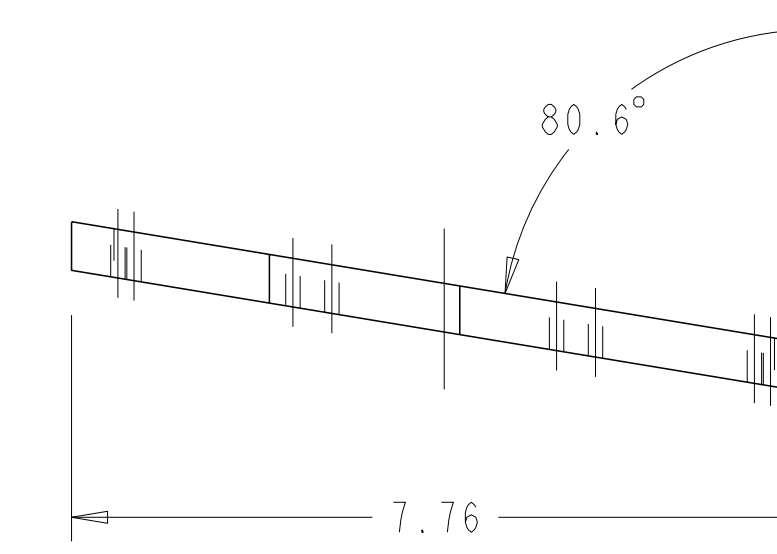
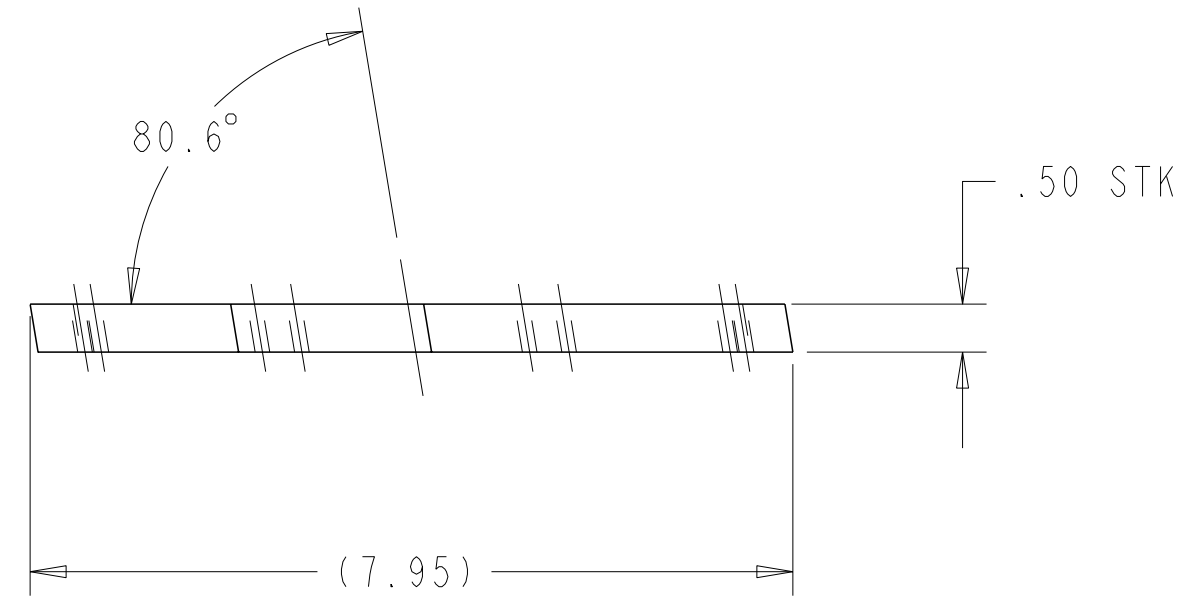


- NOTES
1. INTERPRET DRAWING PER MECHANICAL ENGINEERING DRAFTING STANDARD ES-3.1-2.
 2. INTERPRET DIMENSIONS AND TOLERANCES PER ANSI Y14.5M.
 3. DIMENSIONS ARE IN IN OR MM.



FLAT ORIENTATION

INSTALLED ORIENTATION

SCALE 0.500

AR	X	-1	PORT 2 WINDING FORM SEAL INNER PLATE	G11		I
SE122-340			NOMENCLATURE OR DESCRIPTION	MATERIAL	SPECIFICATION	FIND NO
			NEXT ASSEMBLY	PARTS LIST		

NO REPRESENTATION OR WARRANTY, EXPRESSED OR IMPLIED, IS MADE AS TO THE ACCURACY, COMPLETENESS OR USEFULNESS OF THE INFORMATION OR STATEMENTS CONTAINED IN THESE DRAWINGS, OR THAT THE USE OR DISCLOSURE OF ANY INFORMATION, APPARATUS, METHOD OR PROCESS DISCLOSED IN THESE DRAWINGS MAY NOT INFRINGE PRIVATE RIGHTS OF OTHERS. NO LIABILITY IS ASSUMED WITH RESPECT TO THE USE OF, OR FOR DAMAGES RESULTING FROM THE USE OF, ANY INFORMATION, APPARATUS, METHOD OR PROCESS DISCLOSED IN THESE DRAWINGS. DRAWINGS MADE AVAILABLE FOR INFORMATION TO BIDDERS ARE NOT TO BE USED FOR OTHER PURPOSES, AND ARE TO BE RETURNED UPON REQUEST OF THE FORWARDING CONTRACTOR.

P THIS DRAWING PRODUCED ON PRO-ENGINEER

REV	DESCRIPTION	BY	DATE	CHK	DEPT	DATE	PE	REQ	DATE	ORNL	DOE	DATE
0	ORIGINAL ISSUE											

SCALE	NOTED	DES	DESIGNER	XX
TOLERANCES	UNLESS OTHERWISE SPECIFIED	CHK	DETAILER	XX
FRACTIONS		SECT		
XX DECIMALS	±.01	DEPT		
XXX DECIMALS	±.005	PE		
ANGLES	±0°15'	CR		
BREAK SHARP EDGES	06 MAX	PJ		
FINISH	UNLESS OTHERWISE SPECIFIED	RED		
		PPPL	DRAFT	

Oak Ridge National Laboratory managed for the DEPARTMENT OF ENERGY under U.S. GOVERNMENT CONTRACT DE-AC05-00OR22125 UT-BATTELLE, LLC., Oak Ridge, Tennessee PROJECT NAME:							
NATIONAL COMPACT STELLARATOR EXPERIMENT							
PORT 2 WINDING FORM SEAL INNER PLATE							
VERSION NO.	PLANT	BLOG	FL	SHT	OF	TYPE	CLASS
proj.version	ORNL	5700	3	1	1	S	U
RELEASE LEVEL	SE122-342						REV
proj.release							0