

8

7

6

5

4

3

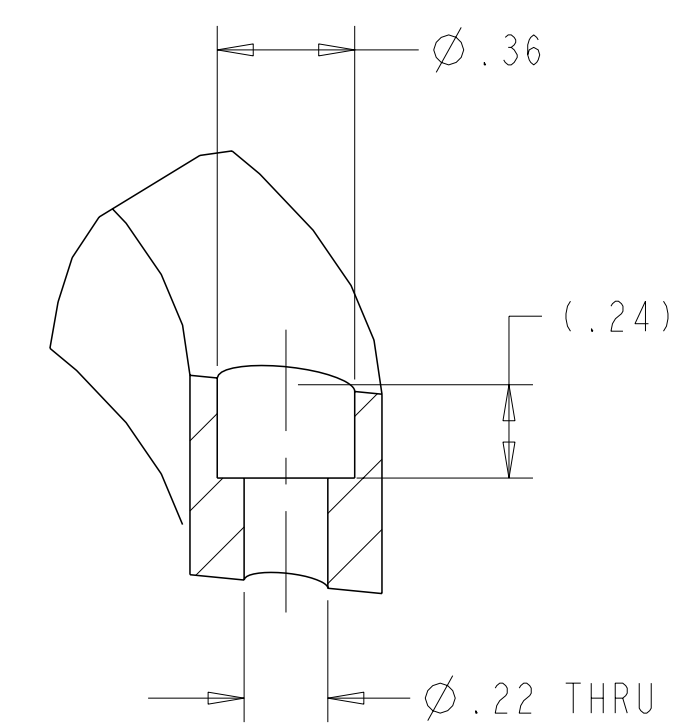
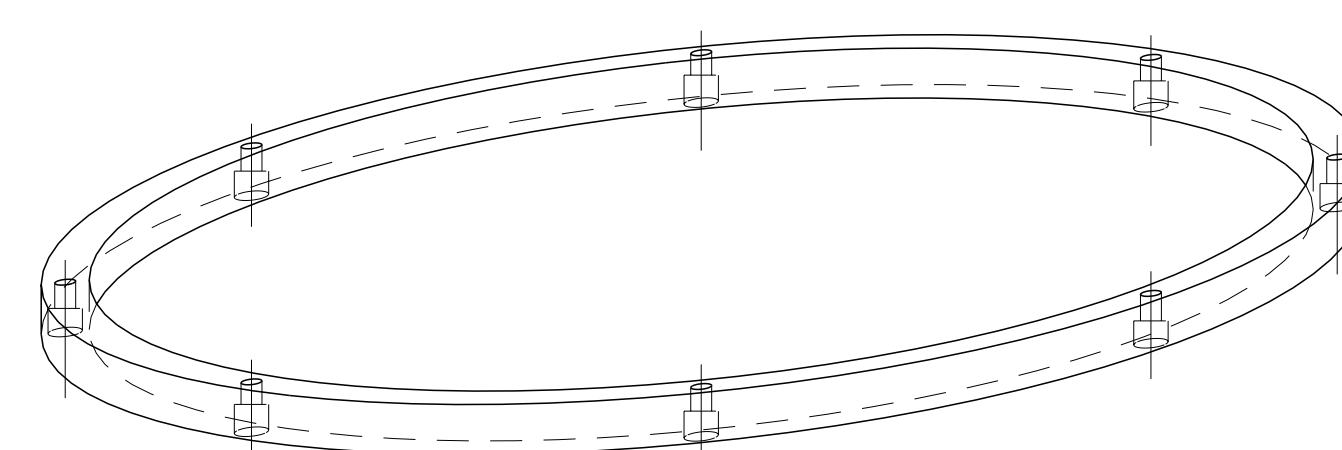
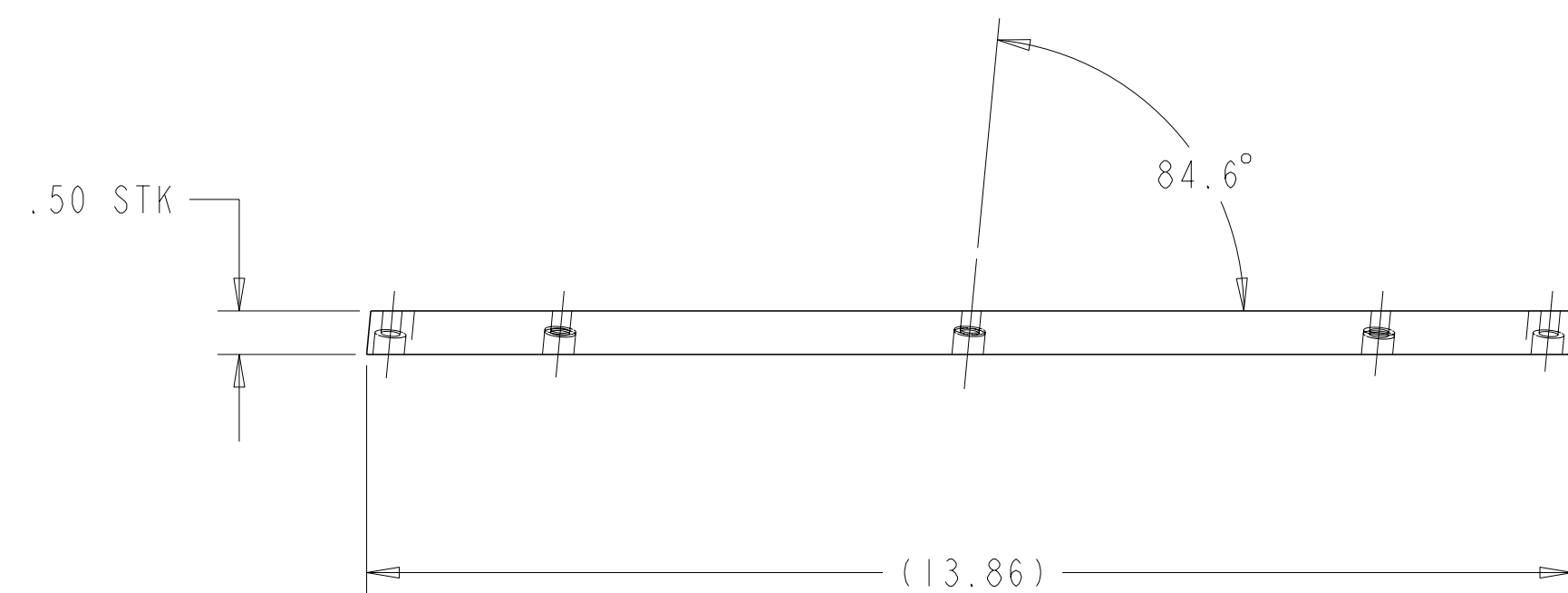
2

1

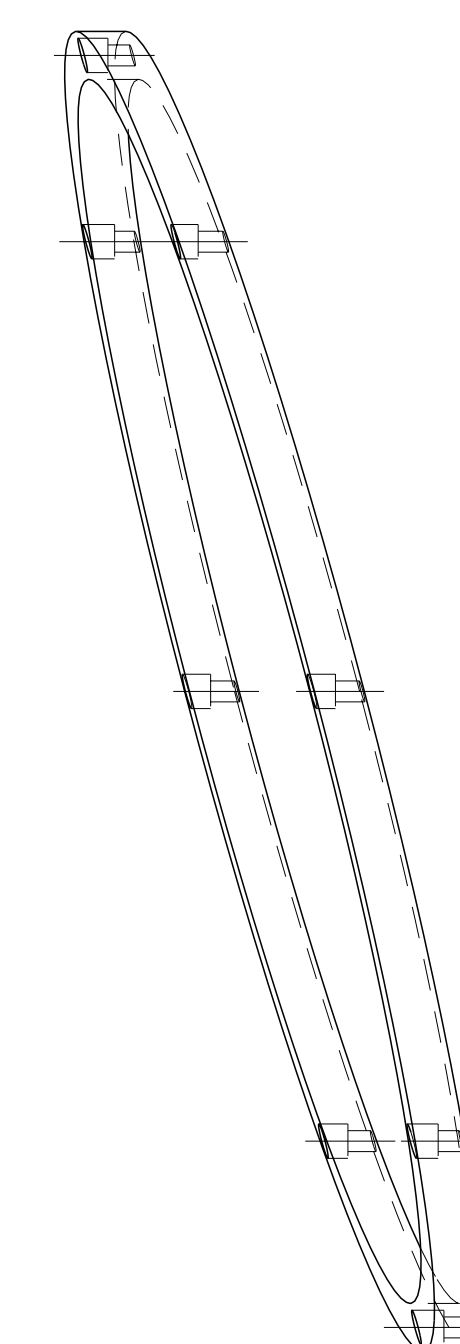
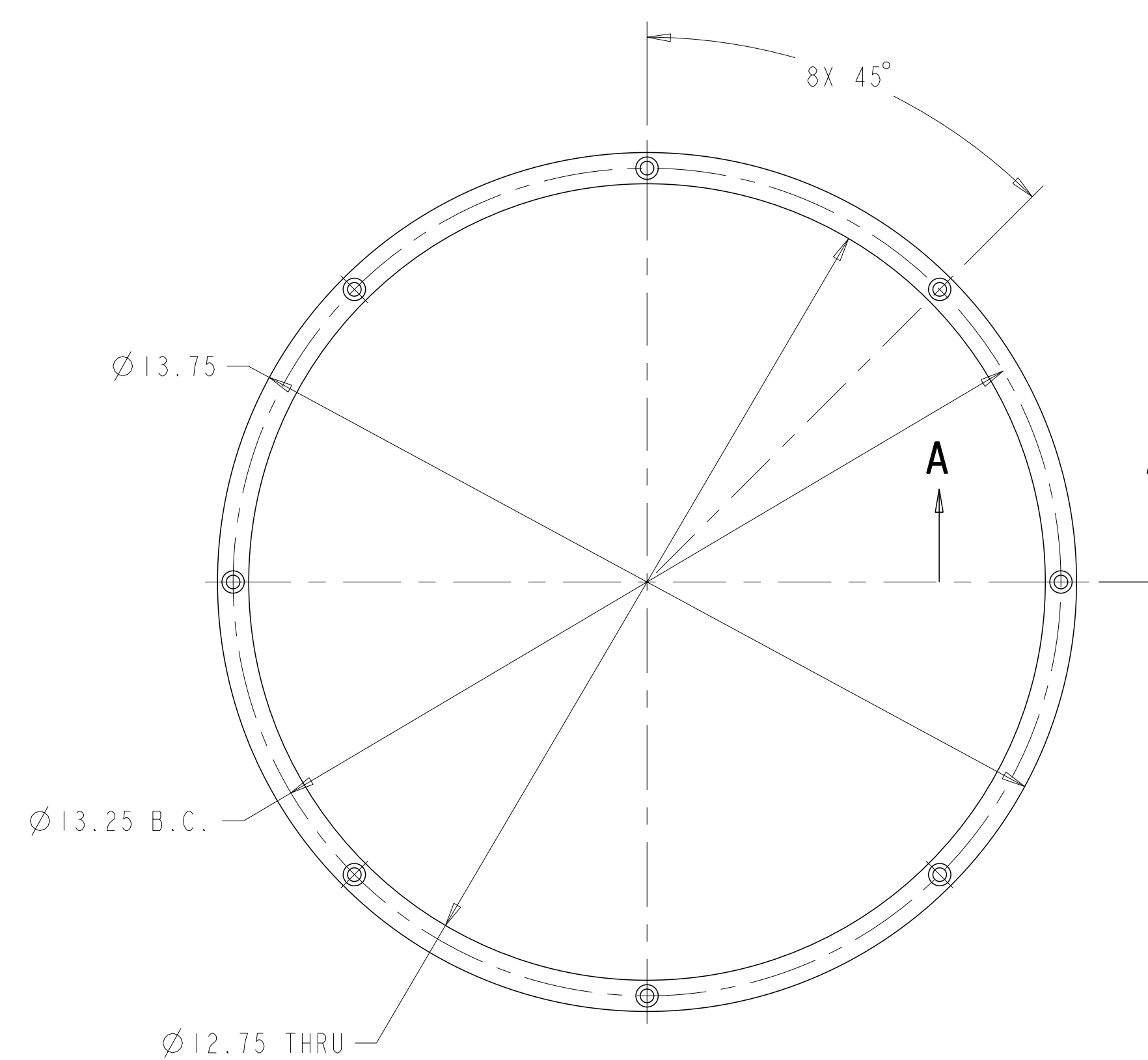
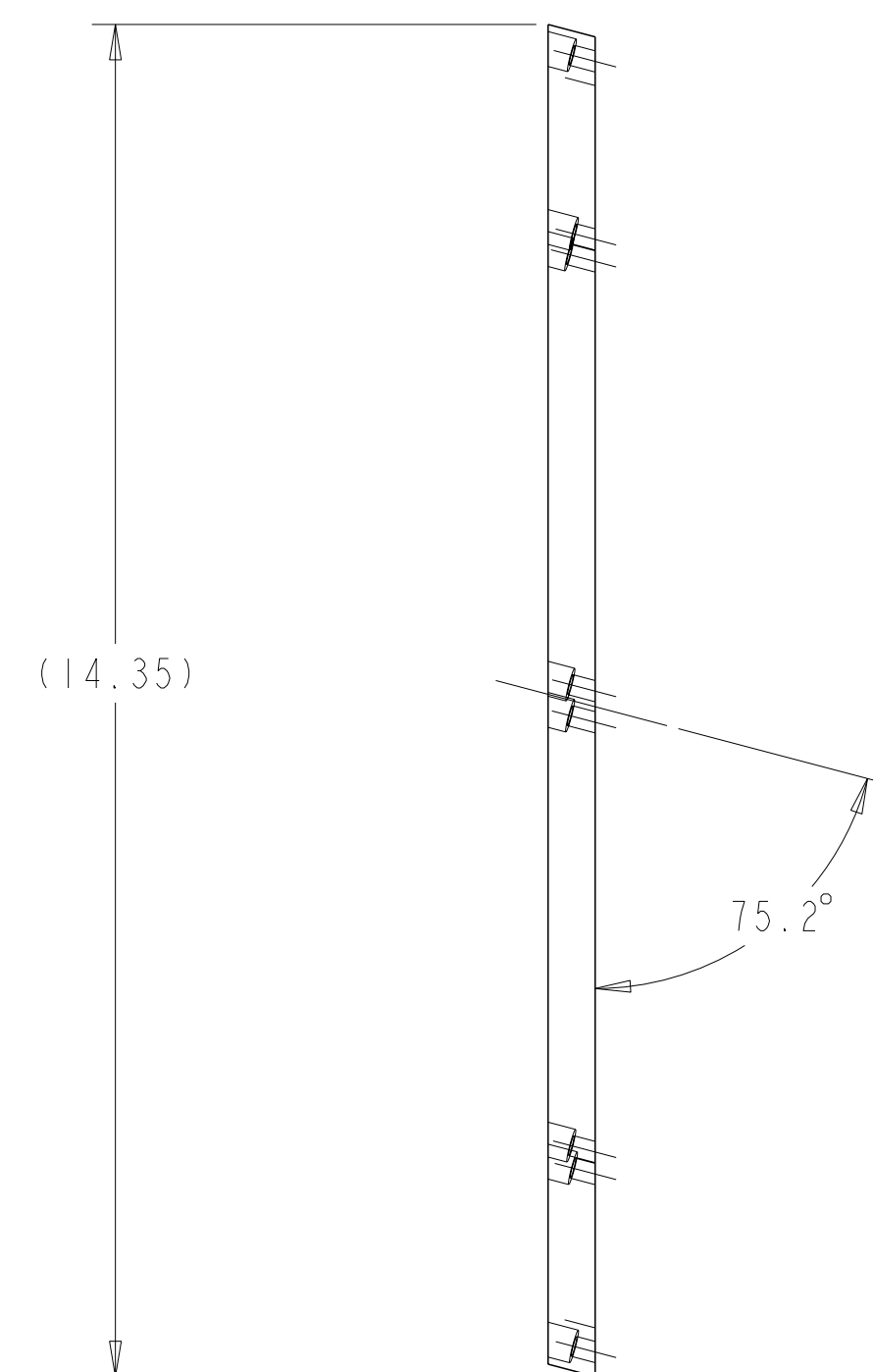
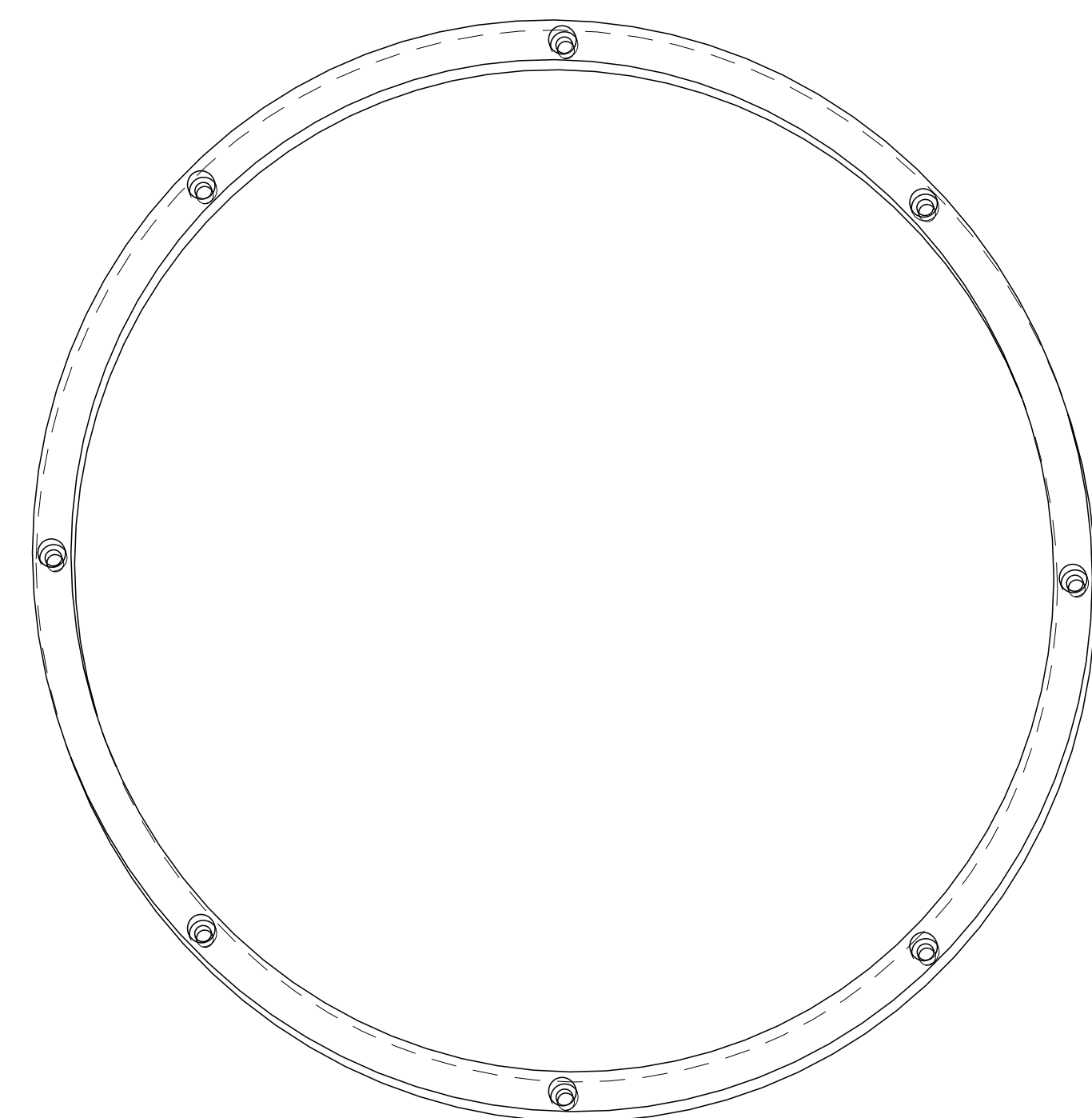
NEXT ASS'Y: 1 FINAL ASS'Y:

NOTES

- 1. INTERPRET DRAWING PER MECHANICAL ENGINEERING DRAFTING STANDARD ES-3.1-2.
- 2. INTERPRET DIMENSIONS AND TOLERANCES PER ANSI Y14.5M.
- 3. DIMENSIONS ARE IN IN OR MM.



SECTION A-A  
8X  
SCALE 2.000



FLAT ORIENTATION

INSTALLED ORIENTATION

SCALE 0.500

AR	SEI22-348	-1	PORT 6 WINDING FORM SEAL OUTER PLATE	G11		I
	CAGE CODE	PART OR IDENTIFYING NO	NOMENCLATURE OR DESCRIPTION	MATERIAL	SPECIFICATION	FIND NO
			NEXT ASSEMBLY	PARTS LIST		

NO REPRESENTATION OR WARRANTY, EXPRESSED OR IMPLIED, IS MADE AS TO THE ACCURACY, COMPLETENESS OR USEFULNESS OF THE INFORMATION OR STATEMENTS CONTAINED IN THESE DRAWINGS, OR THAT THE USE OR DISCLOSURE OF ANY INFORMATION, APPARATUS, METHOD OR PROCESS DISCLOSED IN THESE DRAWINGS MAY NOT INFRINGE PRIVATE RIGHTS OF OTHERS. NO LIABILITY IS ASSUMED WITH RESPECT TO THE USE OF, OR FOR DAMAGES RESULTING FROM THE USE OF, ANY INFORMATION, APPARATUS, METHOD OR PROCESS DISCLOSED IN THESE DRAWINGS. DRAWINGS MADE AVAILABLE FOR INFORMATION TO BIDDERS ARE NOT TO BE USED FOR OTHER PURPOSES, AND ARE TO BE RETURNED UPON REQUEST OF THE FORWARDING CONTRACTOR.

P THIS DRAWING PRODUCED ON PRO-ENGINEER

REV	DESCRIPTION	BY	DATE	CHK	DEPT	DATE	PE	REQ	DATE	ORNL	DOE	DATE
0	ORIGINAL ISSUE											
	REVISION OR ISSUE PURPOSE											

SCALE	NOTED	DES	P. L. GORANSON	08/05
TOLERANCES UNLESS OTHERWISE SPECIFIED		DRW	R. A. HURD	08/05
FRACTIONS		CHK		
XX DECIMALS ± .01		SECT		
XXX DECIMALS ± .005		DEPT		
ANGLES ± 0°15'		PE		
BREAK SHARP EDGES .06 MAX		CR		
FINISH UNLESS OTHERWISE SPECIFIED		PJ		
		RED		
		PPPL	DRFT	

UT-BATTELLE		Oak Ridge National Laboratory managed for the DEPARTMENT OF ENERGY under U.S. GOVERNMENT CONTRACT DE-AC05-00OR22725 UT-BATTELLE, LLC, Oak Ridge, Tennessee	
PROJECT NAME NATIONAL COMPACT STELLARATOR EXPERIMENT			
PART NAME PORT 6 WINDING FORM SEAL OUTER PLATE			
VERSION NO.	PLANT	BLOG	FL SHT OF TYPE CLASS
proj.version	ORNL	5700	3 1 1 S U
RELEASE LEVEL	SEI22-349		REV 0
proj.release			

8

7

6

5

4

3

2

1