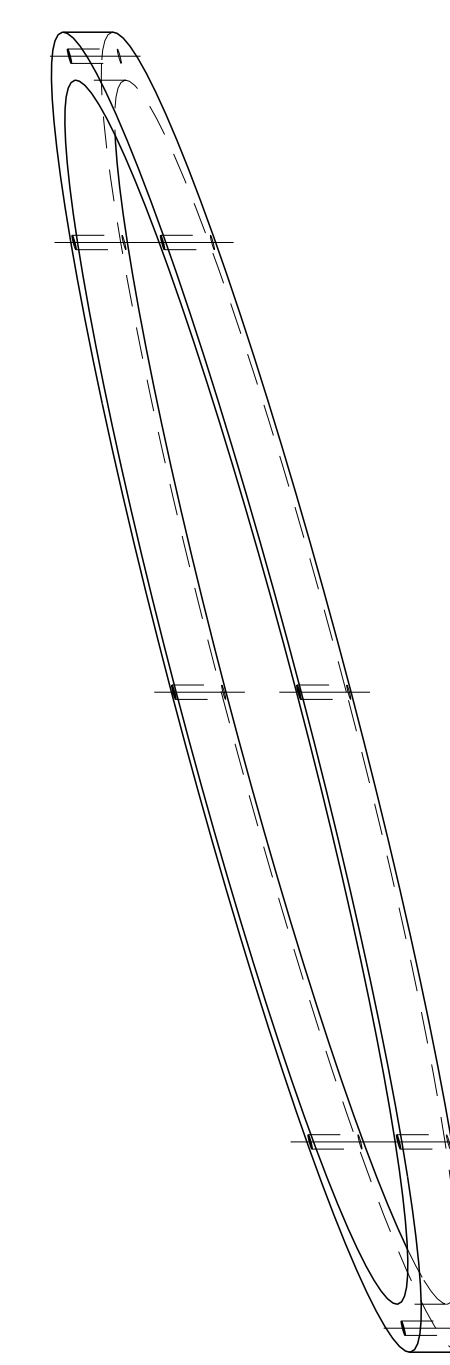
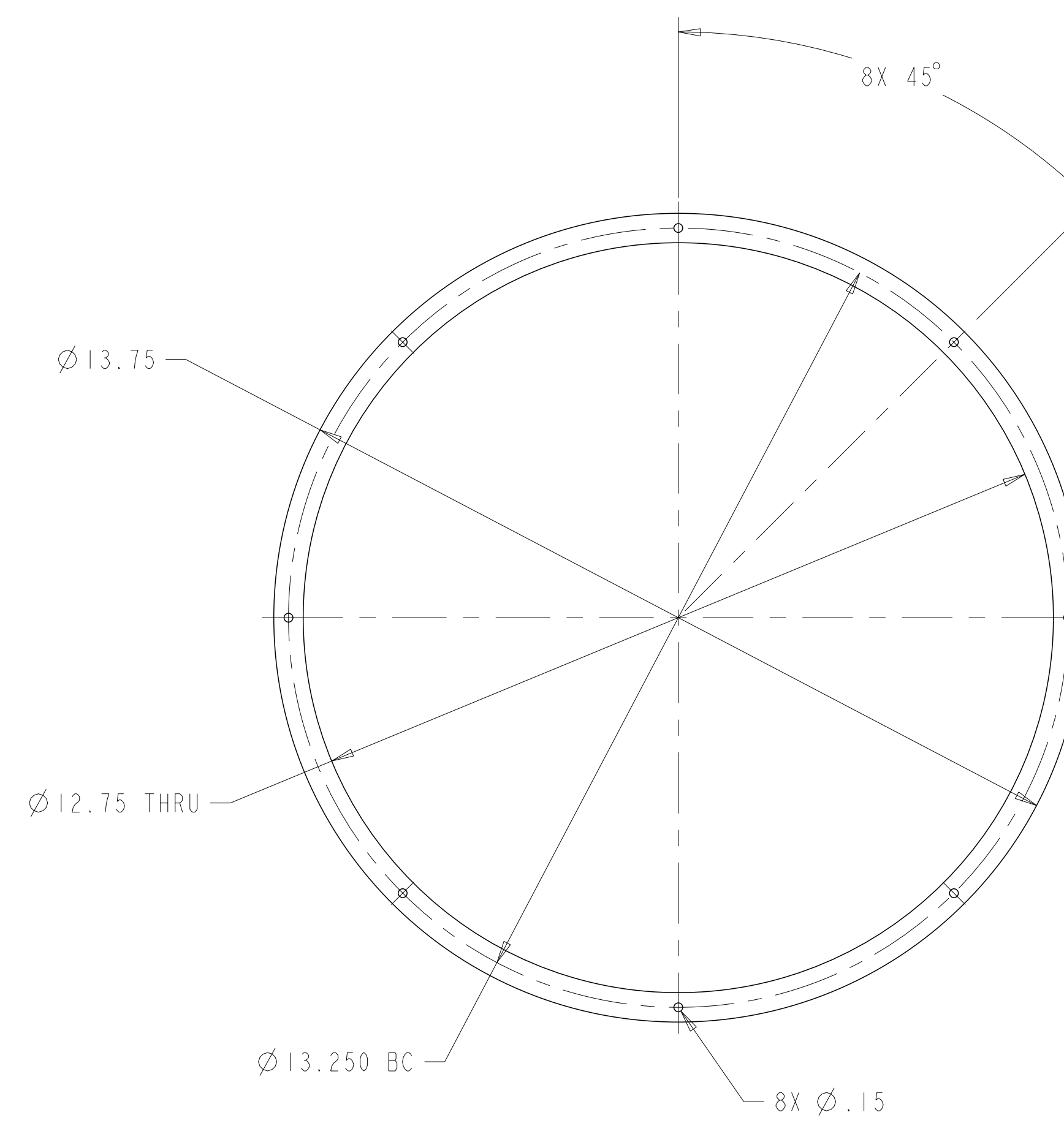
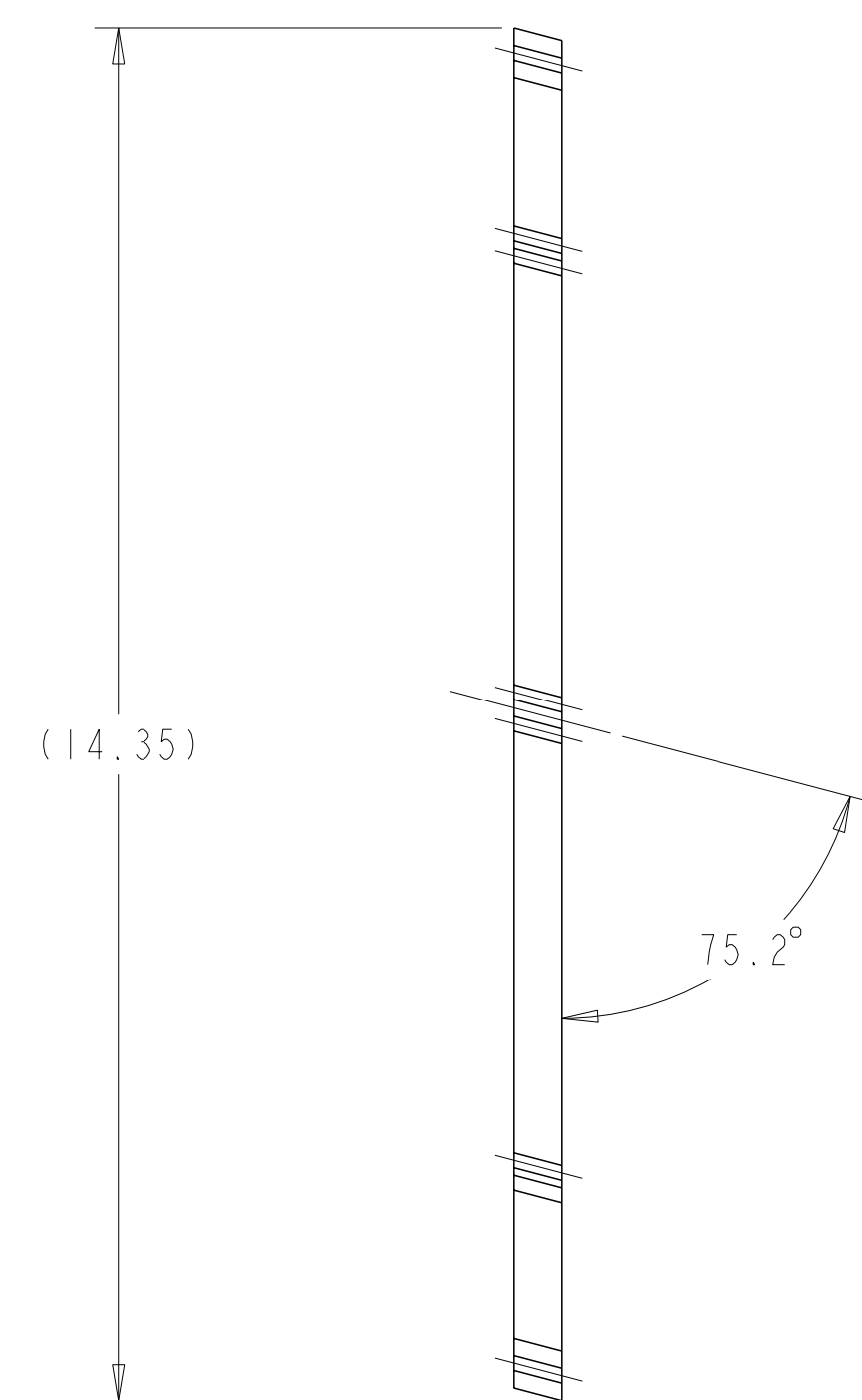
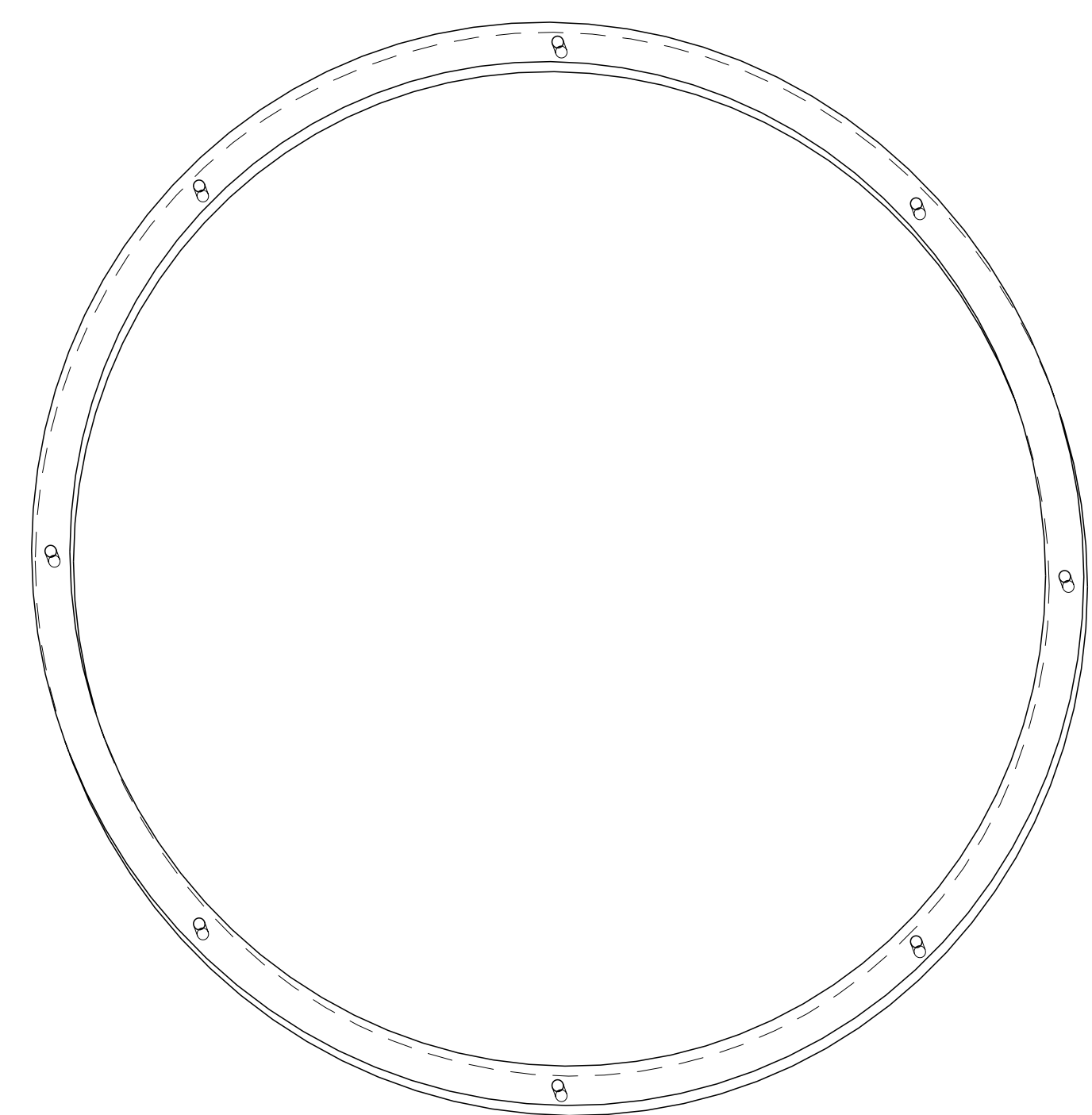
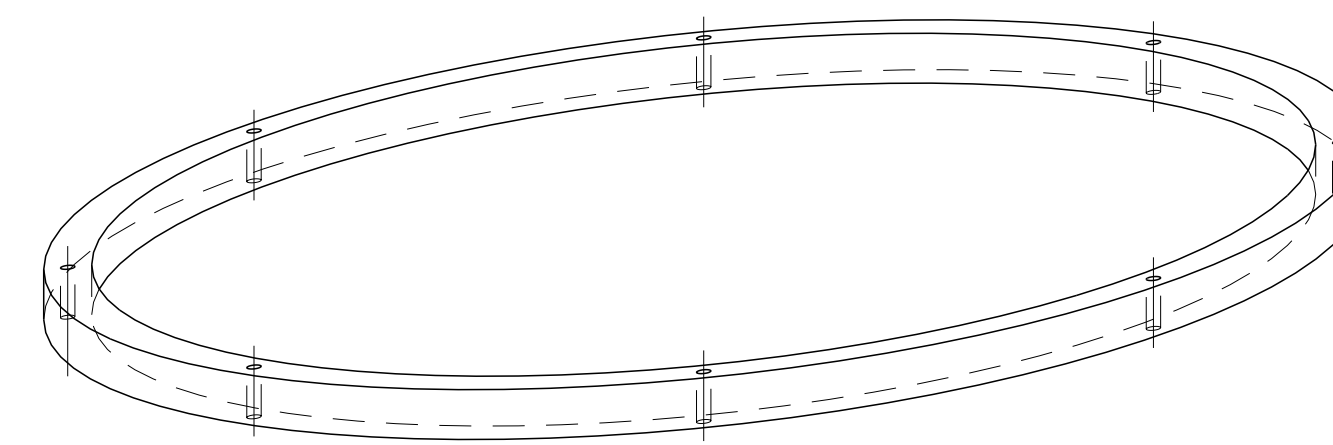
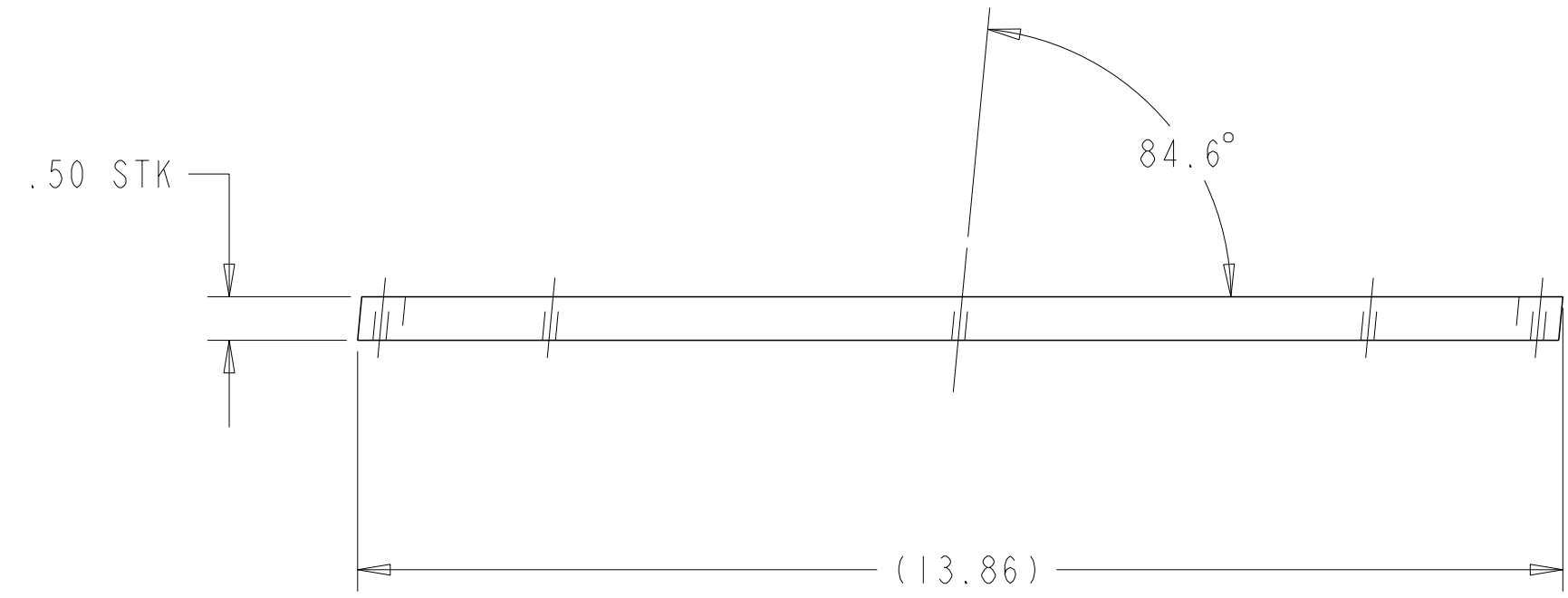


NOTES

1. INTERPRET DRAWING PER MECHANICAL ENGINEERING DRAFTING STANDARD ES-3.1-2.
2. INTERPRET DIMENSIONS AND TOLERANCES PER ANSI Y14.5M.
3. DIMENSIONS ARE IN IN OR MM.



FLAT ORIENTATION

INSTALLED ORIENTATION

SCALE 0.500

AR	SE122-348	-1	PORT 6 WINDING FORM SEAL INNER PLATE	G11		I
	CAGE CODE	PART OR IDENTIFYING NO	NOMENCLATURE OR DESCRIPTION	MATERIAL	SPECIFICATION	FIND NO
			NEXT ASSEMBLY	PARTS LIST		

NO REPRESENTATION OR WARRANTY, EXPRESSED OR IMPLIED, IS MADE AS TO THE ACCURACY, COMPLETENESS OR USEFULNESS OF THE INFORMATION OR STATEMENTS CONTAINED IN THESE DRAWINGS, OR THAT THE USE OR DISCLOSURE OF ANY INFORMATION, APPARATUS, METHOD OR PROCESS DISCLOSED IN THESE DRAWINGS MAY NOT INFRINGE PRIVATE RIGHTS OF OTHERS. NO LIABILITY IS ASSUMED WITH RESPECT TO THE USE OF, OR FOR DAMAGES RESULTING FROM THE USE OF, ANY INFORMATION, APPARATUS, METHOD OR PROCESS DISCLOSED IN THESE DRAWINGS. DRAWINGS MADE AVAILABLE FOR INFORMATION TO BIDDERS ARE NOT TO BE USED FOR OTHER PURPOSES, AND ARE TO BE RETURNED UPON REQUEST OF THE FORWARDING CONTRACTOR.

P THIS DRAWING PRODUCED ON PRO-ENGINEER

SCALE NOTED		DES	P.L. GORANSON	08/05	UT-BATTELLE				Oak Ridge National Laboratory managed for the DEPARTMENT OF ENERGY under U.S. GOVERNMENT CONTRACT DE-AC05-00OR22125 UT-BATTELLE, LLC, Oak Ridge, Tennessee				
TOLERANCES UNLESS OTHERWISE SPECIFIED		DRW	R.A. HURD	08/05	NATIONAL COMPACT STELLARATOR EXPERIMENT				PORT 2 WINDING FORM SEAL INNER PLATE				
FRACTIONS : ±.01		CHK			VERSION NO.	PLANT	BLOG	FL	SHT	OF	TYPE	CLASS	
XX DECIMALS ±.005		SECT			proj	version	ORNL	5700	3	1	I	S	
ANGLES ±0°15'		DEPT			release							REV	
BREAK SHARP EDGES .06 MAX		PE			SE122-350			0					
FINISH UNLESS OTHERWISE SPECIFIED		PJ			DRAWING APPROVALS			DATE					
		REG											
REV	DESCRIPTION	BY	DATE	CHK	DEPT	DATE	PE	REQ	DATE	DRNL	DOE	DATE	
0	ORIGINAL ISSUE												
REVISION OR ISSUE PURPOSE		REVISION APPROVAL											

SE122-350

A

B

C

D

E

F

G

H

H

G

F

E

D

C

B

A