

8

7

6

5

↓

4

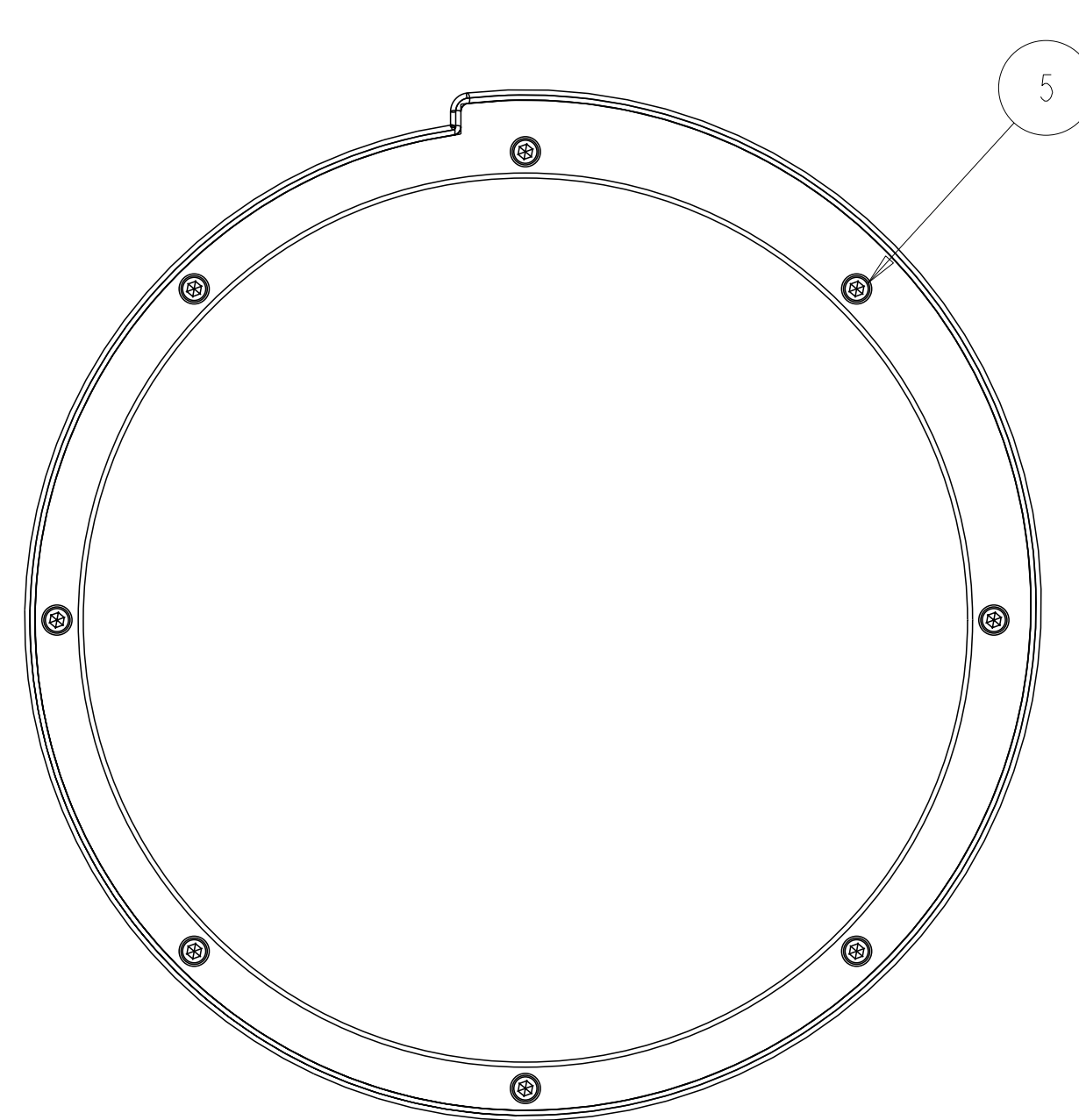
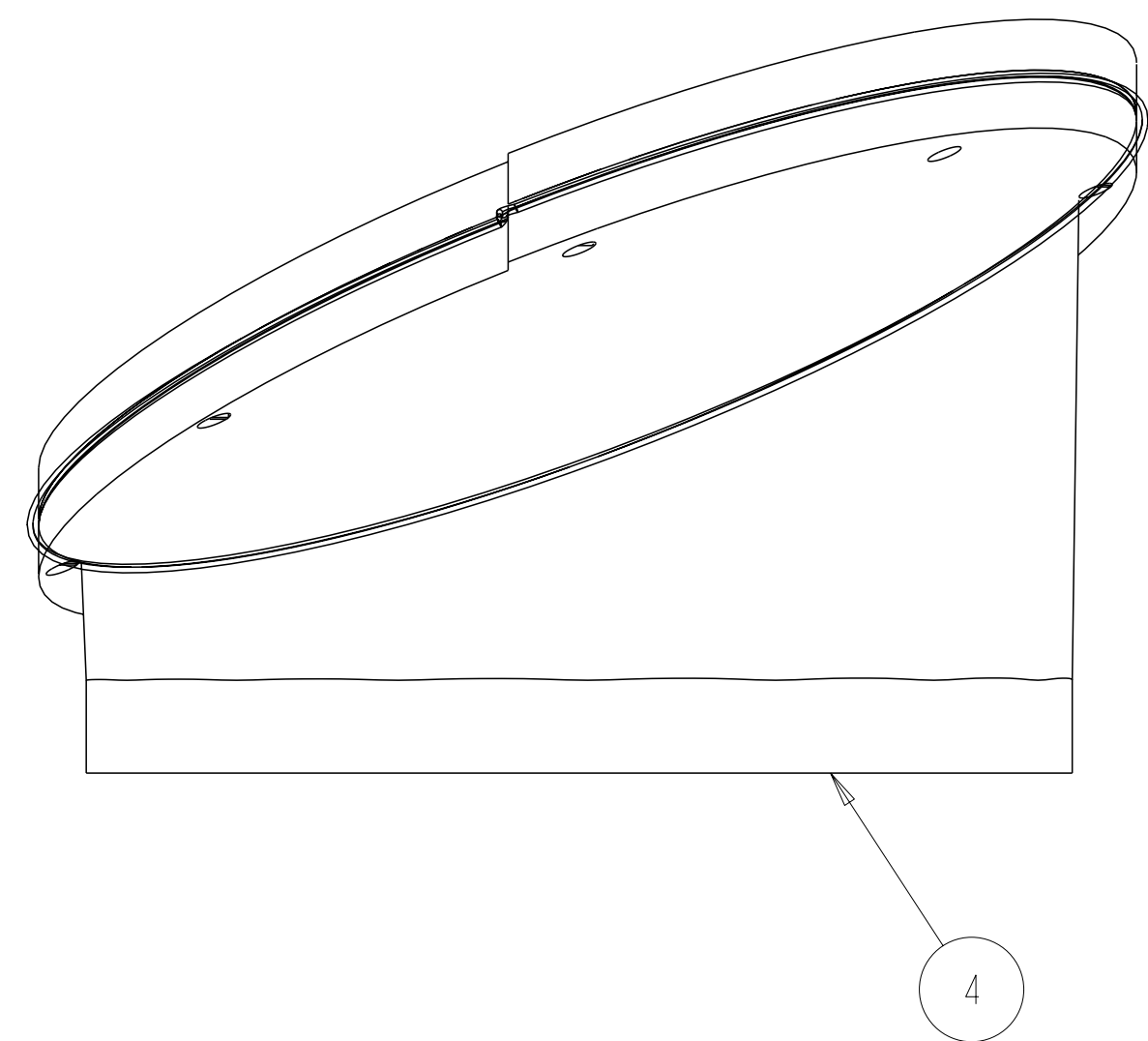
3

2

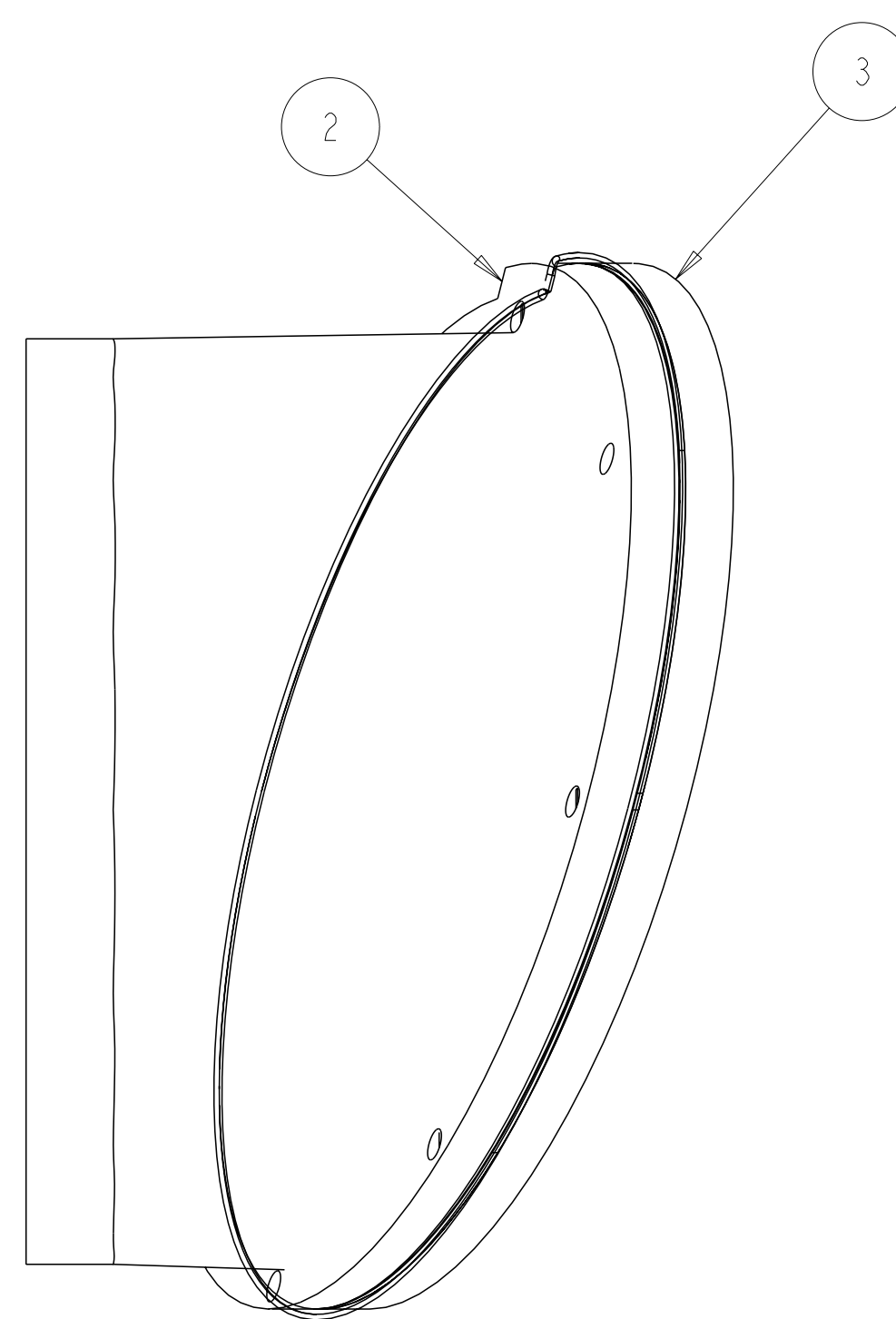
1

NEXT ASS'Y: 1 FINAL ASS'Y:

- NOTES
1. INTERPRET DRAWING PER MECHANICAL ENGINEERING DRAFTING STANDARD ES-3.1-2.
 2. INTERPRET DIMENSIONS AND TOLERANCES PER ANSI Y14.5M.
 3. DIMENSIONS ARE IN IN OR MM.



SCALE 0.500



REV	DESCRIPTION	BY	DATE	CHK	DEPT	DATE	PE	REQ	DATE	ORNL	DOE	DATE	REV
0	ORIGINAL ISSUE												

REV	DESCRIPTION	BY	DATE	CHK	DEPT	DATE	PE	REQ	DATE	ORNL	DOE	DATE	REV
0	ORIGINAL ISSUE												

SCALE	NOTED	DES	P.L. GORANSON	08/05
TOLERANCES UNLESS OTHERWISE SPECIFIED	CHK	R. A. HURD		08/05
FRACTIONS	SECT			
XX DECIMALS ±.01	DEPT			
XXX DECIMALS ±.005	PE			
ANGLES ±0°15'	CR			
BREAK SHARP EDGES .06 MAX	PJ			
FINISH .125 UNLESS OTHERWISE SPECIFIED	RED			
	PPPL DRFT			

CAGE CODE	PART OR IDENTIFYING NO	NOMENCLATURE OR DESCRIPTION	MATERIAL	SPECIFICATION	FIND NO

REV	DESCRIPTION	BY	DATE	CHK	DEPT	DATE	PE	REQ	DATE	ORNL	DOE	DATE	REV
0	ORIGINAL ISSUE												

SCALE	NOTED	DES	P.L. GORANSON	08/05
TOLERANCES UNLESS OTHERWISE SPECIFIED	CHK	R. A. HURD		08/05
FRACTIONS	SECT			
XX DECIMALS ±.01	DEPT			
XXX DECIMALS ±.005	PE			
ANGLES ±0°15'	CR			
BREAK SHARP EDGES .06 MAX	PJ			
FINISH .125 UNLESS OTHERWISE SPECIFIED	RED			
	PPPL DRFT			

VERSION NO.	PLANT	BLDG	FL	SHT	OF	TYPE	CLASS
1	ORNL	5700	3	1	1	A	U

RELEASE LEVEL	SEI 22-352	REV
prol.release		0

NO REPRESENTATION OR WARRANTY, EXPRESSED OR IMPLIED, IS MADE AS TO THE ACCURACY, COMPLETENESS OR USEFULNESS OF THE INFORMATION OR STATEMENTS CONTAINED IN THESE DRAWINGS, OR THAT THE USE OR DISCLOSURE OF ANY INFORMATION, APPARATUS, METHOD OR PROCESS DISCLOSED IN THESE DRAWINGS MAY NOT INFRINGE PRIVATE RIGHTS OF OTHERS. NO LIABILITY IS ASSUMED WITH RESPECT TO THE USE OF, OR FOR DAMAGES RESULTING FROM THE USE OF, ANY INFORMATION, APPARATUS, METHOD OR PROCESS DISCLOSED IN THESE DRAWINGS. DRAWINGS MADE AVAILABLE FOR INFORMATION TO BIDDERS ARE NOT TO BE USED FOR OTHER PURPOSES, AND ARE TO BE RETURNED UPON REQUEST OF THE FORWARDING CONTRACTOR.

P THIS DRAWING PRODUCED ON PRO-ENGINEER

Oak Ridge National Laboratory managed for the DEPARTMENT OF ENERGY under U.S. GOVERNMENT CONTRACT DE-AC05-00OR22225 UT-BATTELLE, LLC, Oak Ridge, Tennessee

UT-BATTELLE

NATIONAL COMPACT STELLARATOR EXPERIMENT

PORT 7 WINDING FORM SEAL ASSEMBLY

VERSION NO. 1 PLANT ORNL BLDG 5700 FL 3 SHT 1 OF 1 TYPE A CLASS U

RELEASE LEVEL: prol.release SEI 22-352 REV 0

SEI 22-352