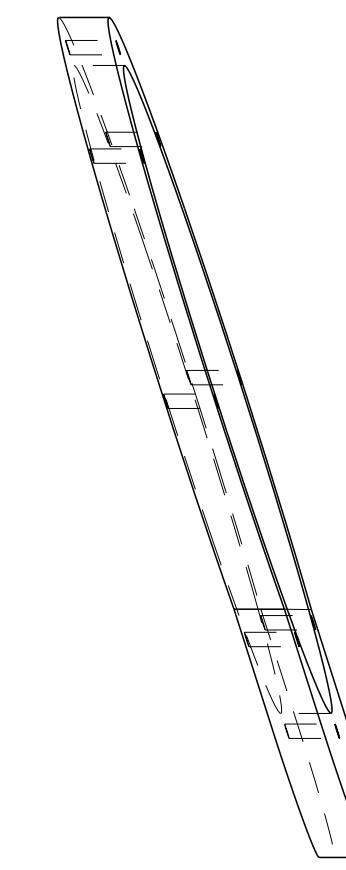
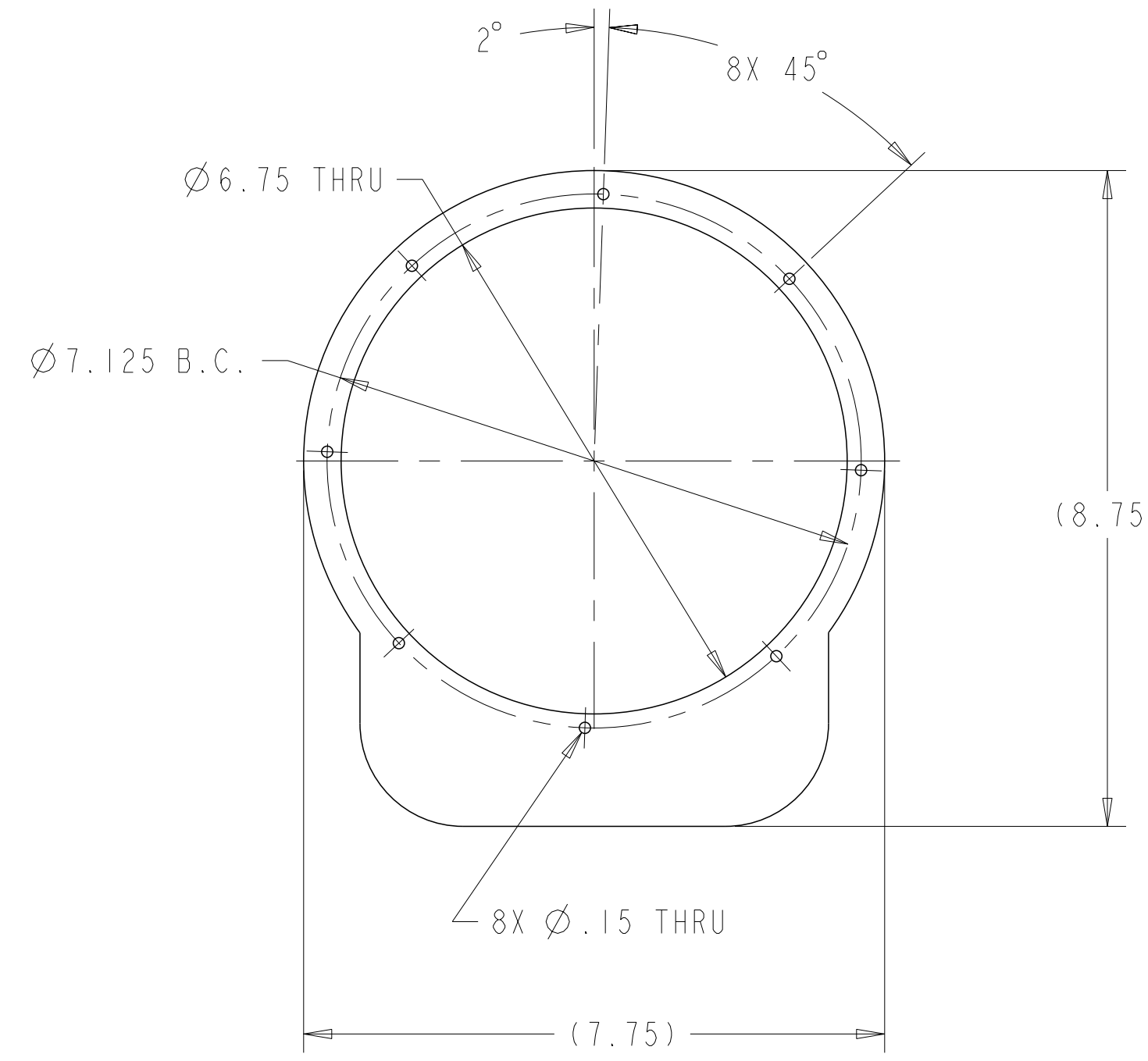
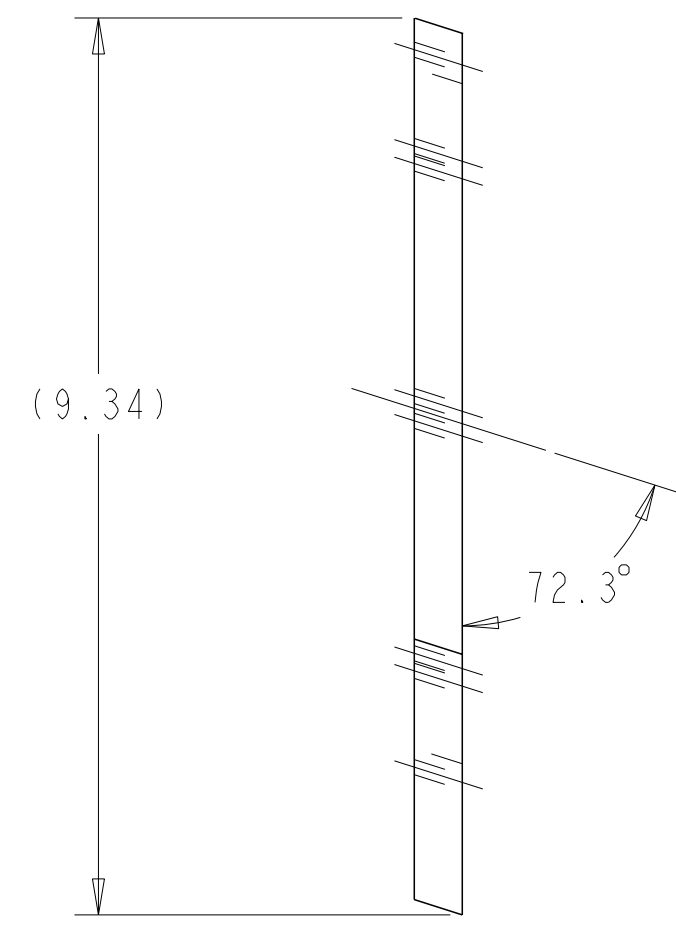
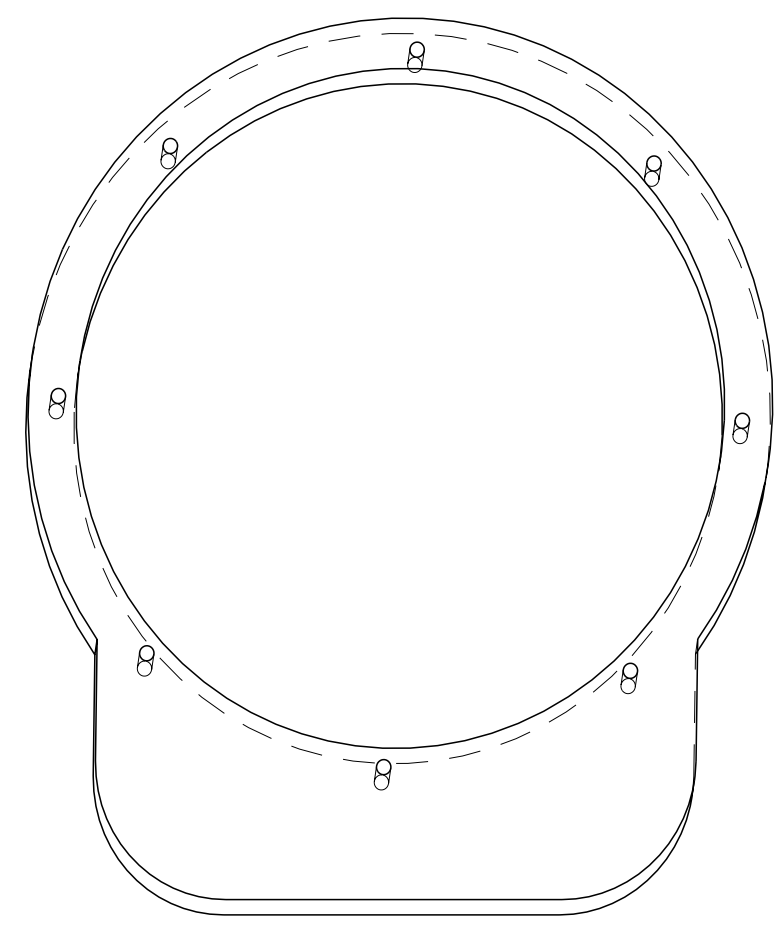
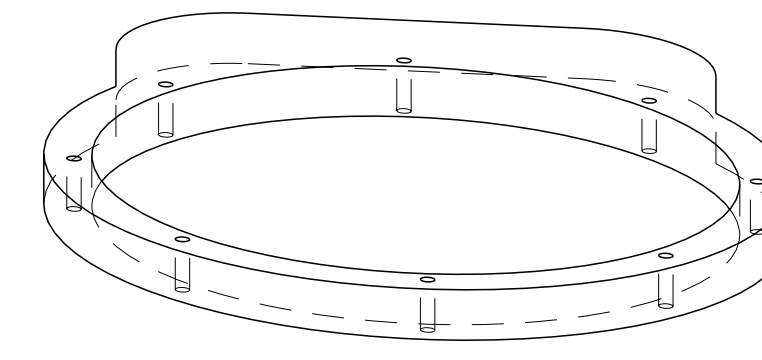
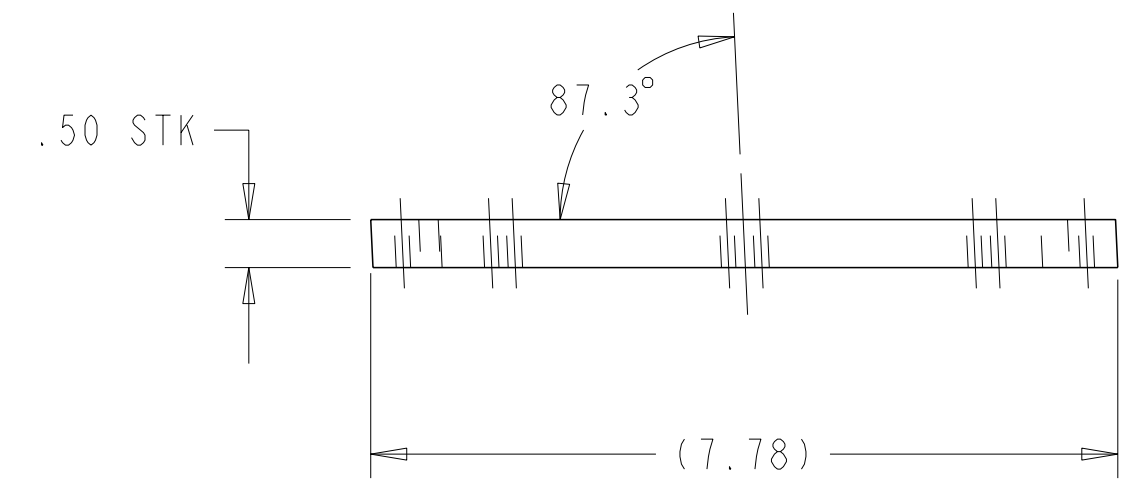


- NOTES
1. INTERPRET DRAWING PER MECHANICAL ENGINEERING DRAFTING STANDARD ES-3.1-2.
 2. INTERPRET DIMENSIONS AND TOLERANCES PER ANSI Y14.5M.
 3. DIMENSIONS ARE IN IN OR MM.



FLAT ORIENTATION

INSTALLED ORIENTATION

SCALE 0.500

AR	X	-1	PORT II WINDING FORM SEAL INNER PLATE	G11		I	
SE122-368		CAGE CODE	PART OR IDENTIFYING NO	NOMENCLATURE OR DESCRIPTION	MATERIAL	SPECIFICATION	FIND NO
				NEXT ASSEMBLY	PARTS LIST		

NO REPRESENTATION OR WARRANTY, EXPRESSED OR IMPLIED, IS MADE AS TO THE ACCURACY, COMPLETENESS OR USEFULNESS OF THE INFORMATION OR STATEMENTS CONTAINED IN THESE DRAWINGS, OR THAT THE USE OR DISCLOSURE OF ANY INFORMATION, APPARATUS, METHOD OR PROCESS DISCLOSED IN THESE DRAWINGS MAY NOT INFRINGE PRIVATE RIGHTS OF OTHERS. NO LIABILITY IS ASSUMED WITH RESPECT TO THE USE OF, OR FOR DAMAGES RESULTING FROM THE USE OF, ANY INFORMATION, APPARATUS, METHOD OR PROCESS DISCLOSED IN THESE DRAWINGS. DRAWINGS MADE AVAILABLE FOR INFORMATION TO BIDDERS ARE NOT TO BE USED FOR OTHER PURPOSES, AND ARE TO BE RETURNED UPON REQUEST OF THE FORWARDING CONTRACTOR.

P THIS DRAWING PRODUCED ON PRO-ENGINEER

REV	DESCRIPTION	BY	DATE	CHK	DEPT	DATE	PE	REQ	DATE	ORNL	DOE	DATE
0	ORIGINAL ISSUE											

SCALE	NOTED	DES	P. L. GORANSON	09/05
TOLERANCES UNLESS OTHERWISE SPECIFIED		DRW	R. A. HURD	09/05
FRACTIONS		CHK		
XX DECIMALS ±.01		SECT		
XXX DECIMALS ±.005		DEPT		
ANGLES ±0°15'		PE		
BREAK SHARP EDGES .06 MAX FINISH .125 UNLESS OTHERWISE SPECIFIED		CR		
		PJ		
		RED		
		PPPL	DRFT	

UT-BATTELLE				Oak Ridge National Laboratory managed for the DEPARTMENT OF ENERGY under U.S. GOVERNMENT CONTRACT DE-AC05-00OR22125 UT-BATTELLE, LLC, Oak Ridge, Tennessee			
PROJECT NAME							
NATIONAL COMPACT STELLARATOR EXPERIMENT							
PORT II WINDING FORM SEAL INNER PLATE							
VERSION NO.	PLANT	BLDG	FL	SHT	OF	TYPE	CLASS
proj.version	ORNL	BLDG	FLOOR	1	1	I	TYPE CLASS
RELEASE LEVEL	proj.release		SE122-370		REV 0		