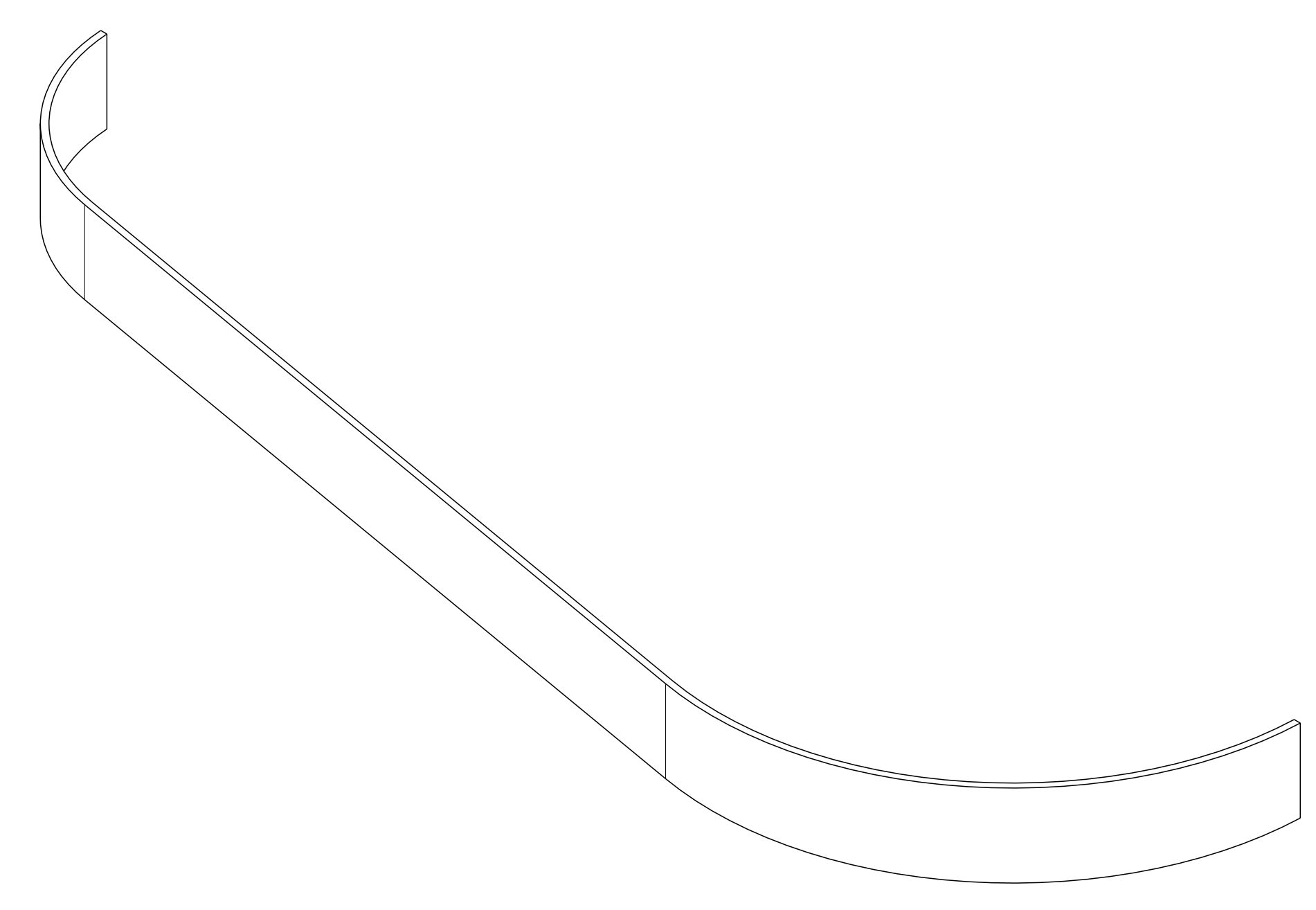
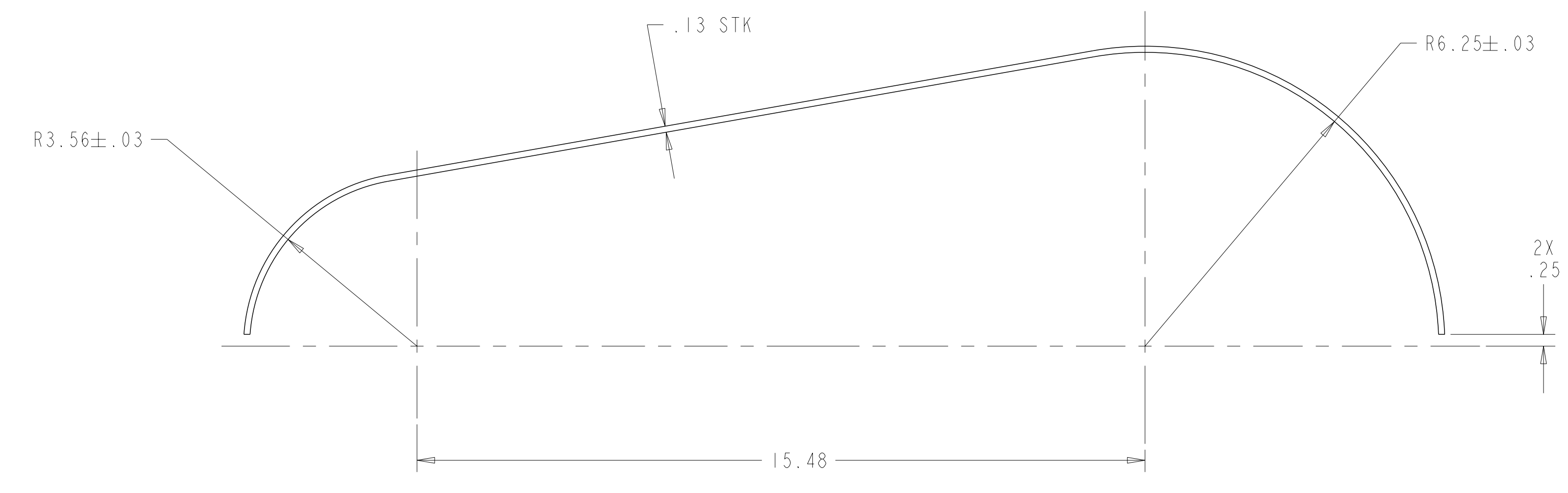


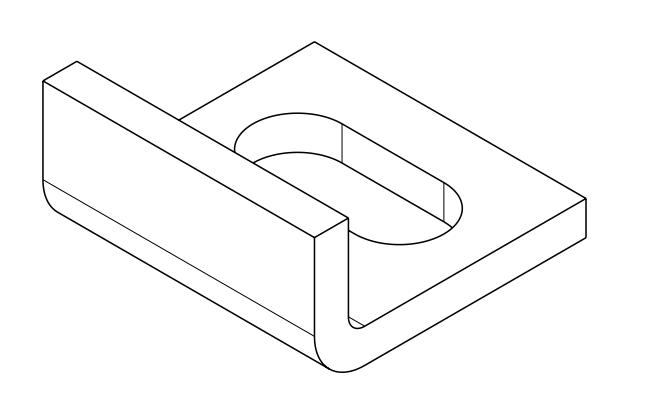
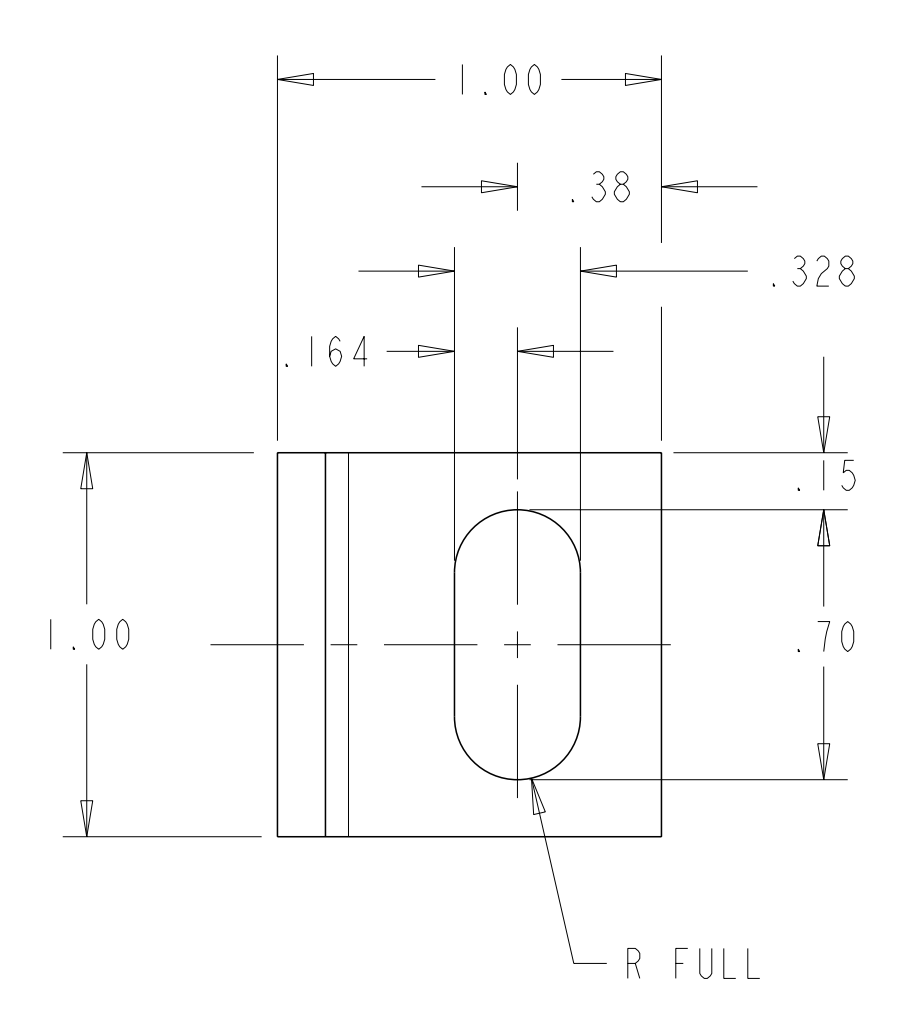
NOTES
 1. INTERPRET DIMENSIONS AND TOLERANCES PER ANSI Y14.5M.
 2. DIMENSIONS ARE IN INCHES



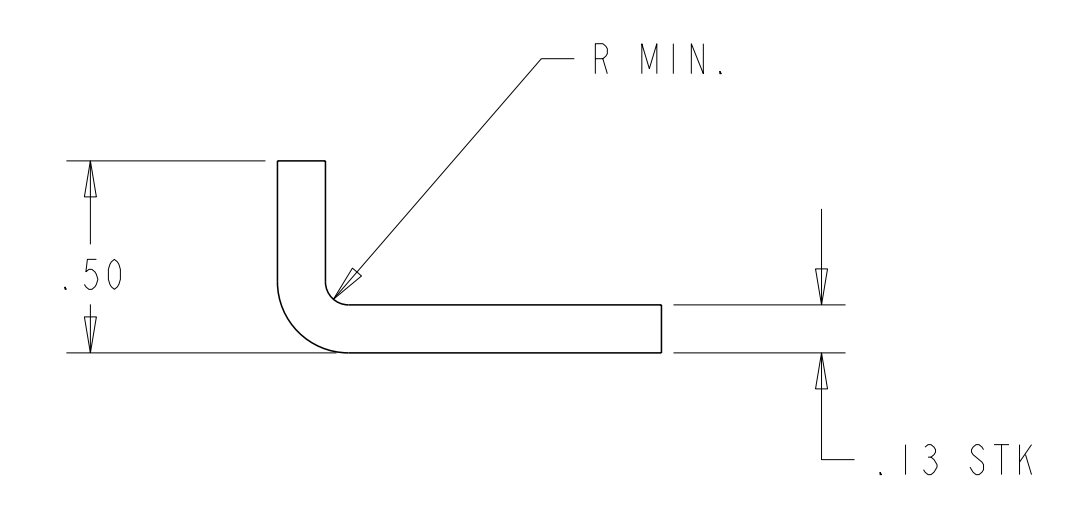
ISOMETRIC VIEW
 SCALE 0.500



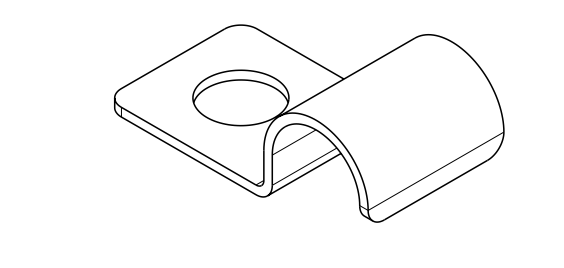
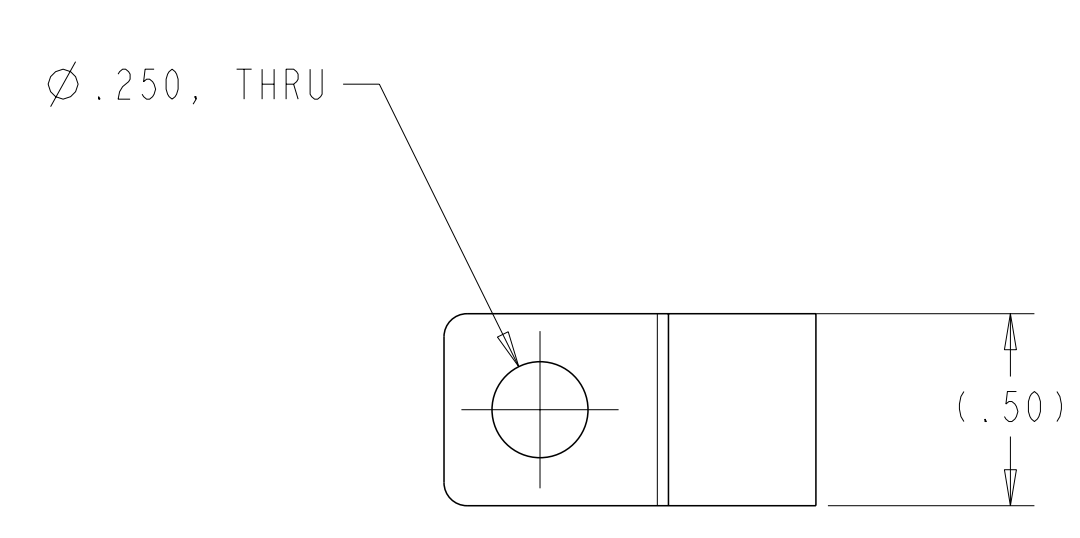
1 SCALE: 2.00



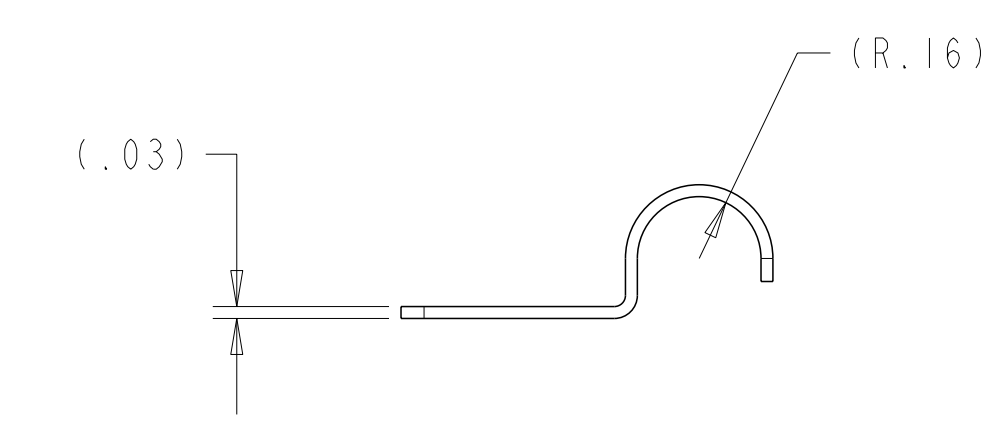
ISOMETRIC VIEW
 SCALE 2.000



2 SCALE: 2.00



ISOMETRIC VIEW
 SCALE 2.000



3 SCALE: 2.00

AR	AR	9488T18	BRASS ONE-HOLE STRAP (MODIFIED)	MCMASTER-CARR P.O. BOX 54960 LOS ANGELES, CA. 90054-0960	3		
AR	AR	-2	MOUNTING BRACKET	316 SST ANNEALED ASTM A240	2		
AR	AR	-1	MOUNTING SUPPORT	316 SST ANNEALED ASTM A240	1		
SE123-170	SE123-171	CAGE CODE	PART OR IDENTIFYING NO	NOMENCLATURE OR DESCRIPTION	MATERIAL	SPECIFICATION	FIND NO
SE123-049			NEXT ASSEMBLY				PARTS LIST

NO REPRESENTATION OR WARRANTY, EXPRESSED OR IMPLIED, IS MADE AS TO THE ACCURACY, COMPLETENESS OR USEFULNESS OF THE INFORMATION OR STATEMENTS CONTAINED IN THESE DRAWINGS, OR THAT THE USE OR DISCLOSURE OF ANY INFORMATION, APPARATUS, METHOD OR PROCESS DISCLOSED IN THESE DRAWINGS MAY NOT INFRINGE PRIVATE RIGHTS OF OTHERS. NO LIABILITY IS ASSUMED WITH RESPECT TO THE USE OF, OR FOR DAMAGES RESULTING FROM THE USE OF, ANY INFORMATION, APPARATUS, METHOD OR PROCESS DISCLOSED IN THESE DRAWINGS. DRAWINGS MADE AVAILABLE FOR INFORMATION TO BIDDERS ARE NOT TO BE USED FOR OTHER PURPOSES, AND ARE TO BE RETURNED UPON REQUEST OF THE FORWARDING CONTRACTOR.

P THIS DRAWING PRODUCED ON PRO-ENGINEER

REV	DESCRIPTION	BY	DATE	CHK	DEPT	DATE	PE	REQ	DATE	ORNL	DOE	DATE
0	ORIGINAL ISSUE											
	REVISION OR ISSUE PURPOSE											

SCALE	NOTED	DES	P. L. GORANSON	04/28/05
TOLERANCES UNLESS OTHERWISE SPECIFIED		DRW	G. H. JONES	04/28/05
FRACTIONS		CHK	S. PARSON	05/05
XX DECIMALS ±.03		SECT		
XXX DECIMALS ±.005		DEPT		
ANGLES ±0°15'		PE		
BREAK SHARP EDGES .06 MAX		CR		
FINISH .125 UNLESS OTHERWISE SPECIFIED		PJ		
		RED		
		PPPL	DRFT	

UT-BATTELLE										Oak Ridge National Laboratory managed for the DEPARTMENT OF ENERGY under U.S. GOVERNMENT CONTRACT DE-AC05-00OR22725 UT-BATTELLE, LLC, Oak Ridge, Tennessee									
NATIONAL COMPACT STELLARATOR EXPERIMENT										PROJECT NAME									
VACUUM VESSEL HEATING/COOLING MISCELLANEOUS DETAILS										PROJECT NAME									
VERSION NO.	PLANT	BLOG	FL	SHT	OF	TYPE	CLASS	PROJ. VERSION	PLANT	BLOG	FL	SHT	OF	TYPE	CLASS				
	X10	5700	3	1	1	S	U		X10	5700	3	1	1	S	U				
RELEASE LEVEL	SE123-172																		
proj.release																			
	REV 0																		