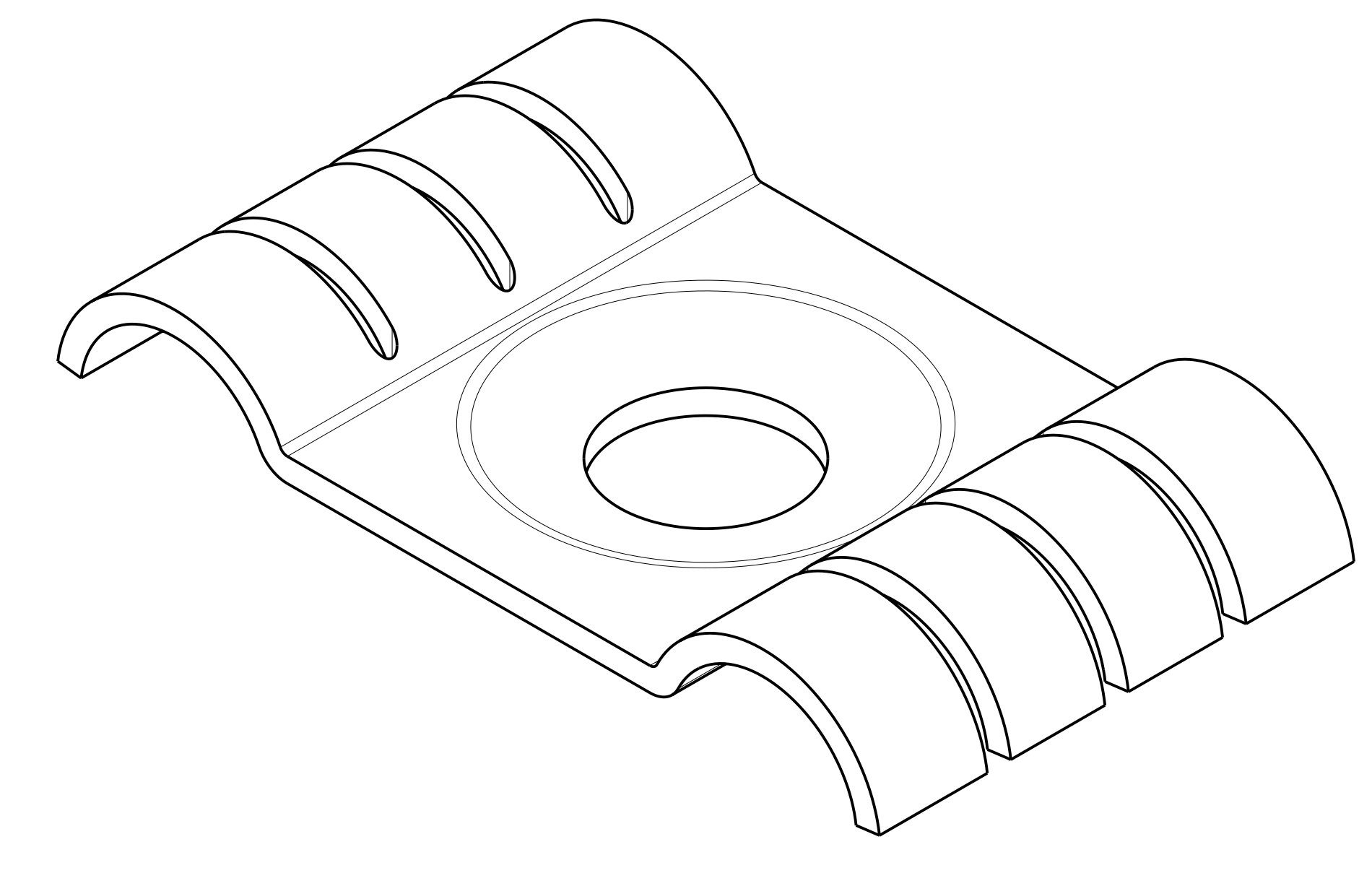
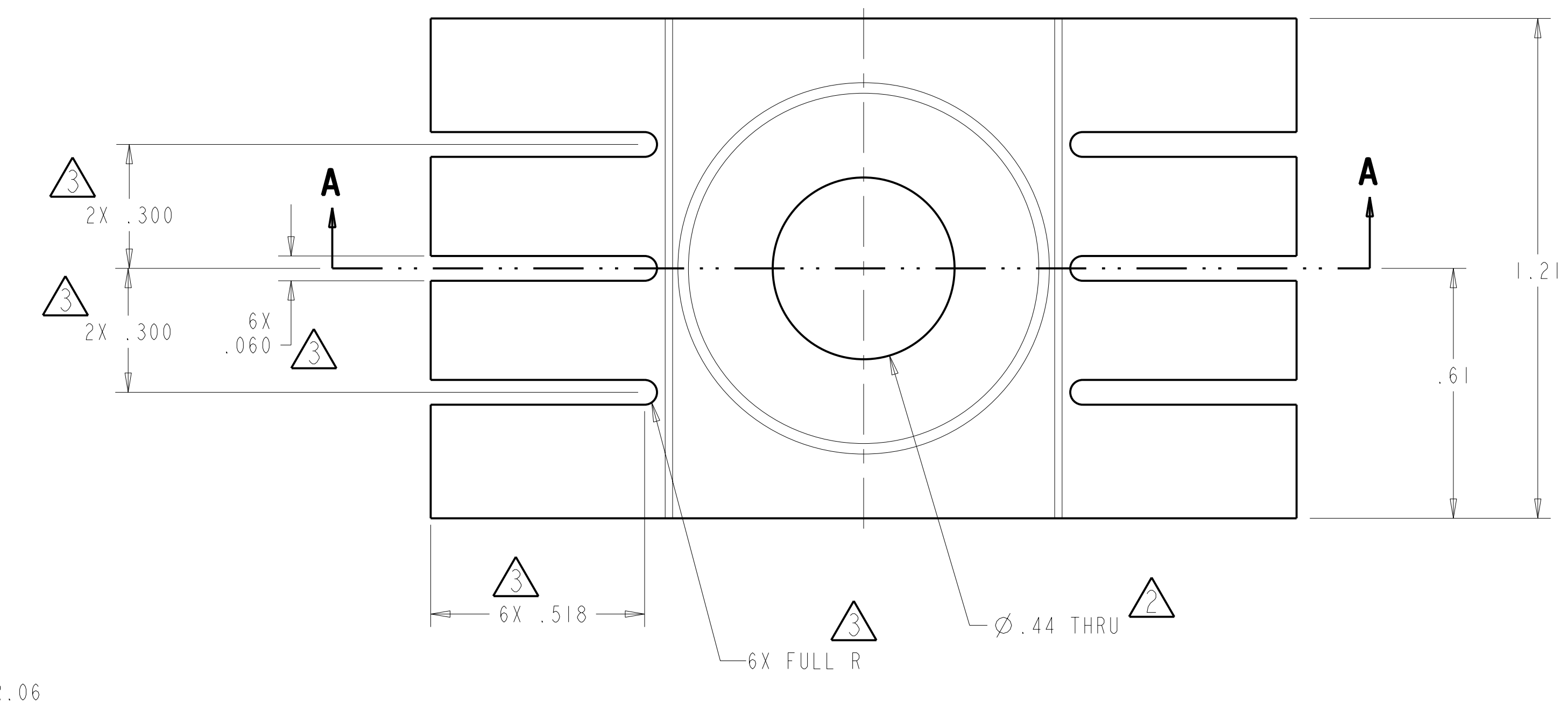
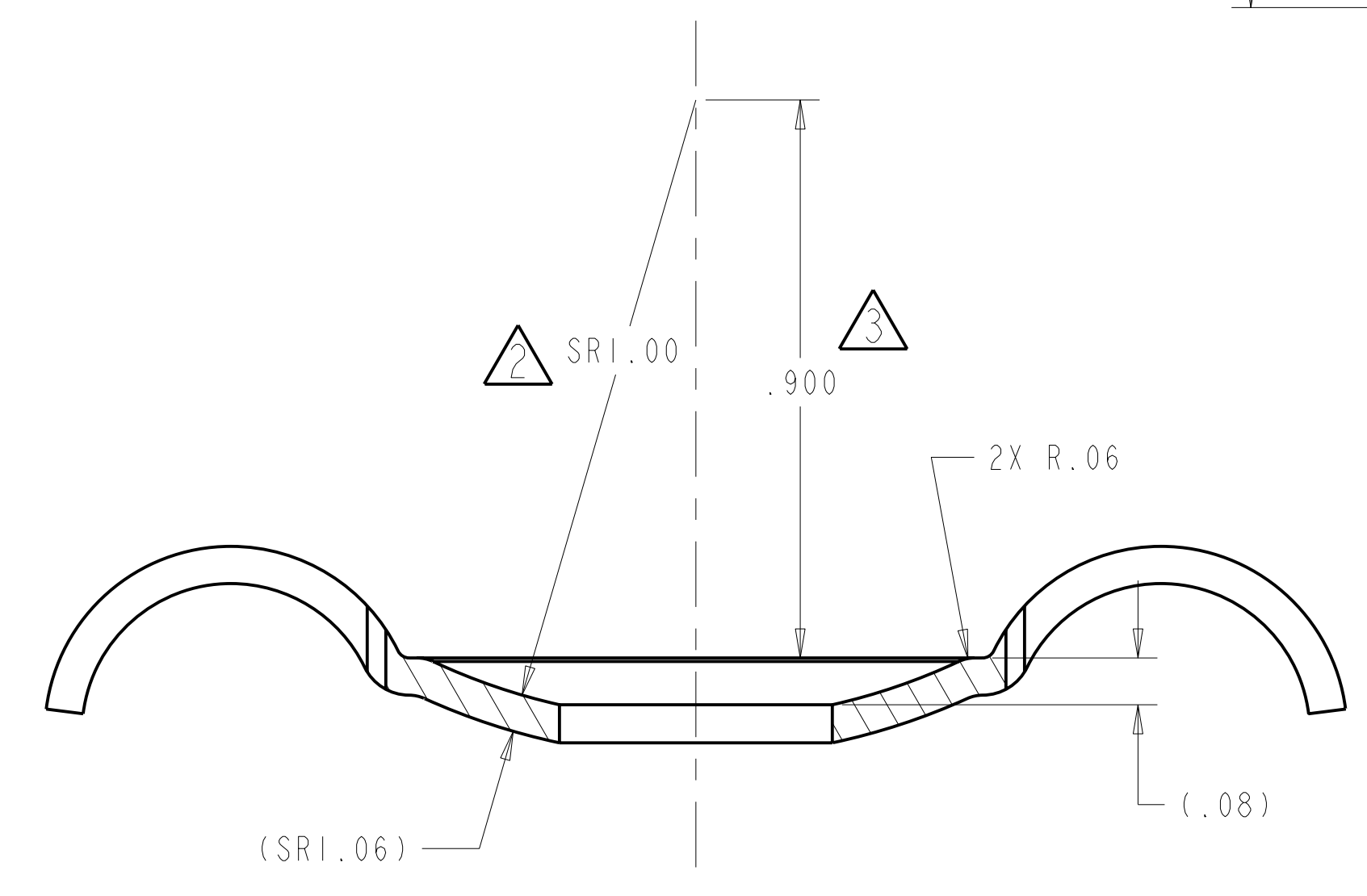


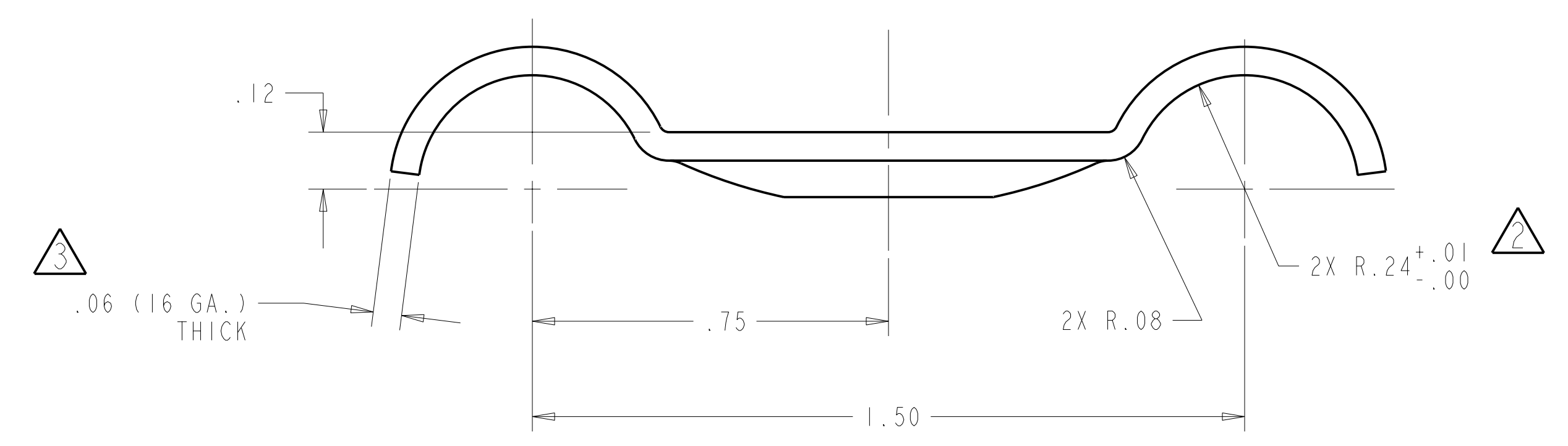
NOTES
 1. INTERPRET DIMENSIONS AND TOLERANCES PER ANSI Y14.5M.
 2. DIMENSIONS ARE IN INCHES.



ISOMETRIC VIEW



SECTION A-A



-1 STRAP
 SCALE 4.00

AR	CAGE CODE	PART OR IDENTIFYING NO	NOMENCLATURE OR DESCRIPTION	MATERIAL	SPECIFICATION	FIND NO
SE123-008	-	-1	STRAP	316L SST	ASTM A240	1
			NEXT ASSEMBLY	PARTS LIST		

NO REPRESENTATION OR WARRANTY, EXPRESSED OR IMPLIED, IS MADE AS TO THE ACCURACY, COMPLETENESS OR USEFULNESS OF THE INFORMATION OR STATEMENTS CONTAINED IN THESE DRAWINGS, OR THAT THE USE OR DISCLOSURE OF ANY INFORMATION, APPARATUS, METHOD OR PROCESS DISCLOSED IN THESE DRAWINGS MAY NOT INFRINGE PRIVATE RIGHTS OF OTHERS. NO LIABILITY IS ASSUMED WITH RESPECT TO THE USE OF, OR FOR DAMAGES RESULTING FROM THE USE OF, ANY INFORMATION, APPARATUS, METHOD OR PROCESS DISCLOSED IN THESE DRAWINGS. DRAWINGS MADE AVAILABLE FOR INFORMATION TO BIDDER ARE NOT TO BE USED FOR OTHER PURPOSES, AND ARE TO BE RETURNED UPON REQUEST OF THE FORWARDING CONTRACTOR.

P THIS DRAWING PRODUCED ON PRO-ENGINEER

REV	DESCRIPTION	BY	DATE	CHK	DEPT	DATE	PE	REQ	DATE	ORNL	DOE	DATE
3	PER ECN NO. TBD	GWM	08/18/05									
2	PER ECN NO. 5038	MTB	02/14/05	MJC		12/05						
1	PER ECN NO. 5003	MJC	02/23/04	PLG								

SCALE NOTED		DES	DATE
TOLERANCES UNLESS OTHERWISE SPECIFIED		P. GORANSON	4-22-05
FRACTIONS		G. MCGINNIS	4-22-05
XX DECIMALS ±.01		G. H. JONES	05-04-05
XXX DECIMALS ±.005			
ANGLES ±0°15'			
BREAK SHARP EDGES OR MAX FINISH			

UT-BATTELLE		Oak Ridge National Laboratory	
NATIONAL COMPACT STELLARATOR EXPERIMENT		managed for the DEPARTMENT OF ENERGY under U.S. GOVERNMENT contract DE-AC05-00OR22725	
VACUUM VESSEL HEATING/COOLING STRAP		UT-BATTELLE, LLC, Oak Ridge, Tennessee	
DETAIL			
VERSION NO.	PLANT	BLDG	FL
5+	ORNL	5700	3
REVISION	SHT	OF	TYPE
WIP	1	1	S
RELEASE LEVEL		CLASS	
WIP		U	
SE123-054		REV 3	