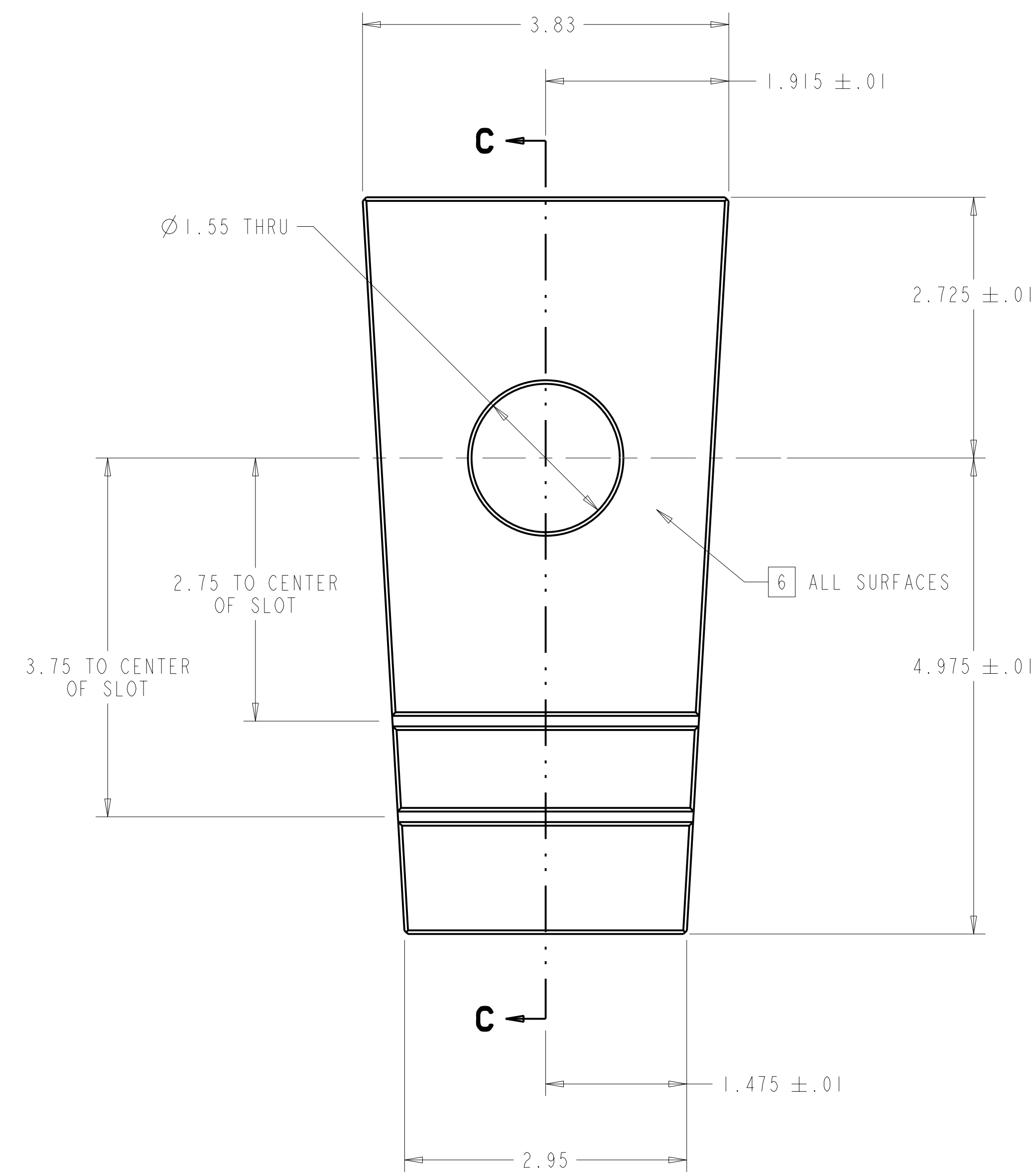
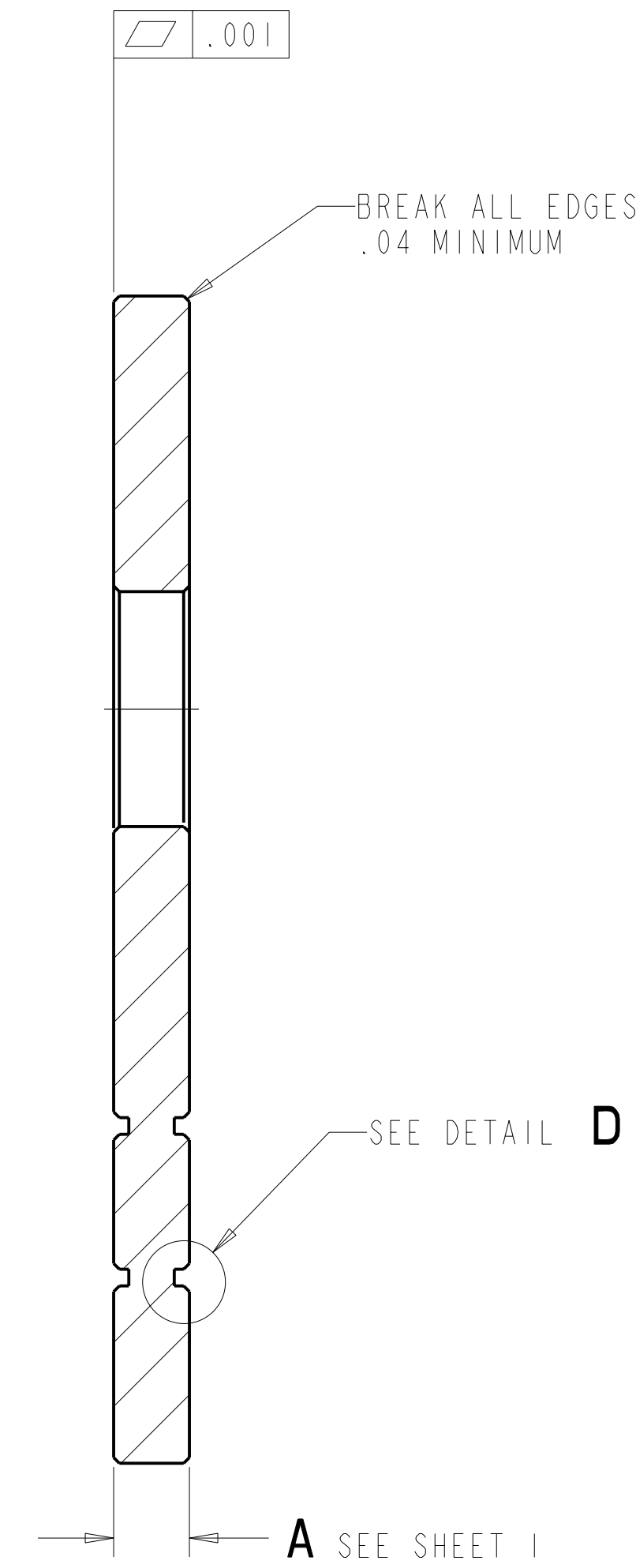


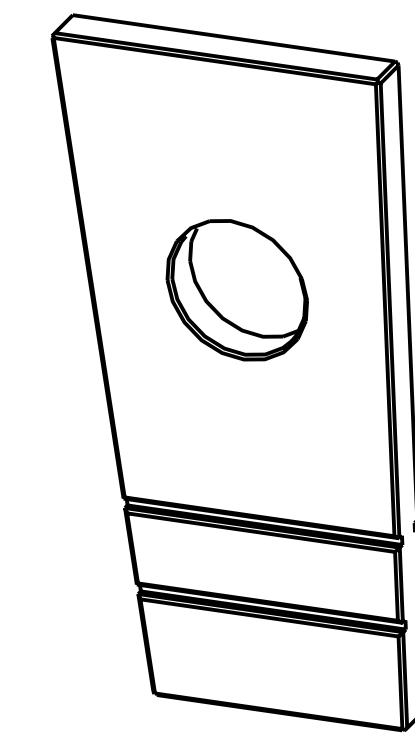
DETAIL D
SCALE 4.00



SCALE 1.00



SECTION C-C



ISOMETRIC VIEW
SCALE 0.50

NOTE: DIMENSIONS SHOWN ON THIS SHEET ARE FOR NON-COATED PART
SEE SHEET 1 FOR ADDITIONAL NOTES AND SPECIFICATIONS

Oak Ridge National Laboratory managed for the DEPARTMENT OF ENERGY under U.S. GOVERNMENT contract DE-AC05-00OR22725 UT-BATTELLE, LLC. Oak Ridge, Tennessee									
UT-BATTELLE									
PROJECT NAME NATIONAL COMPACT STELLARATOR EXPERIMENT									
PART NAME SINGLE HOLE SHIM PLATE									
VERSION NO. 18	PLANT ORNL	BLDG 5700	FL 3	SHT OF 2	TYPE S	CLASS U			
RELEASE LEVEL Fabrication		SE140-040					REV 0		