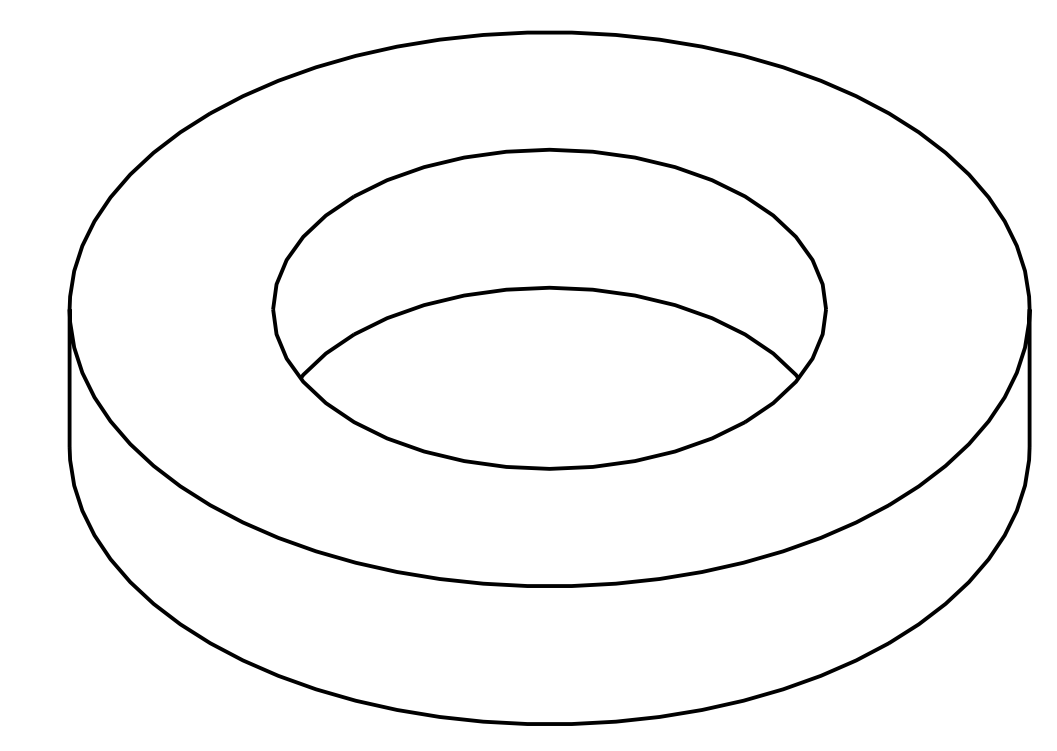
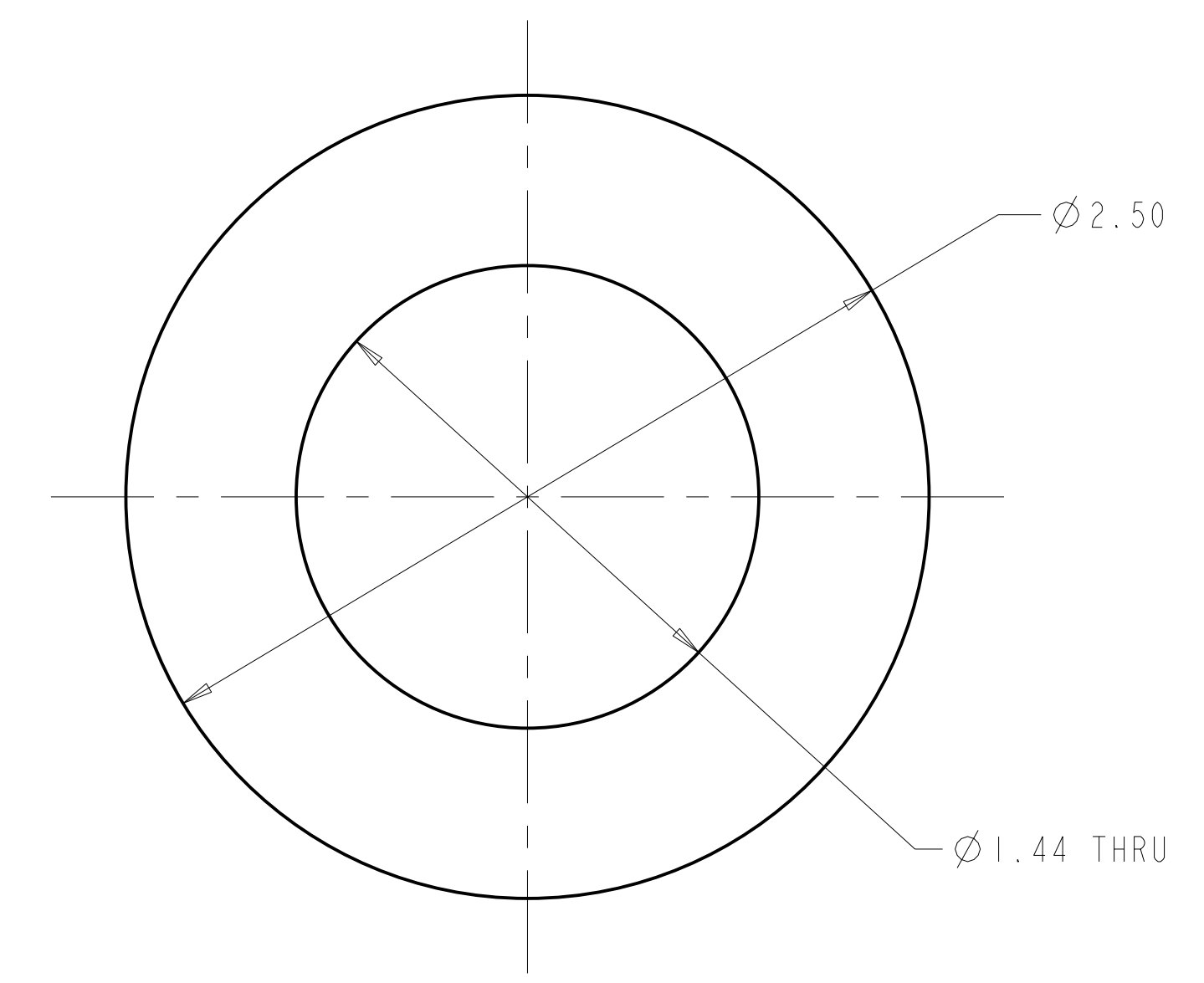
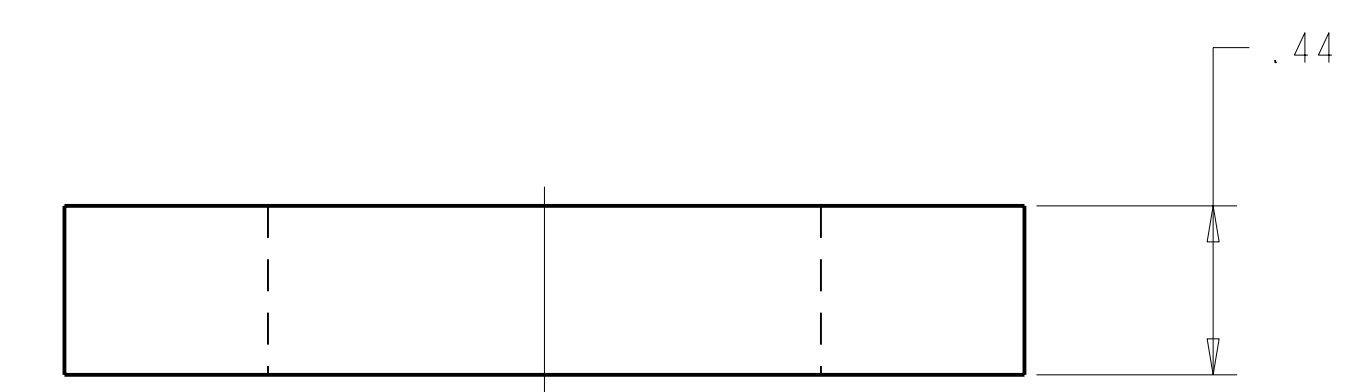


- NOTES
1. DRAWING PREPARED IN ACCORDANCE WITH ASME Y14.100-2004.
 2. INTERPRET DIMENSIONS AND TOLERANCES PER ASME Y14.5M-1994.
 3. DIMENSIONS ARE IN INCHES
 4. MAGNETIC PERMEABILITY NOT TO EXCEED 1.02 AS TESTED BY A SEVERN INDICATOR. AVAILABLE FROM:
SEVERN ENGINEERING
AUBURN, ALABAMA 36830
WWW.SEVERNGINEERING.COM



ISOMETRIC VIEW
SCALE 2.00



-1 FLAT WASHER
SCALE 2.000

AR	AR	AR	AR	AR	AR		-1	FLAT WASHER	UNS N07718	ASTM B670	I
SE100-001	SE100-002	SE140-003	SE140-199	SE140-190			PART OR IDENTIFYING NO	NOMENCLATURE OR DESCRIPTION	MATERIAL	SPECIFICATION	FIND NO
							← NEXT ASSEMBLY				
PARTS LIST											

NO REPRESENTATION OR WARRANTY, EXPRESSED OR IMPLIED, IS MADE AS TO THE ACCURACY, COMPLETENESS OR USEFULNESS OF THE INFORMATION OR STATEMENTS CONTAINED IN THESE DRAWINGS, OR THAT THE USE OR DISCLOSURE OF ANY INFORMATION, APPARATUS, METHOD OR PROCESS DISCLOSED IN THESE DRAWINGS MAY NOT INFRINGE PRIVATE RIGHTS OF OTHERS. NO LIABILITY IS ASSUMED WITH RESPECT TO THE USE OF, OR FOR DAMAGES RESULTING FROM THE USE OF, ANY INFORMATION, APPARATUS, METHOD OR PROCESS DISCLOSED IN THESE DRAWINGS. DRAWINGS MADE AVAILABLE FOR INFORMATION TO BIDDER ARE NOT TO BE USED FOR OTHER PURPOSES, AND ARE TO BE RETURNED UPON REQUEST OF THE FORWARDING CONTRACTOR.

P THIS DRAWING PRODUCED ON PRO-ENGINEER

DES	D WILLIAMSON	07/07
DRW	G MCGINNIS	07/07
CHK	M COLE	07/07
SECT	:	:
DEPT	:	:
PE	D WILLIAMSON	07/07
CR	:	:
PJ	:	:
REQ	:	:
FINISH	UNLESS OTHERWISE SPECIFIED	:

SCALE NOTED	
TOLERANCES UNLESS OTHERWISE SPECIFIED	
FRACTIONS	±.01
XX DECIMALS	±.005
XXX DECIMALS	±0'15"
ANGLES	±0'15"
BREAK SHARP EDGES	02 MAX
PPPL DRFT	J SIEGEL 07/07
DRAWING APPROVALS	DATE

Oak Ridge National Laboratory managed for the DEPARTMENT OF ENERGY under U.S. GOVERNMENT contract DE-AC05-00OR22725 UT-BATTELLE , LLC. Oak Ridge, Tennessee PROJECT NAME:									
NATIONAL COMPACT STELLARATOR EXPERIMENT									
FLAT WASHER									
VERSION NO.	PLANT	BLDG	FL	SHT	OF	TYPE	CLASS	U	
5	ORNL	5700	3	1	1	S	U		
RELEASE LEVEL		SE140-208							
Fabrication		REV 0							