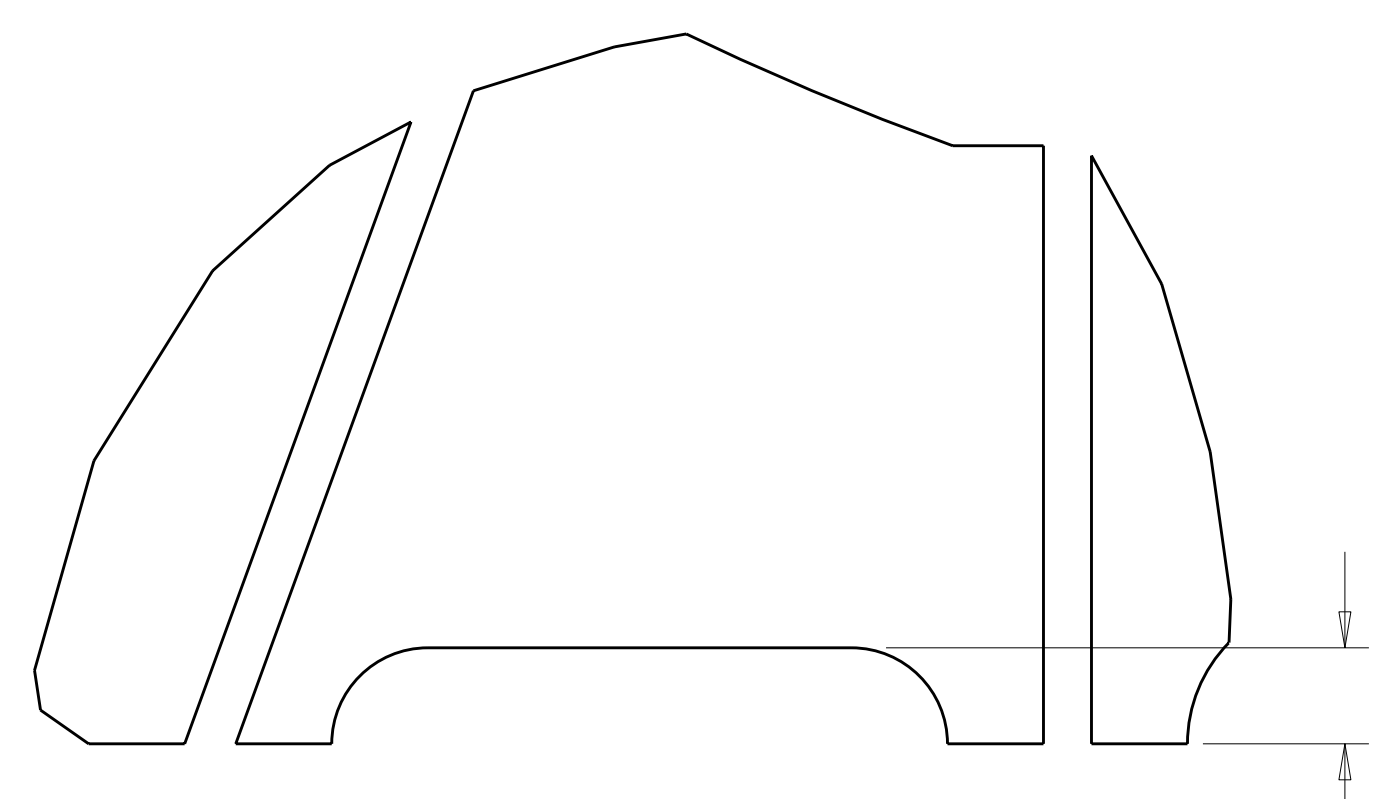
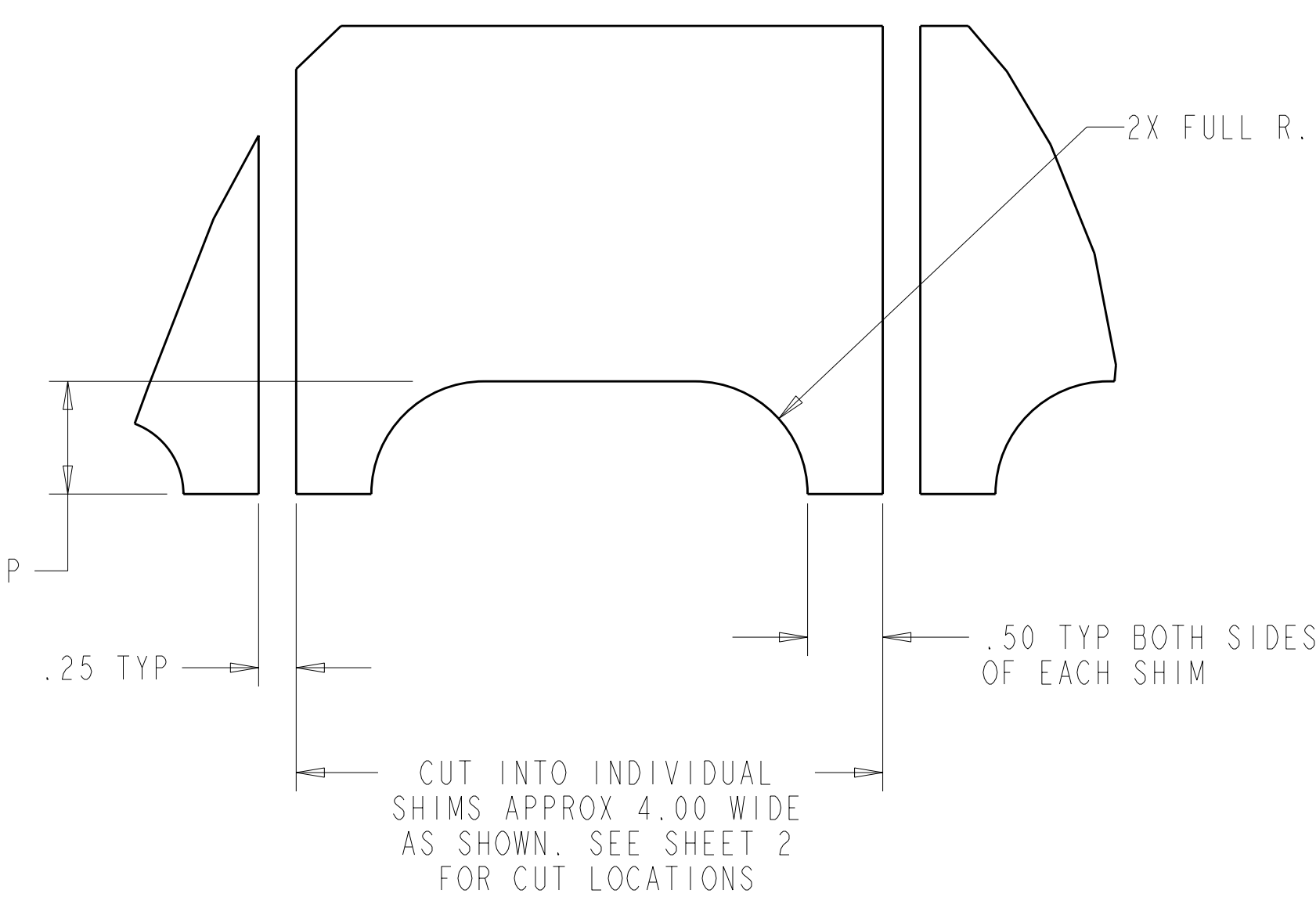


- NOTES
- DRAWING PREPARED IN ACCORDANCE WITH ASME Y14.100-2004.
 - INTERPRET DIMENSIONS AND TOLERANCES PER ASME Y14.5M-1994.
 - DIMENSIONS ARE IN INCHES
 - MAGNETIC PERMEABILITY NOT TO EXCEED 1.02 AS TESTED BY A SEVERN INDICATOR. AVAILABLE FROM:
SEVERN ENGINEERING
AUBURN, ALABAMA 36830
WWW.SEVERNGINEERING.COM
 - SOLUTION ANNEALED AFTER COMPLETING ALL CUTTING AND GRINDING.



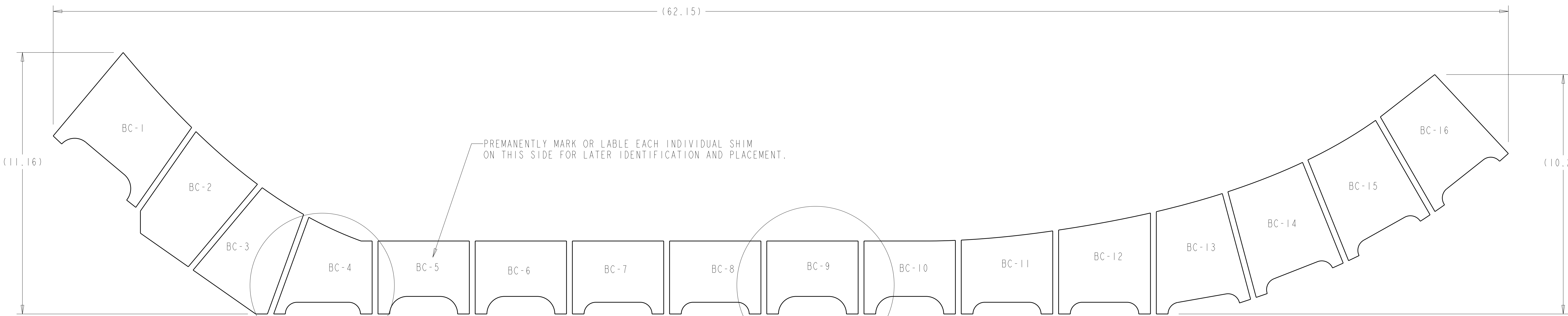
DETAIL B
SCALE 1.00
OTHER DIMENSIONS PER DETAIL A



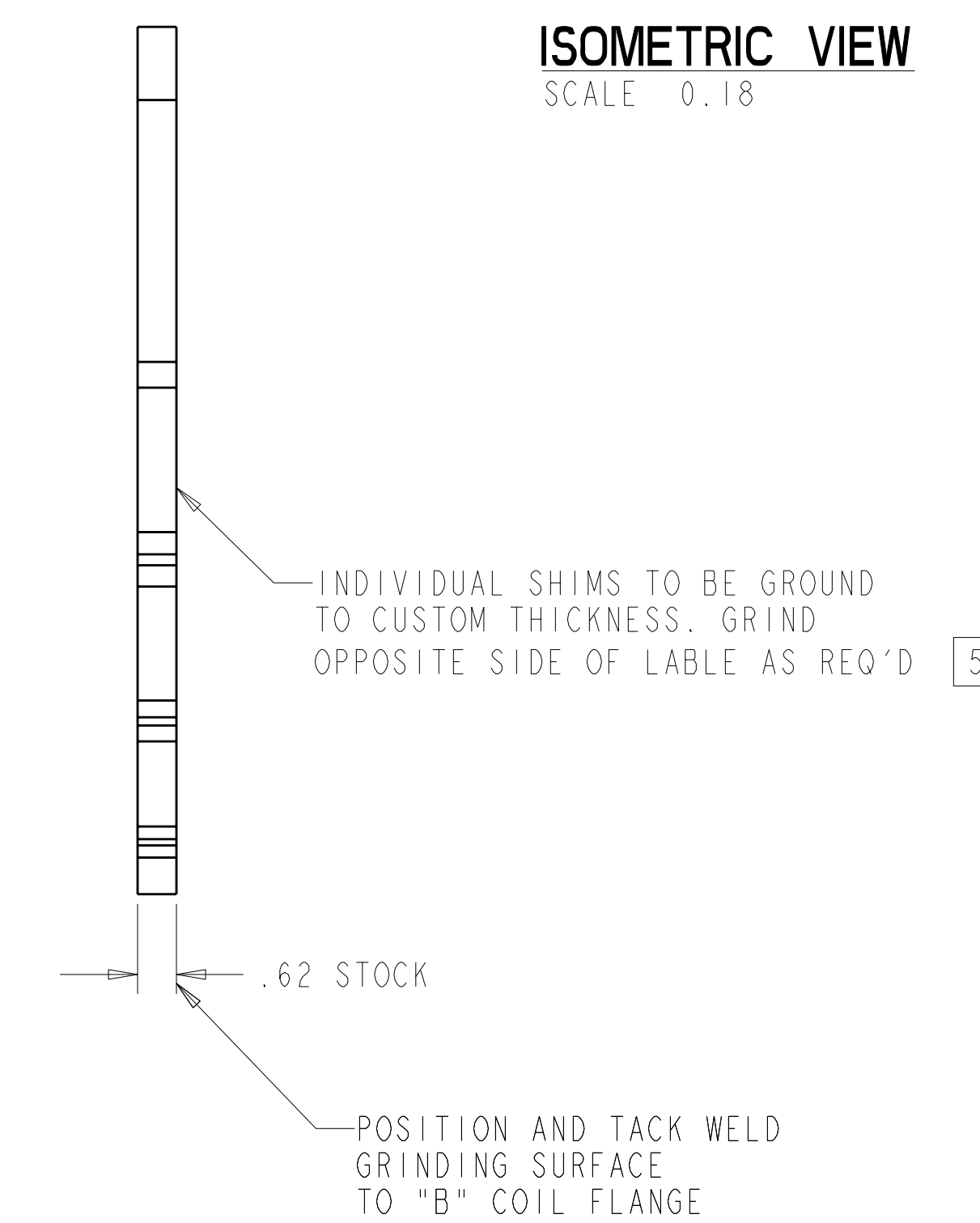
DETAIL A
SCALE 1.00



ISOMETRIC VIEW
SCALE 0.18



-1 BC INBOARD SHIM
SCALE 0.50



NOTE: PART TO BE CUT FROM FULL SIZE TEMPLATE, SEE SHEET 2.

AR	CAGE CODE	PART OR IDENTIFYING NO	NOMENCLATURE OR DESCRIPTION	MATERIAL	SPECIFICATION	FIND NO
SE140-053	-1	BC INBOARD SHIM	316 SST [5]	ASTM A240	I	
PARTS LIST						

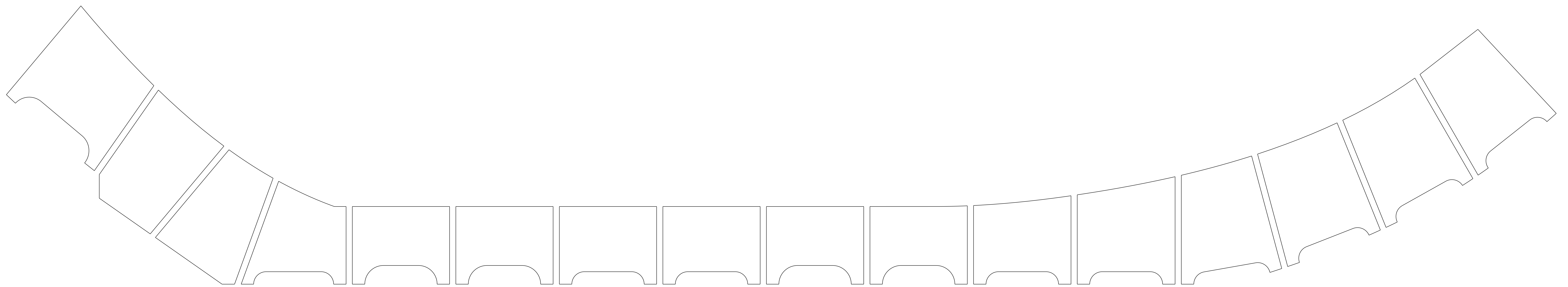
NO REPRESENTATION OR WARRANTY, EXPRESSED OR IMPLIED, IS MADE AS TO THE ACCURACY, COMPLETENESS OR USEFULNESS OF THE INFORMATION OR STATEMENTS CONTAINED IN THESE DRAWINGS, OR THAT THE USE OR DISCLOSURE OF ANY INFORMATION, APPARATUS, METHOD OR PROCESS DISCLOSED IN THESE DRAWINGS MAY NOT INFRINGE PRIVATE RIGHTS OF OTHERS. NO LIABILITY IS ASSUMED WITH RESPECT TO THE USE OF, OR FOR DAMAGES RESULTING FROM THE USE OF, ANY INFORMATION, APPARATUS, METHOD OR PROCESS DISCLOSED IN THESE DRAWINGS. DRAWINGS MADE AVAILABLE FOR INFORMATION TO BIDDER ARE NOT TO BE USED FOR OTHER PURPOSES, AND ARE TO BE RETURNED UPON REQUEST OF THE FORWARDING CONTRACTOR.

P THIS DRAWING PRODUCED ON PRO-ENGINEER

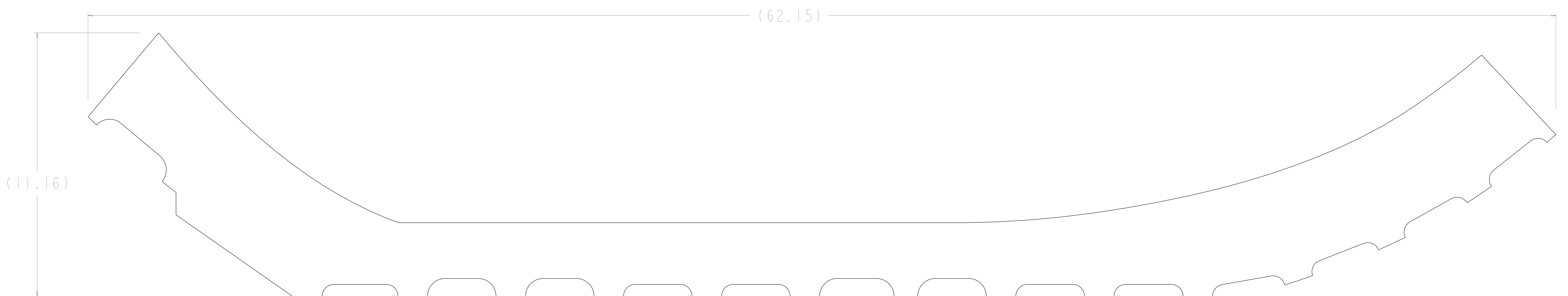
REV	DESCRIPTION	BY	DATE	CHK	DEPT	DATE	PE	REQ	DATE	ORNL	DOE	DATE
0	ORIGINAL ISSUE	GM	08/07	MC		08/07						
REVISION OR ISSUE PURPOSE												
REVISION APPROVAL												

SCALE NOTED	DES D WILLIAMSON 08/2007
TOLERANCES UNLESS OTHERWISE SPECIFIED	DRW G MCGINNIS 08/2007
FRACTIONS	CHK M COLE
XX DECIMALS ±.01	DEPT :
XXX DECIMALS ±.005	PE :
ANGLES ±0°15'	CR :
BREAK SHARP EDGES OR MAX FINISH .125 UNLESS OTHERWISE SPECIFIED	PJ :
	REO :
	PPPL DRFT J SIEGEL 08/2007
	VERSION NO. 4+
	PLANT ORNL
	BLDG 5700
	FL 3
	SHT 1
	OF 2
	TYPE S
	CLASS U
	RELEASE LEVEL WIP
	SE140-053
	REV 0

Oak Ridge National Laboratory managed for the DEPARTMENT OF ENERGY under U.S. GOVERNMENT contract DE-AC05-00OR22725 UT-BATTELLE, LLC. Oak Ridge, Tennessee
UT-BATTELLE
NATIONAL COMPACT STELLARATOR EXPERIMENT
B-C INBOARD SHIM



FULL SIZE TEMPLATE - SHOWN WITH INDIVIDUAL SHIM CUT LINES
SCALE 1 : 1



FULL SIZE TEMPLATE - CHECK REF DIMS SHOWN FOR PROPER SCALE
SCALE 1 : 1