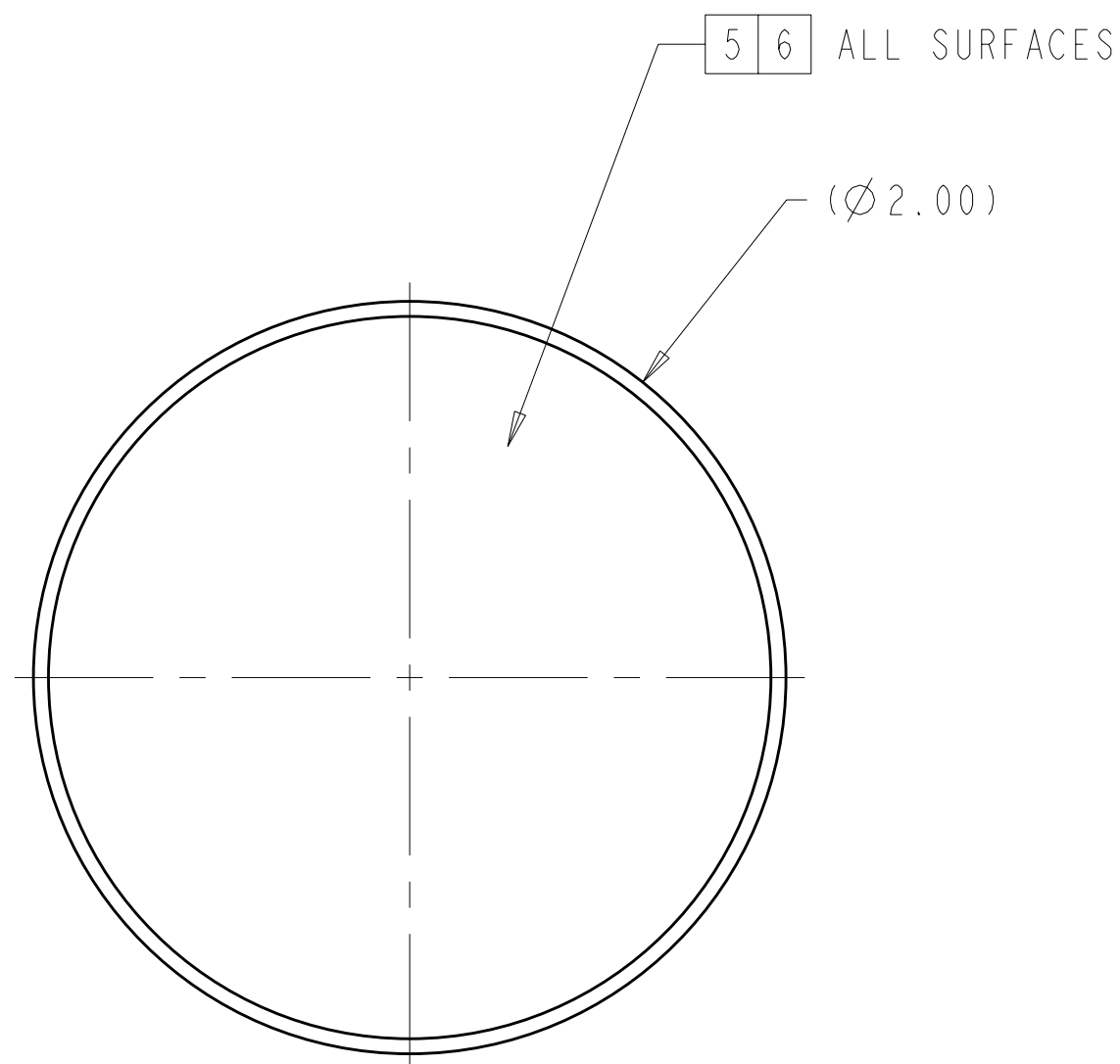
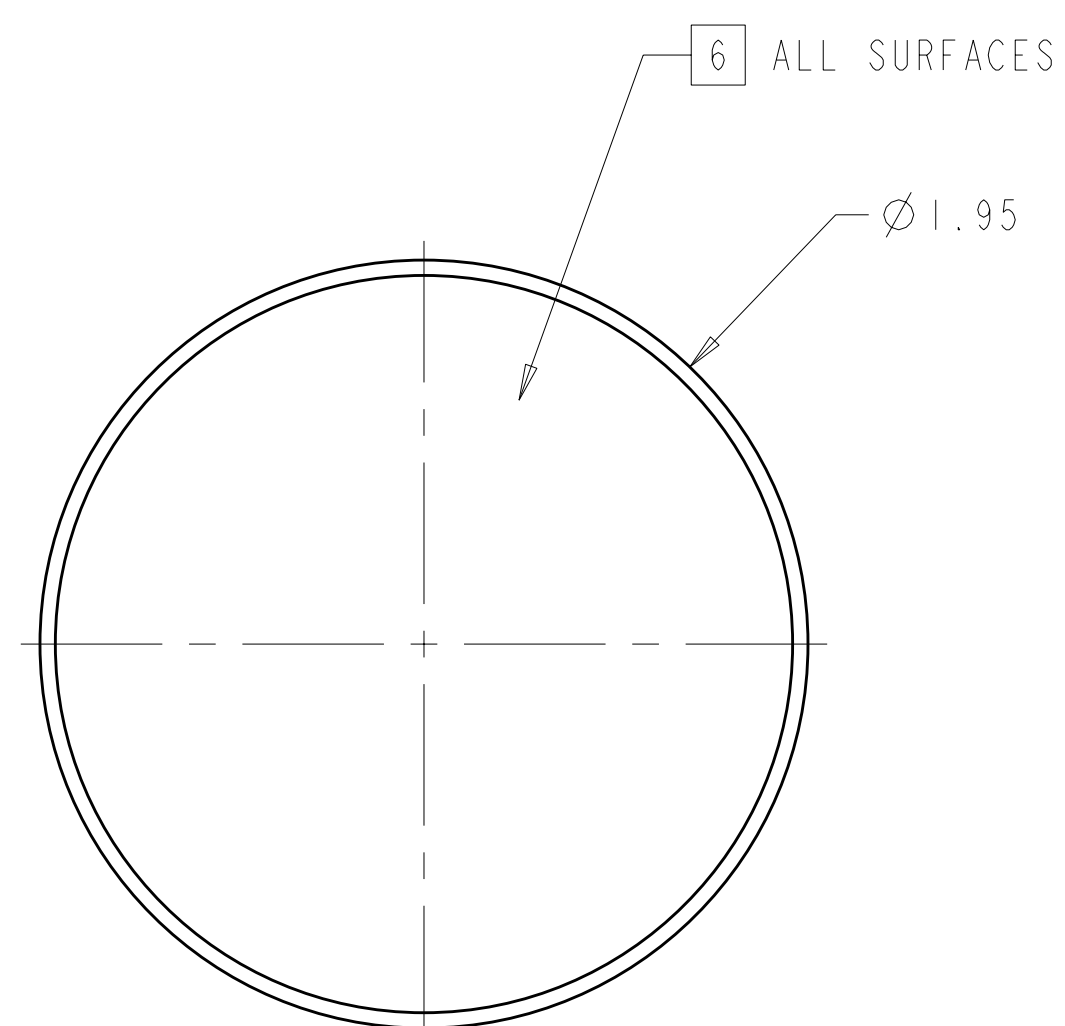


ISOMETRIC VIEW
SCALE 1.00



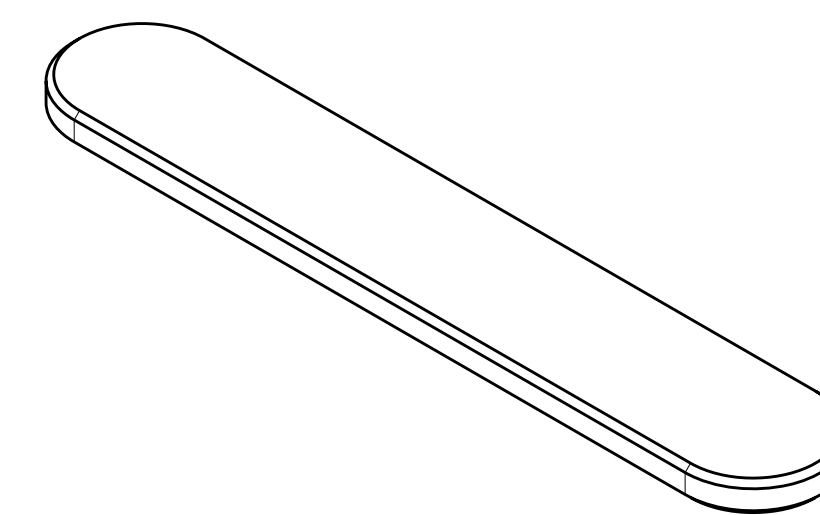
NOTE: DIMENSIONS SHOWN ARE AFTER COATING

-2 CC - SHIM PUCK - 2.00
SCALE 2.00

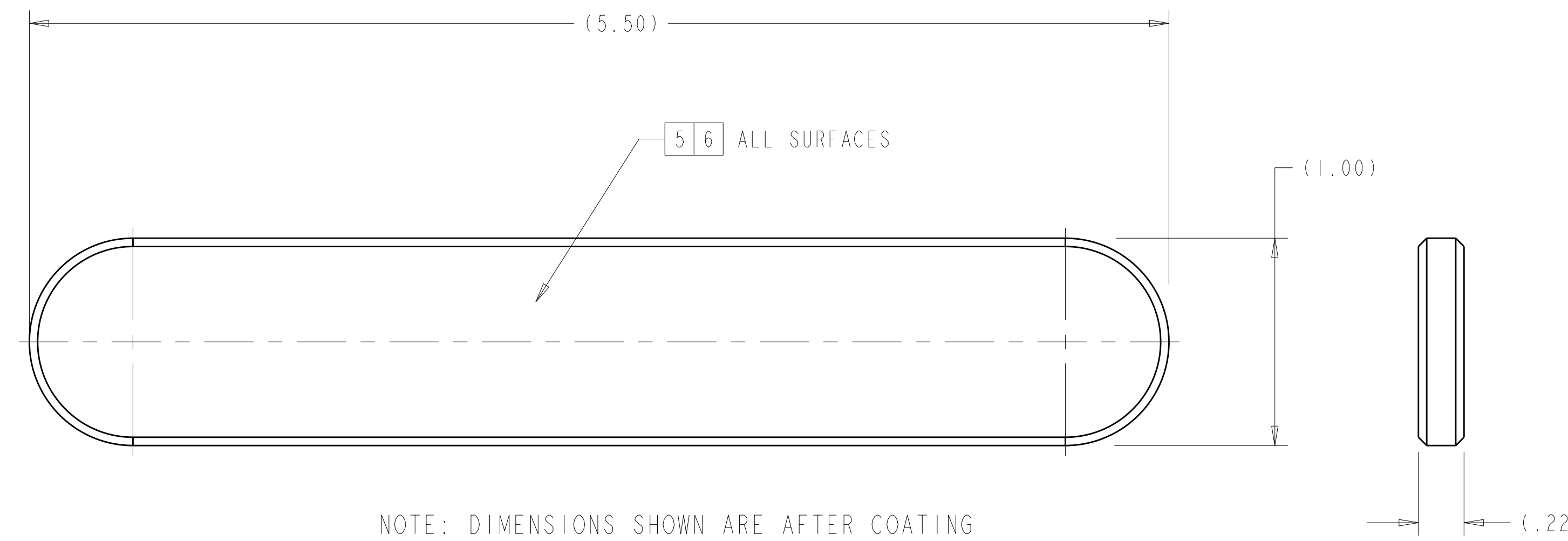


NOTE: DIMENSIONS SHOWN ARE FOR NON-COATED PART

P THIS DRAWING PRODUCED ON PRO-ENGINEER

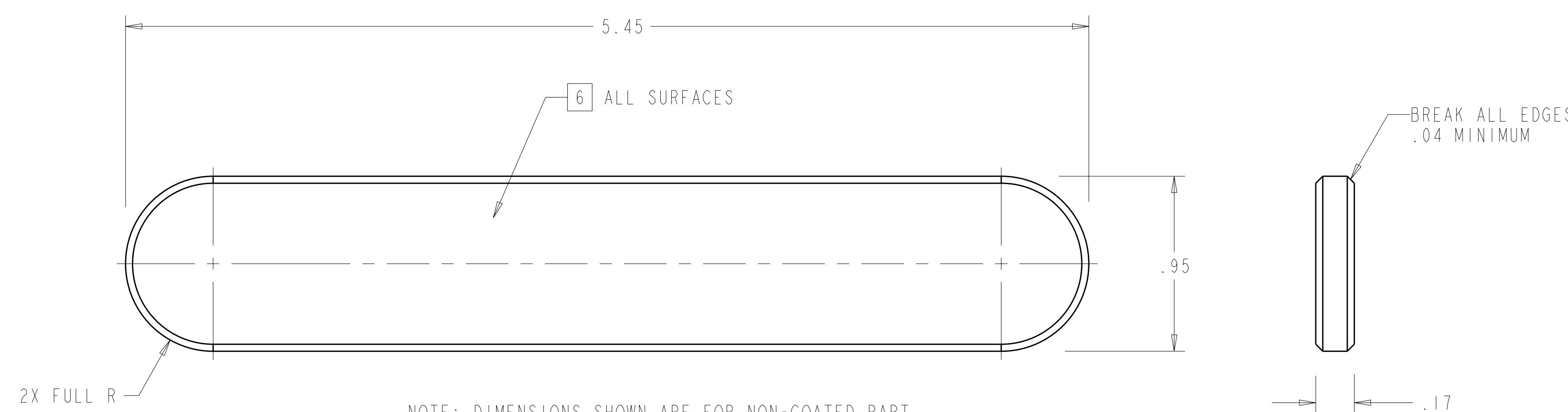


ISOMETRIC VIEW
SCALE 1.00



NOTE: DIMENSIONS SHOWN ARE AFTER COATING
ALUMINA COATING THICKNESS PER SIDE .025 +.003 / -.002

-1 CC - SHIM PUCK - 1.00 X 5.50
SCALE 2.00



NOTE: DIMENSIONS SHOWN ARE FOR NON-COATED PART

NOTES

- DRAWING PREPARED IN ACCORDANCE WITH ASME Y14.100-2004.
- INTERPRET DIMENSIONS AND TOLERANCES PER ASME Y14.5M-1994.
- DIMENSIONS ARE IN INCHES
- MAGNETIC PERMEABILITY NOT TO EXCEED 1.02 AS TESTED BY A SEVERN INDICATOR. AVAILABLE FROM:
SEVERN ENGINEERING
AUBURN, ALABAMA 36830
WWW.SEVERNENGINEERING.COM
- IF PERMEABILITY SPEC IS NOT ACHIEVED THEN SOLUTION ANNEAL PART PRIOR TO COATING.
- ALUMINA COATING PER SPECIFICATION NCSX-CSPEC-142-06-00.
- SURFACE FINISH AFTER COATING 150-500.
- SURFACE FINISH ON NON-COATED PART 125 OR LESS UNLESS OTHERWISE SPECIFIED BY COATING SUPPLIER.
- OPTIONAL MATERIAL: UNS N06625 ASTM B446 ANNEALED

7	AR	SE140-058-2	CC - SHIM PUCK - Ø2.00	S31603 ANNEALED	ASTM A276	2
7	AR	SE140-058-1	CC - SHIM PUCK - 1.00 X 5.50	PLASMA ALUMINA COATED		1
SE100-001	CAGE CODE	PART OR IDENTIFYING NO	NOMENCLATURE OR DESCRIPTION	MATERIAL	SPECIFICATION	FIND NO
			← NEXT ASSEMBLY	PARTS LIST		

SCALE NOTED										DES: D WILLIAMSON 02/2008		UT-BATTELLE		Oak Ridge National Laboratory managed for the DEPARTMENT OF ENERGY under U.S. GOVERNMENT contract DE-AC05-00OR22725 UT-BATTELLE, LLC. Oak Ridge, Tennessee	
TOLERANCES UNLESS OTHERWISE SPECIFIED										DRW: S HOMESCU 02/2008		NATIONAL COMPACT STELLARATOR EXPERIMENT		CC - SHIM PUCK	
FRACTIONS ±.01										CHK: M COLE 02/2008		SECT: :		VERSION NO. 3+	
XX DECIMALS ±.01										DEPT: :		PLANT ORNL		BLDG 5700	
XXX DECIMALS ±.005										PE: :		FL 3		SHT 1	
ANGLES ±0°15'										CR: :		TYPE I		CLASS S	
BREAK SHARP EDGES OR MAX										PJ: :		REV 0		RELEASE LEVEL WIP	
FINISH .125 UNLESS OTHERWISE SPECIFIED										RD: :		SE140-058		REV 0	
REV: 0 ORIGINAL ISSUE										PPPL DRFT J SIEGEL 02/2008		DRAWING APPROVALS		DATE	
BY: GM 02/08 MC 02/08										DATE		DATE		DATE	
DESCRIPTION										DATE		DATE		DATE	
REVISION OR ISSUE PURPOSE										REVISION APPROVAL		DATE		DATE	

NO REPRESENTATION OR WARRANTY, EXPRESSED OR IMPLIED, IS MADE AS TO THE ACCURACY, COMPLETENESS OR USEFULNESS OF THE INFORMATION OR STATEMENTS CONTAINED IN THESE DRAWINGS, OR THAT THE USE OR DISCLOSURE OF ANY INFORMATION, APPARATUS, METHOD OR PROCESS DISCLOSED IN THESE DRAWINGS MAY NOT INFRINGE PRIVATE RIGHTS OF OTHERS. NO LIABILITY IS ASSUMED WITH RESPECT TO THE USE OF, OR FOR DAMAGES RESULTING FROM THE USE OF, ANY INFORMATION, APPARATUS, METHOD OR PROCESS DISCLOSED IN THESE DRAWINGS. DRAWINGS MADE AVAILABLE FOR INFORMATION TO BIDDER ARE NOT TO BE USED FOR OTHER PURPOSES, AND ARE TO BE RETURNED UPON REQUEST OF THE FORWARDING CONTRACTOR.