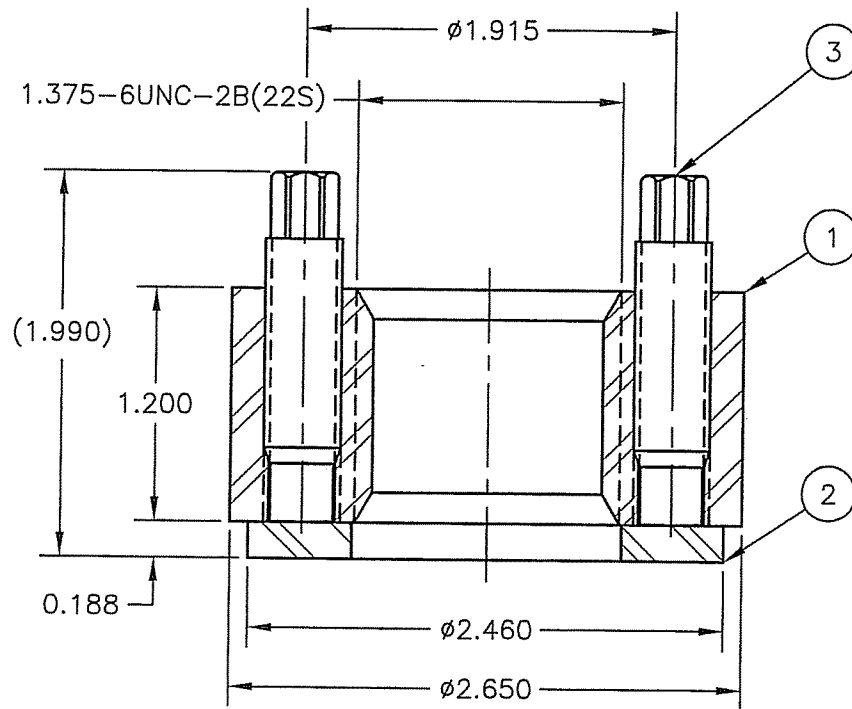


Manufactured Under
U.S. Patent RE33490

PROPRIETARY
PROPERTY OF SUPERBOLT INC

NOTES:

1. UNLESS OTHERWISE SPECIFIED, ALL DIMENSIONS ARE IN INCHES.
2. ALL DIMENSIONS ARE FOR REFERENCE ONLY.
3. STAMP PER 85-100-00.



ITEM/MATERIAL:

1. NUT BODY= 64-193-00
2. WASHER= 63-111-00, 70-302-00
3. JACKBOLTS= 63-111-00, 70-404-00

PRELOAD= 75,000 LBS
TORQUE= TBD (SUPERBOLT JL-G)
ESTIMATED TORQUE= 39 LBFT

ITEM	PART NUMBER	QTY	DESCRIPTION	WGH
3	JB-01997	8	JB, PINTLE, M10.0X1.25X1.458, 63, 5/16H	0.04
2	W-04616	1	WASHER, 1.400X2.460X0.188, 63	0.18
1	B-05556	1	NUT, 1.375-6, 2.650X1.200, 64	1.07

INTERPRET DIMENSIONS AND TOLERANCES PER ASME Y14.5M-1994, UNLESS OTHERWISE SPECIFIED					
THIRD ANGLE PROJECTION	TOLERANCES, UNLESS OTHERWISE SPECIFIED:				SURFACE FINISHES 125/ V UNLESS OTHERWISE SPECIFIED
	LINEAR DIMENSIONS (INCHES)				
	< 8	≥ 8	≥ 12	≥ 24	ANGULAR DIMENSIONS ±1°
	X.X ±0.1	±0.1	±0.1	±1/8	
	X.XX ±0.02	±0.03	±0.06		
	X.XXX ±0.005	±0.008	±0.015		

MANUFACTURED UNDER U.S. PATENT # RE33490

THIS PRINT IS LOANED TO THE RECIPIENT AND IS SUBJECT TO RETURN ON DEMAND. IT'S CONTENTS ARE CONFIDENTIAL AND MUST NOT BE COPIED OR SUBMITTED TO OUTSIDE PARTIES FOR USE OR EXAMINATION.

SUPERBOLT P.O. BOX 683
CARNEGIE, PA 15106
412-279-1149

DRAWN BY: JR Moss	DATE: 3/28/07	S, ASSY., 1.375-6		WEIGHT: 1.57
CHECKED BY:	DATE:	PRINCETON PLASMA PHYSICS LAB		SHEET: 1 OF 1
APPROVED BY: <i>[Signature]</i>	DATE: 4-2-07	SCALE: 1:1	DWG NO: S-02200	REV:

DWG NO: S-02200

SHEET: 1 OF 1