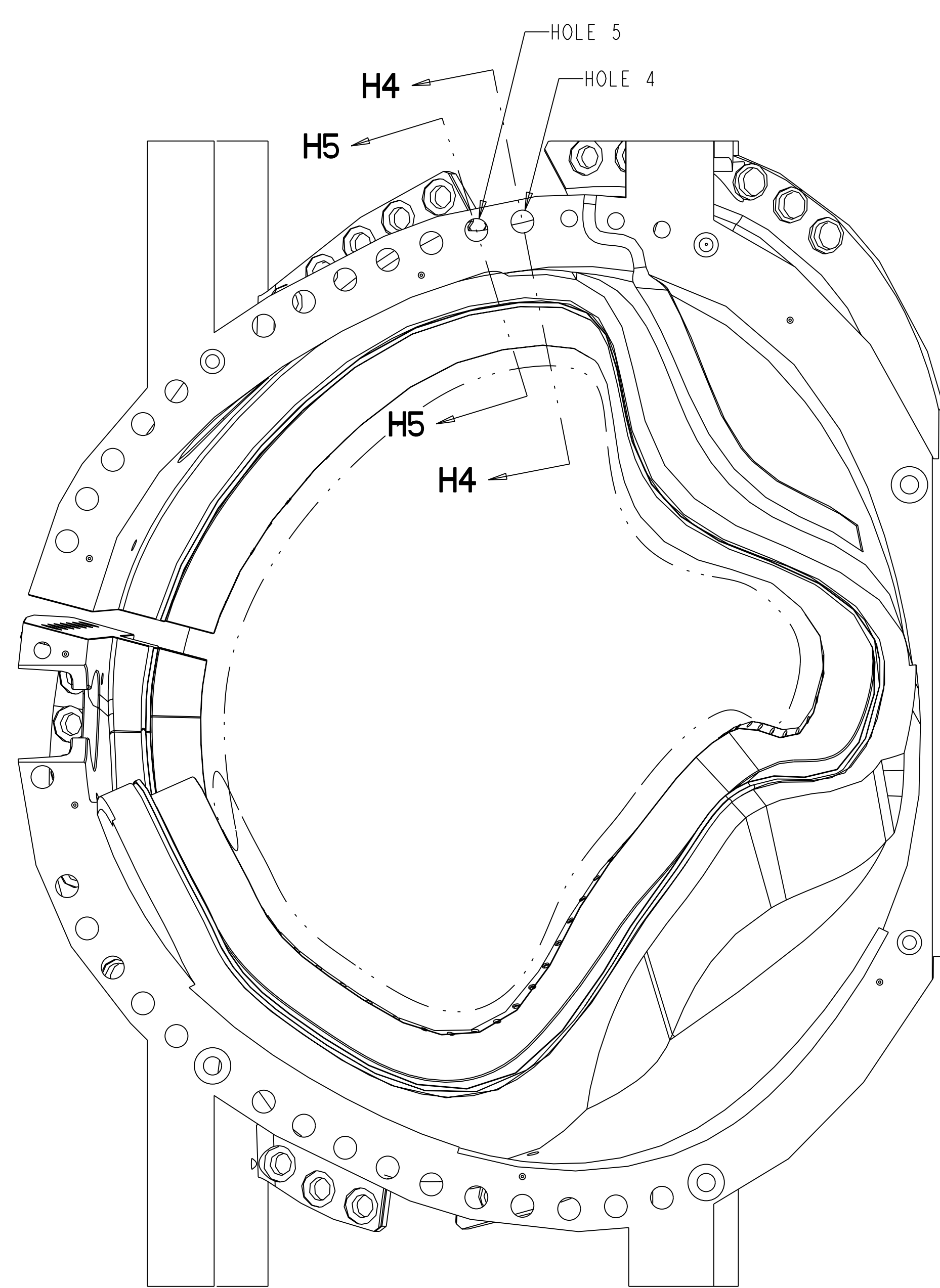
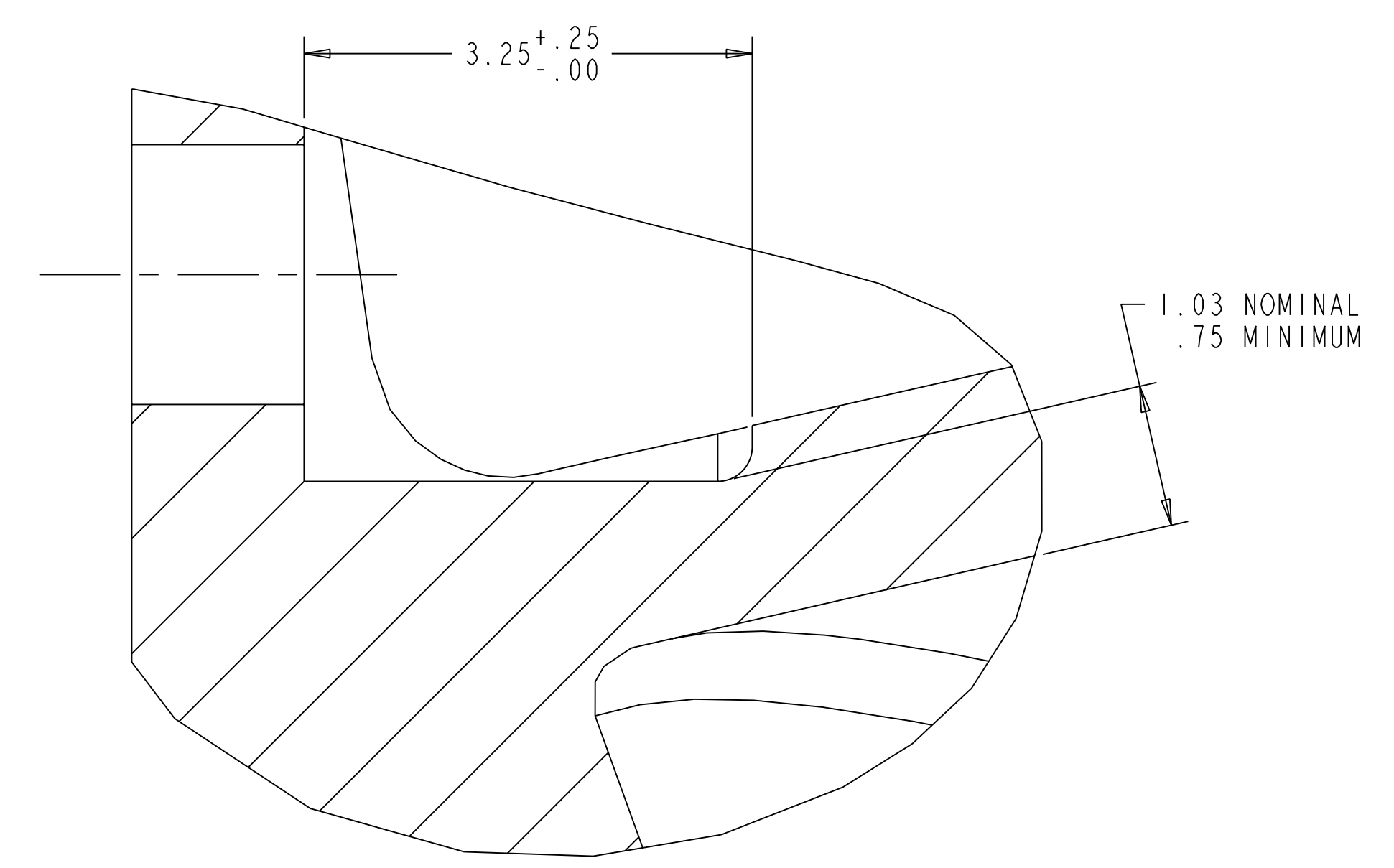


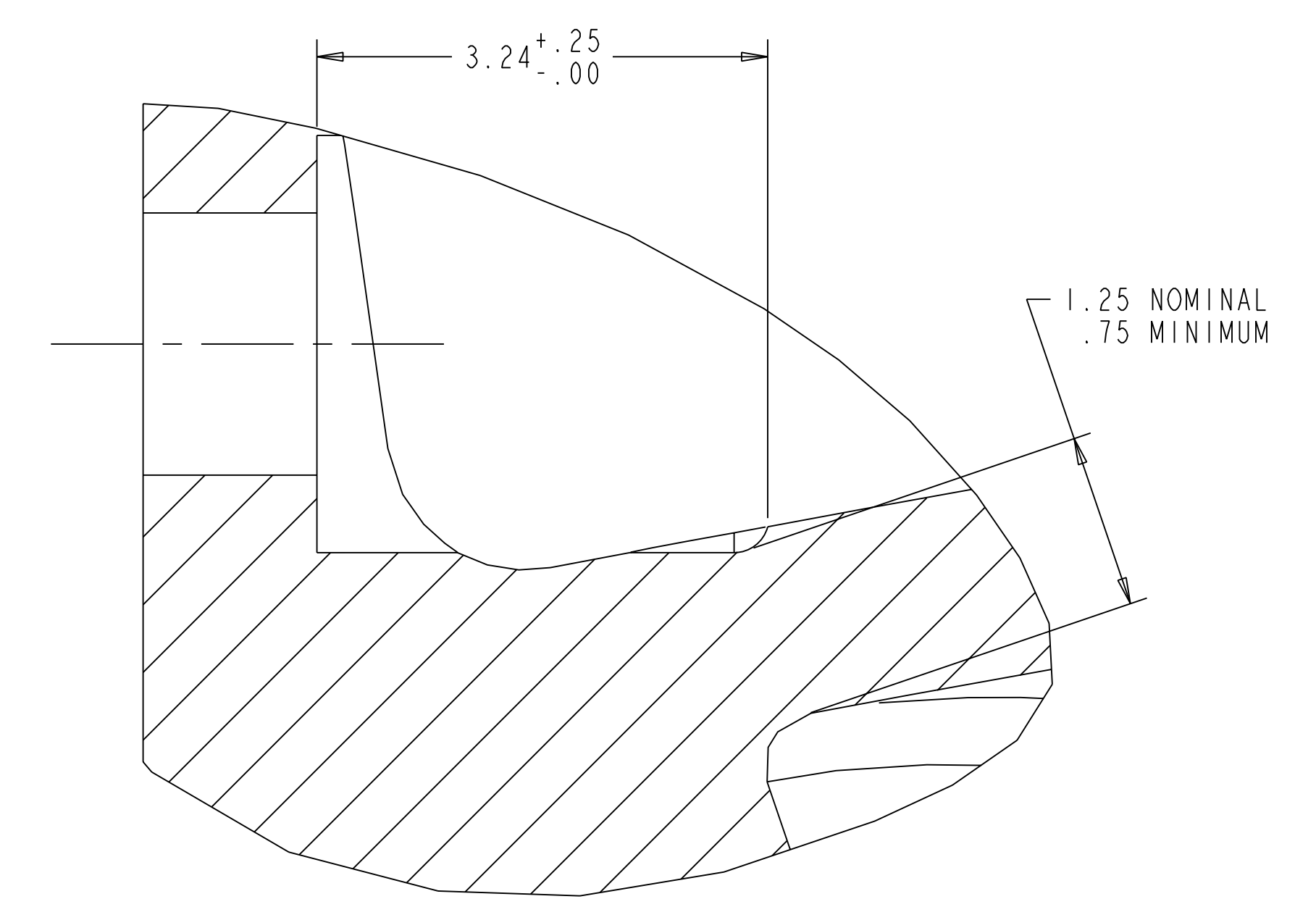
C-B FLANGE VIEW
SCALE .125



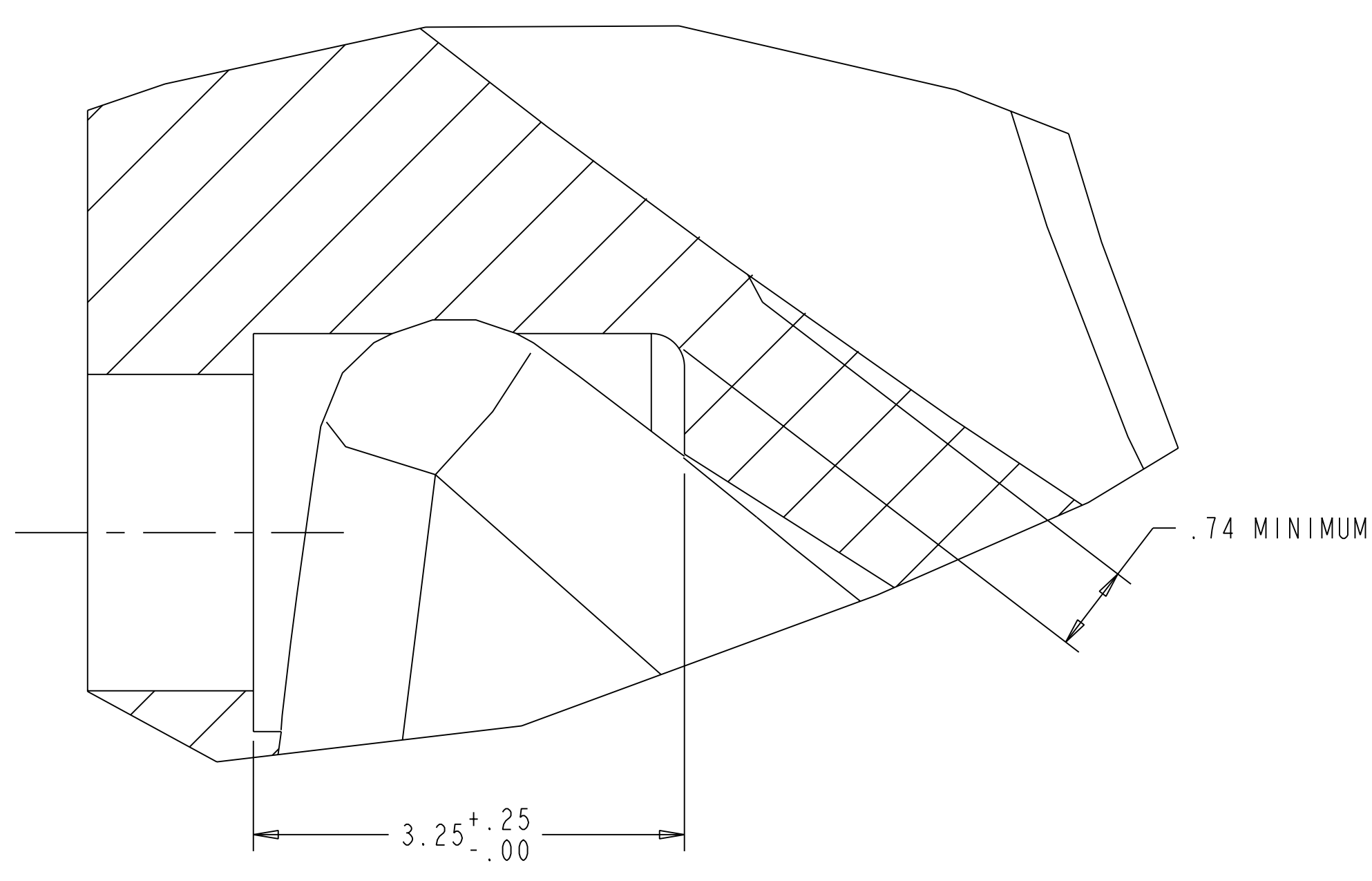
C-C FLANGE VIEW
SCALE .125



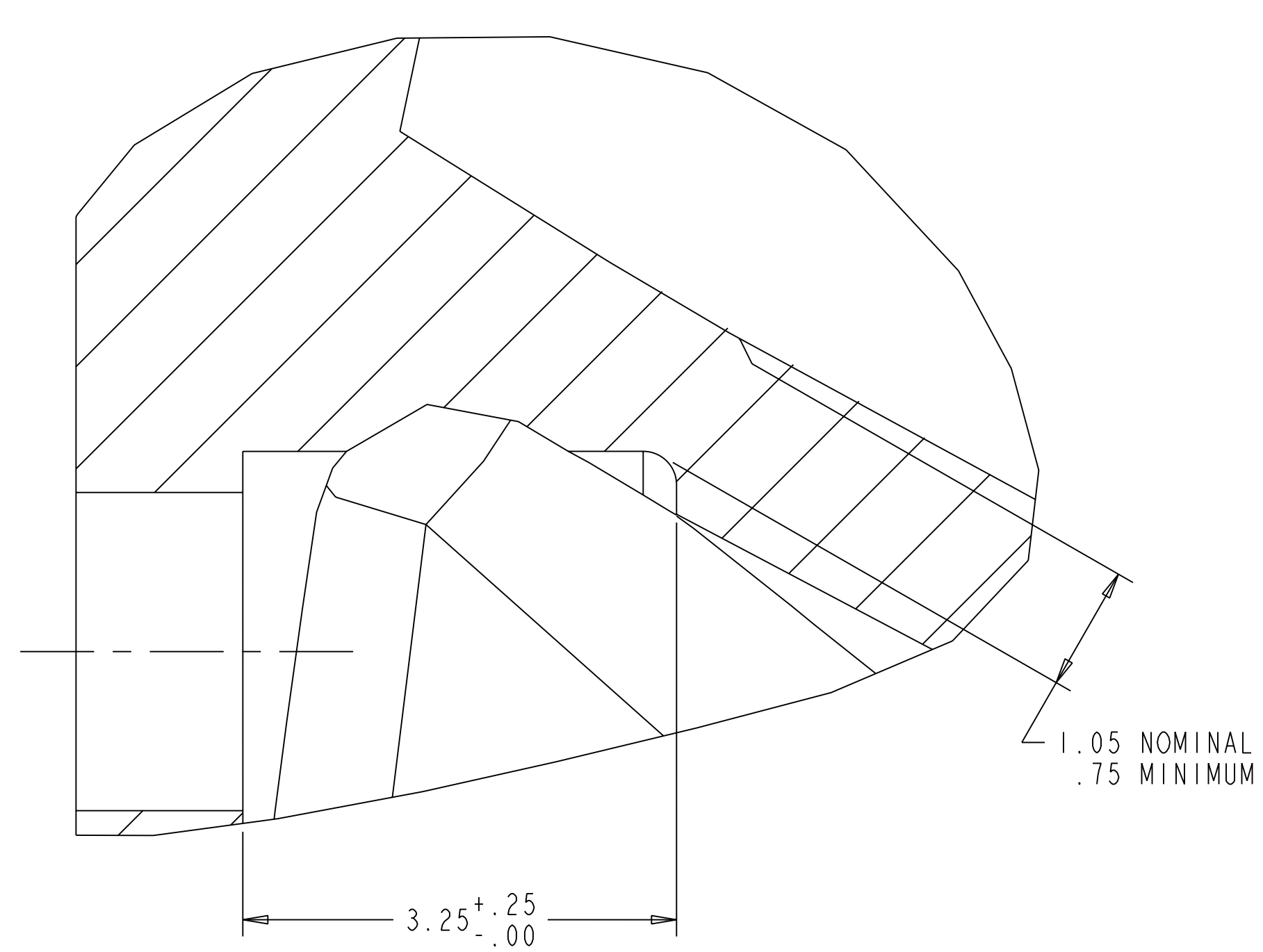
SECTION H4-H4 AT HOLE 4
SCALE 1.00



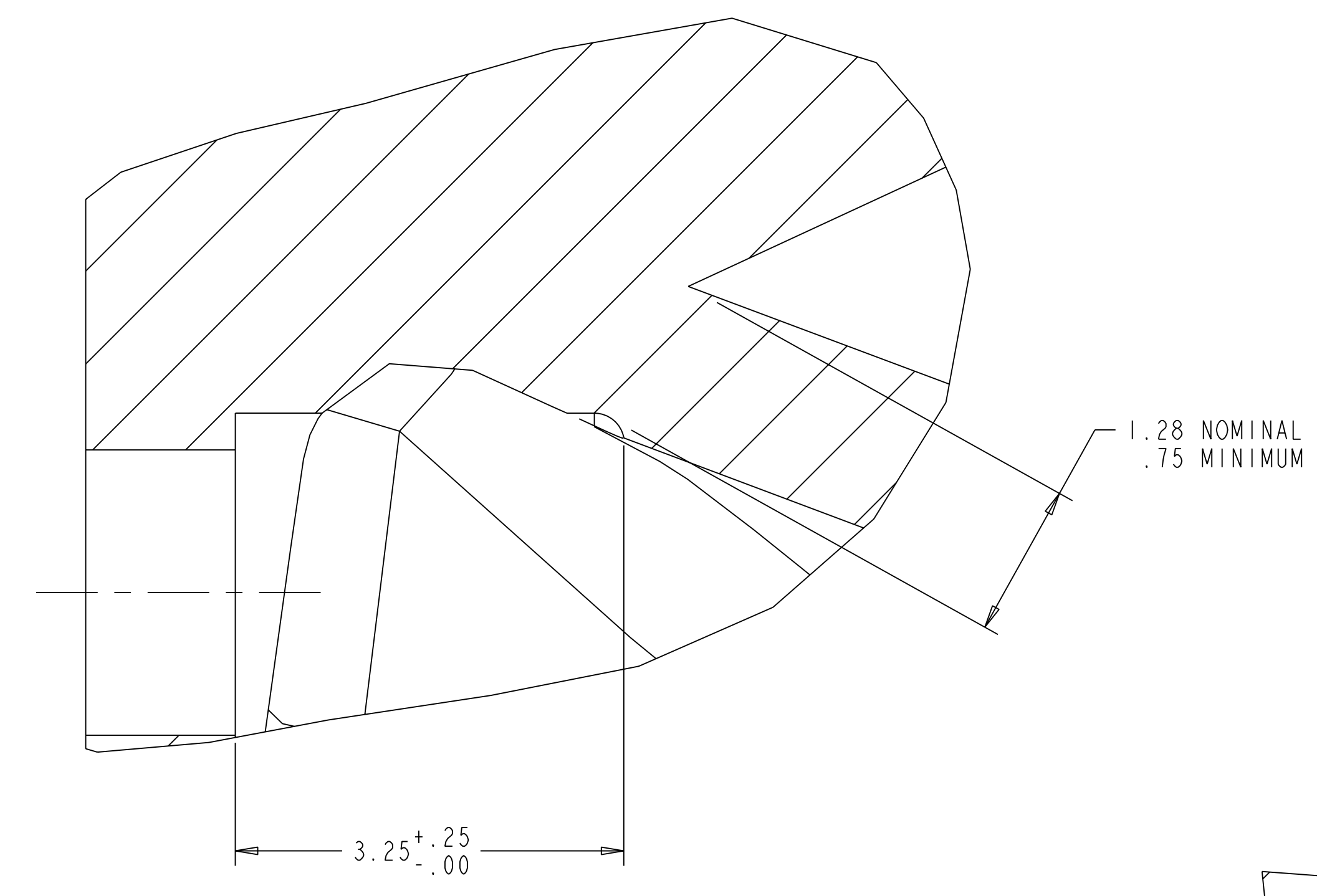
SECTION H5-H5 AT HOLE 5
SCALE 1.00



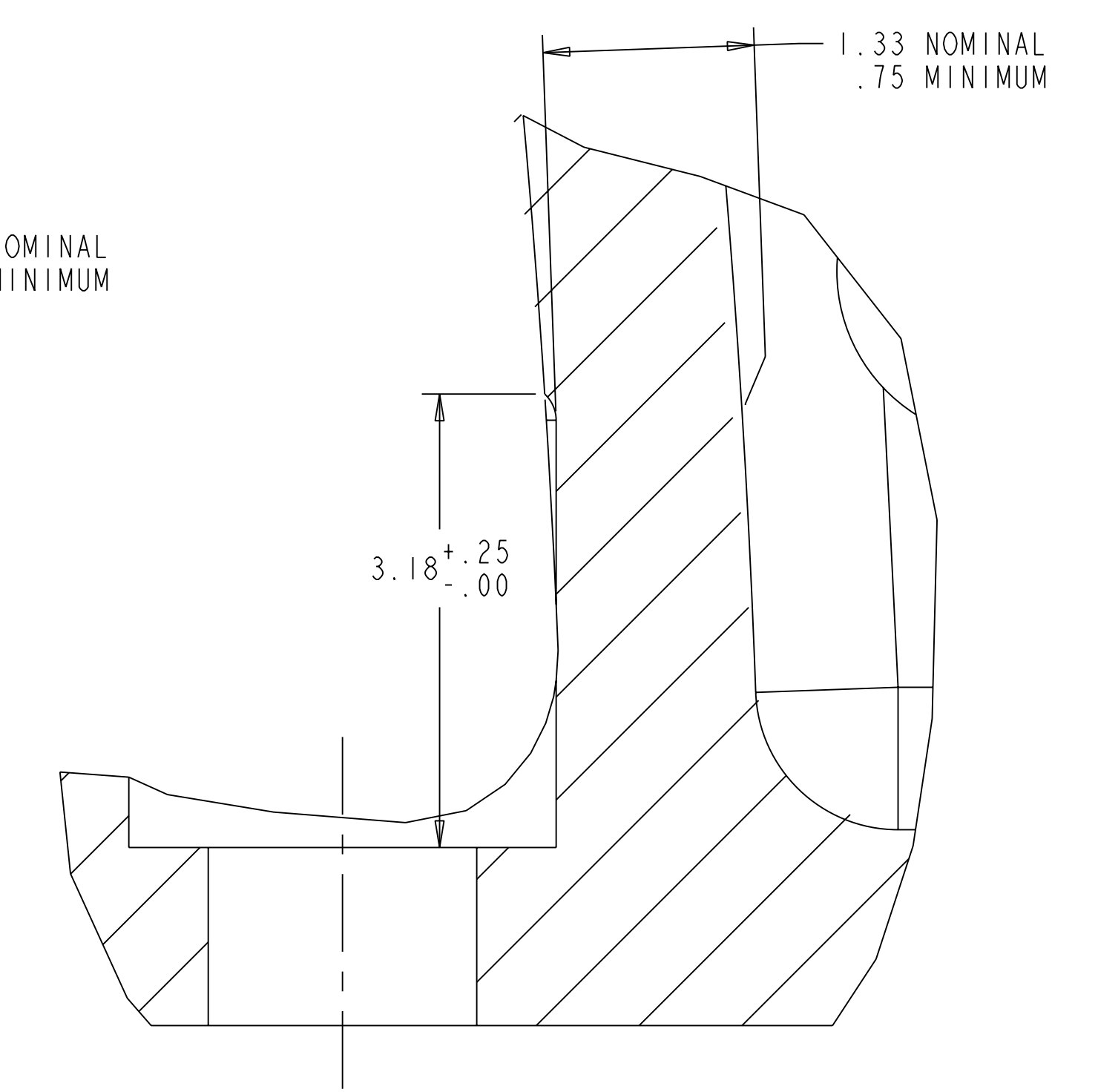
SECTION H26-H26 AT HOLE 26
SCALE 1.00



SECTION H25-H25 AT HOLE 25
SCALE 1.00



SECTION H24-H24 AT HOLE 24
SCALE 1.00



SECTION H19-H19 AT HOLE 19
SCALE 1.00

HOLE NUMBERS REFERENCE DRAWING SEI41-116

GRIND AS SHOWN ON PART SEI41-116 - 6 PLACES

- NOTES
1. DRAWING PREPARED IN ACCORDANCE WITH ASME Y14.100-2004.
 2. INTERPRET DIMENSIONS AND TOLERANCES PER ASME Y14.5M-1994.
 3. DIMENSIONS ARE IN INCHES

NO REPRESENTATION OR WARRANTY, EXPRESSED OR IMPLIED, IS MADE AS TO THE ACCURACY, COMPLETENESS OR USEFULNESS OF THE INFORMATION OR STATEMENTS CONTAINED IN THESE DRAWINGS, OR THAT THE USE OR DISCLOSURE OF ANY INFORMATION, APPARATUS, METHOD OR PROCESS DISCLOSED IN THESE DRAWINGS MAY NOT INFRINGE PRIVATE RIGHTS OF OTHERS. NO LIABILITY IS ASSUMED WITH RESPECT TO THE USE OF, OR FOR DAMAGES RESULTING FROM THE USE OF, ANY INFORMATION, APPARATUS, METHOD OR PROCESS DISCLOSED IN THESE DRAWINGS. DRAWINGS MADE AVAILABLE FOR INFORMATION TO BIDDER ARE NOT TO BE USED FOR OTHER PURPOSES, AND ARE TO BE RETURNED UPON REQUEST OF THE FORWARDING CONTRACTOR.

P THIS DRAWING PRODUCED ON PRO-ENGINEER

RELEASED FOR FABRICATION / INSTALLATION
PPPL Drafting:

REV	DESCRIPTION	BY	DATE	CHK	DEPT	DATE	PE	REQ	DATE	ORNL	DOE	DATE
0	ORIGINAL ISSUE	GM	05/07									
	REVISION OR ISSUE PURPOSE											

SCALE NOTED	DES: D WILLIAMSON 05/07
TOLERANCES UNLESS OTHERWISE SPECIFIED	DRW: G MCGINNIS 05/07
FRACTIONS ±.01	CHK: M COLE 05/07
XX DECIMALS ±.005	SECT: :
XXX DECIMALS ±.0005	DEPT: :
ANGLES ±0°15'	PE: :
BREAK SHARP EDGES OR MAX FINISH .125 UNLESS OTHERWISE SPECIFIED	CR: :
	PJ: :
	RD: :
	PPPL DRFT J SIEGEL 05/07
	VERSION NO. 4
	PLANT ORNL
	BLDG 5700
	FL 3
	SHT 1
	OF 1
	TYPE S
	CLASS U
	REV 0

Oak Ridge National Laboratory managed for the DEPARTMENT OF ENERGY under U.S. GOVERNMENT CONTRACT DE-AC05-00OR22725 UT-BATTELLE, LLC., Oak Ridge, Tennessee	
PROJECT NAME: NATIONAL COMPACT STELLARATOR EXPERIMENT	
C MODULAR COIL FLANGE NUT CLEARANCE	
RELEASE LEVEL	SEI41-116G
Fabrication	