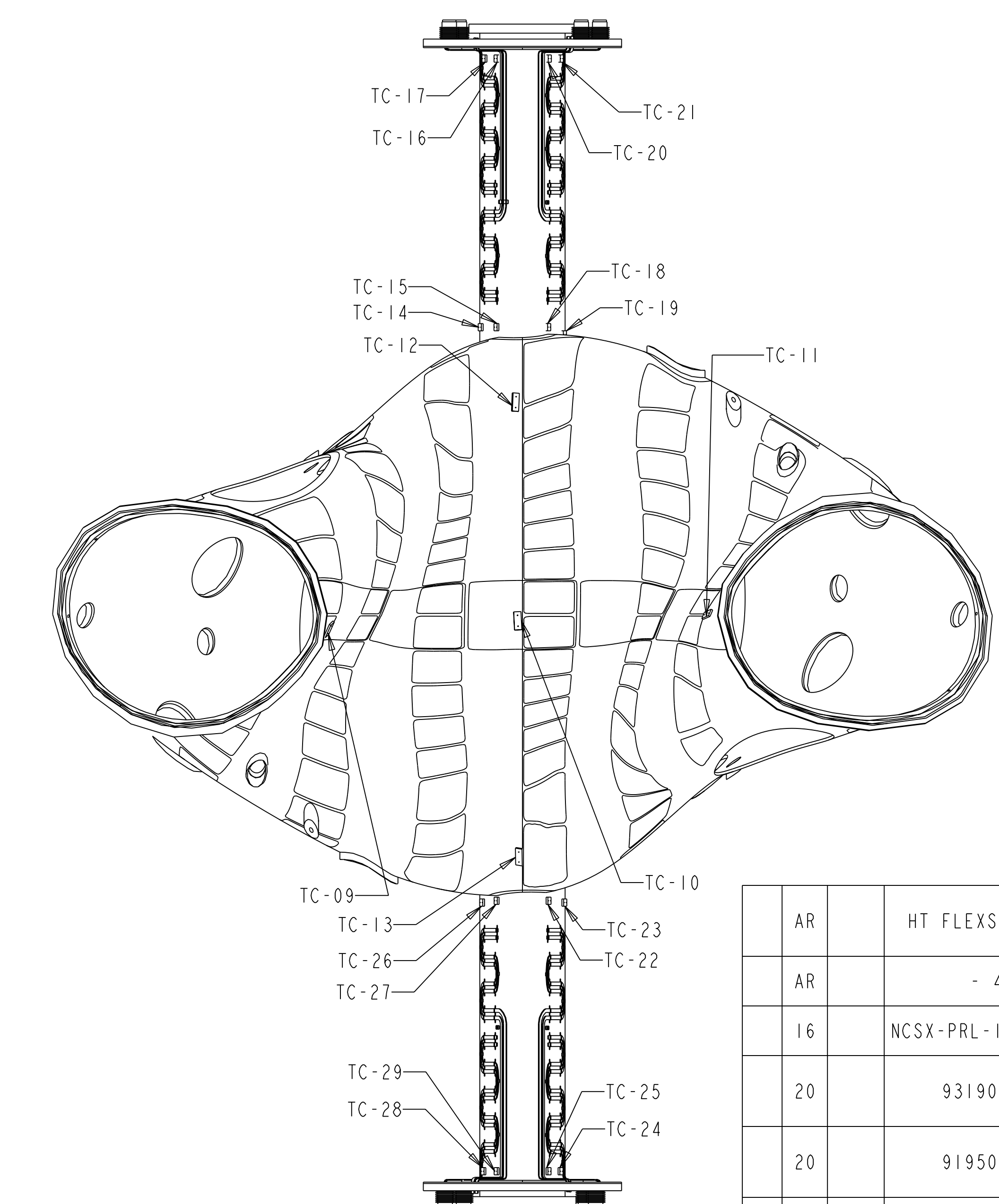
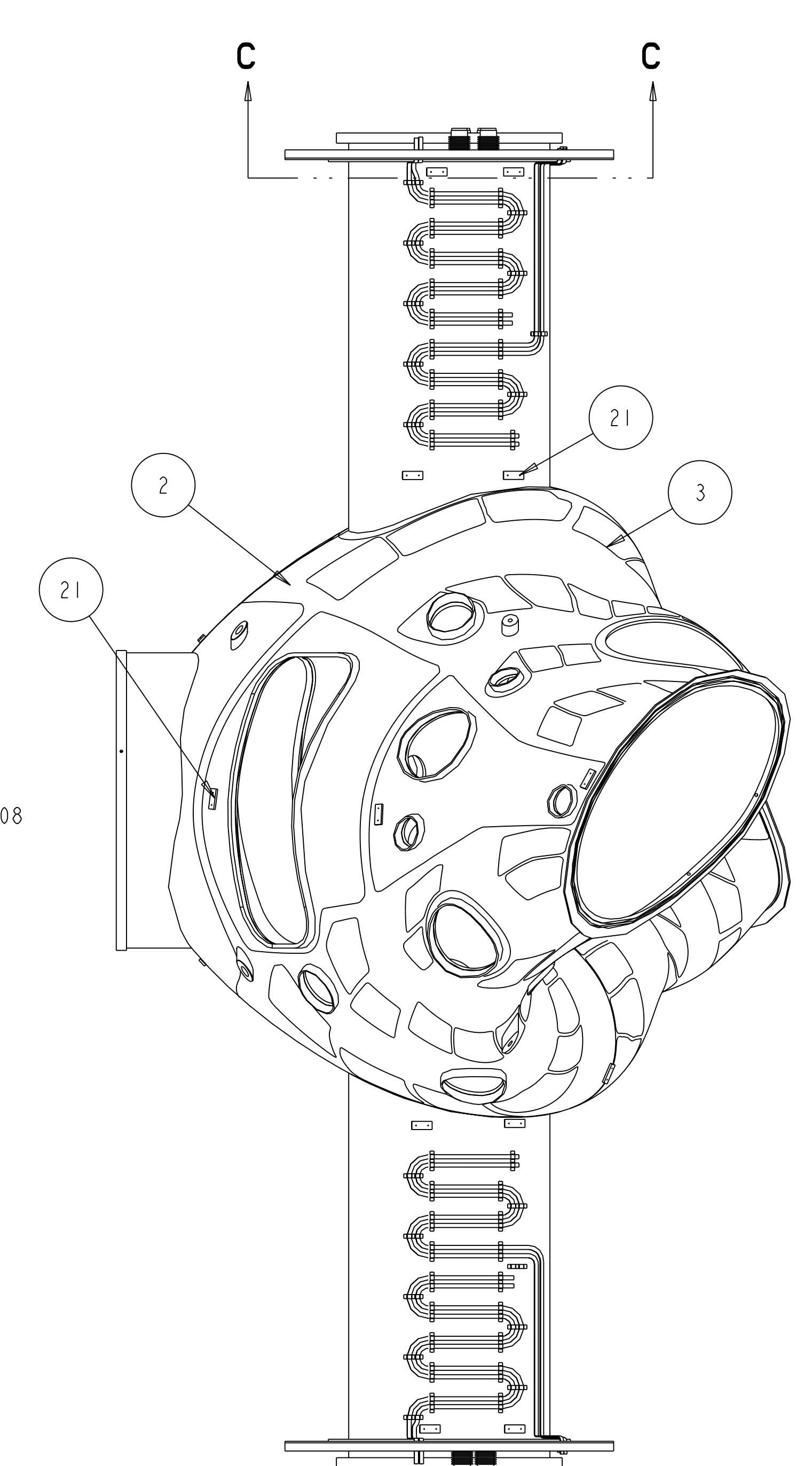
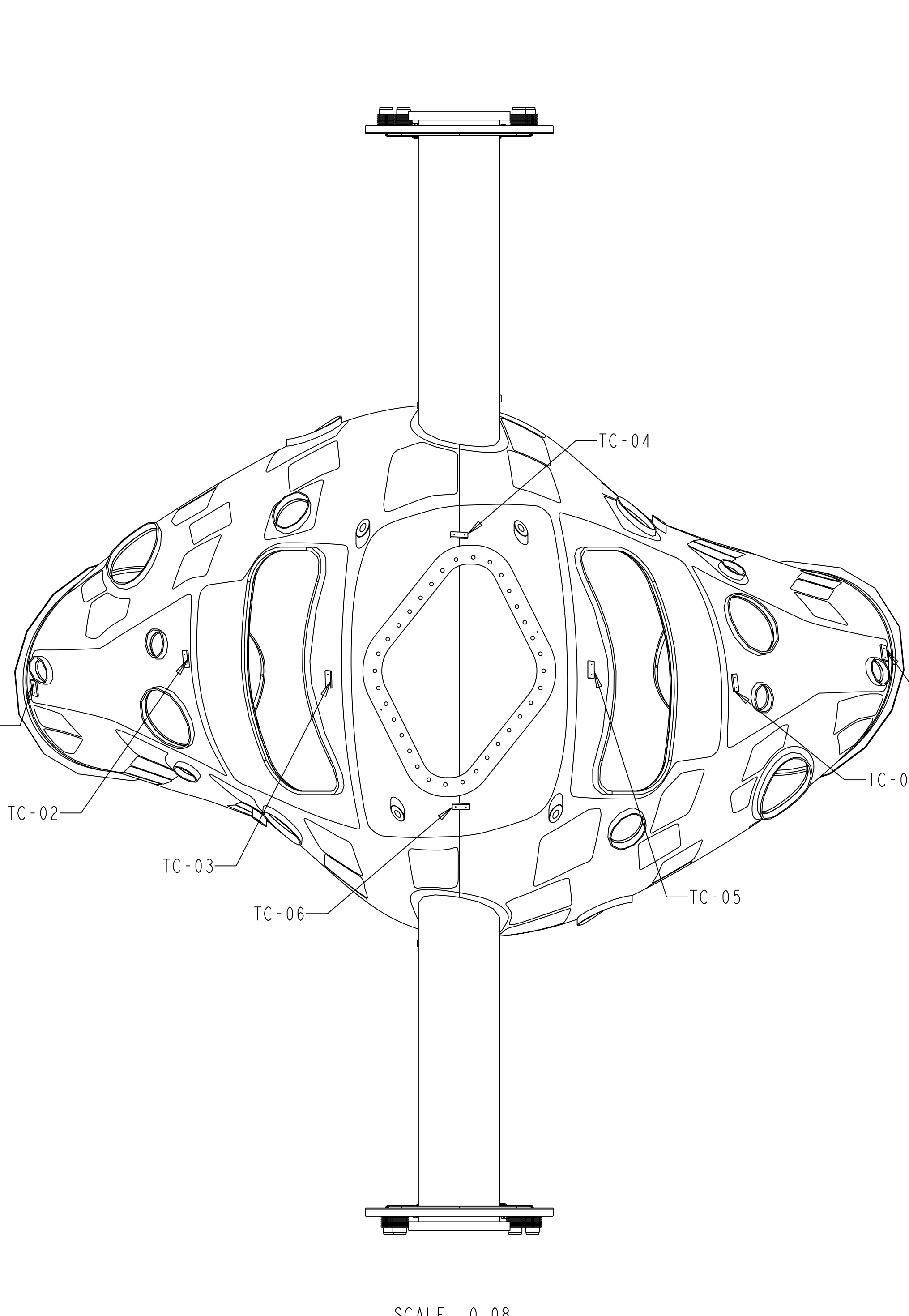


NOTES  
 1. INTERPRET DRAWING PER MECHANICAL ENGINEERING DRAFTING STANDARD ES-3.1-2.  
 2. INTERPRET DIMENSIONS AND TOLERANCES PER ANSI Y14.5M.  
 3. DIMENSIONS ARE INCHES



COORDINATES OF THERMOCOUPLE BLOCKS - POINT INDICATES CENTER OF BLOCK ON SURFACE OF VACUUM VESSEL. POINT LOCATIONS ARE APPROXIMATE. ADJUSTMENTS MAY BE REQUIRED TO ACCOMMODATE THE FLUX LOOPS.

Point Name	X	Y	Z
ORIGIN	0.000	0.000	0.000
TC-01	-61.692	-41.108	-2.463
TC-02	-39.675	-66.958	1.713
TC-03	-19.111	-86.851	-1.240
TC-04	-0.002	-88.319	19.828
TC-05	19.238	-86.922	0.189
TC-06	0.228	-88.011	-19.635
TC-07	40.015	-66.545	-1.729
TC-08	61.710	-41.017	2.543
TC-09	26.728	-27.258	-1.918
TC-10	0.662	-55.351	-0.821
TC-11	-25.340	-26.367	0.137
TC-12	1.031	-37.158	29.299
TC-13	0.394	-38.689	-33.260
TC-14	5.631	-62.522	39.620
TC-15	3.460	-50.212	39.630
TC-16	3.834	-50.146	76.620
TC-17	5.356	-59.524	76.620
TC-18	-3.829	-50.000	39.630
TC-19	-6.245	-62.267	38.630
TC-20	-3.898	-50.506	76.620
TC-21	-5.548	-59.862	76.620
TC-22	-3.476	-50.299	-39.370
TC-23	-5.646	-62.609	-39.620
TC-24	-3.476	-50.299	-76.620
TC-25	-5.125	-59.655	-76.620
TC-26	5.432	-61.394	-39.620
TC-27	3.435	-50.069	-39.370
TC-28	5.258	-60.409	-76.620
TC-29	3.435	-50.069	-76.620

REV	DESCRIPTION	BY	DATE	CHK	DEPT	DATE	PE	REQ	DATE	ORNL	DOE	DATE

REV	DESCRIPTION	BY	DATE	CHK	DEPT	DATE	PE	REQ	DATE	ORNL	DOE	DATE

SCALE	NOTED	DES	DATE	DRW	DATE	CHK	DATE	SECT	DEPT	PLANT	BLDG	FL	SHT	OF	TYPE	CLASS
		P. GORANSON	09/05	MT BROWN	09/05											

REV	DESCRIPTION	BY	DATE	CHK	DEPT	DATE	PE	REQ	DATE	ORNL	DOE	DATE

SCALE	NOTED	DES	DATE	DRW	DATE	CHK	DATE	SECT	DEPT	PLANT	BLDG	FL	SHT	OF	TYPE	CLASS
		P. GORANSON	09/05	MT BROWN	09/05											

REV	DESCRIPTION	BY	DATE	CHK	DEPT	DATE	PE	REQ	DATE	ORNL	DOE	DATE

NO REPRESENTATION OR WARRANTY, EXPRESSED OR IMPLIED, IS MADE AS TO THE ACCURACY, COMPLETENESS OR USEFULNESS OF THE INFORMATION OR STATEMENTS CONTAINED IN THESE DRAWINGS, OR THAT THE USE OR DISCLOSURE OF ANY INFORMATION, APPARATUS, METHOD OR PROCESS DISCLOSED IN THESE DRAWINGS MAY NOT INFRINGE PRIVATE RIGHTS OF OTHERS. NO LIABILITY IS ASSUMED WITH RESPECT TO THE USE OF, OR FOR DAMAGES RESULTING FROM THE USE OF, ANY INFORMATION, APPARATUS, METHOD OR PROCESS DISCLOSED IN THESE DRAWINGS. DRAWINGS MADE AVAILABLE FOR INFORMATION TO BIDDER ARE NOT TO BE USED FOR OTHER PURPOSES, AND ARE TO BE RETURNED UPON REQUEST OF THE FORWARDING CONTRACTOR.

**P** THIS DRAWING PRODUCED ON PRO-ENGINEER

SECTION C-C

BILL OF MATERIAL REFERENCES  
 BOM ON DRAWING SE123-049

Oak Ridge National Laboratory managed for the DEPARTMENT OF ENERGY under U.S. GOVERNMENT CONTRACT DE-AC05-00OR22725 UT-BATTELLE, LLC. Oak Ridge, Tennessee  
**NATIONAL COMPACT STELLARATOR EXPERIMENT**  
**VVSA PHASE I ASSEMBLY**

VERSION NO. PLANT BLDG FL SHT OF TYPE CLASS  
 1 5700 3 1 A U  
 RELEASE LEVEL SE121-004  
 DRAWING APPROVALS DATE