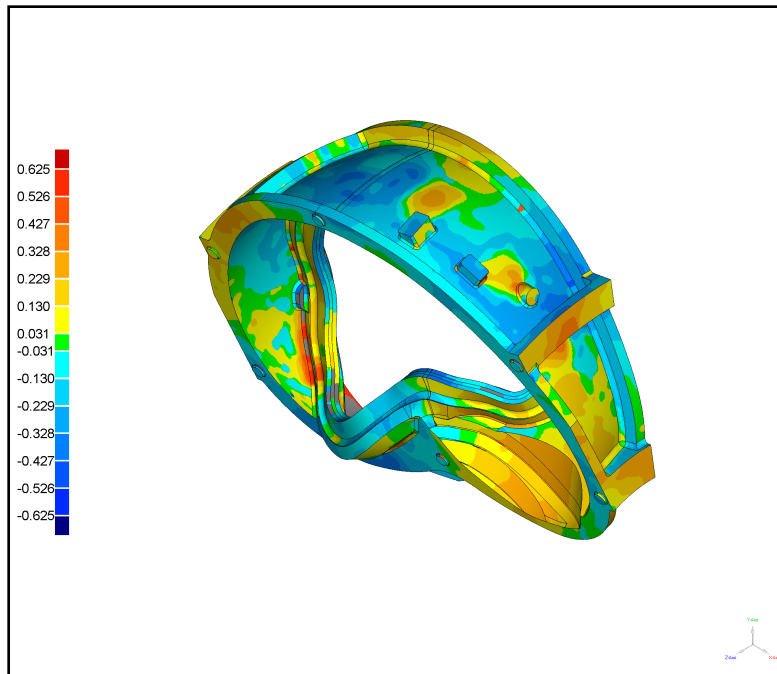


Qualify Report

Date: 1/10/2006, 3:50 pm



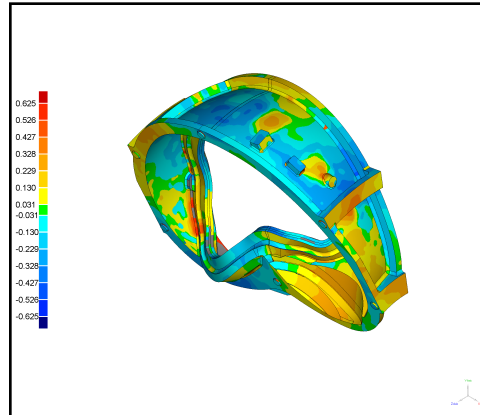
Part: lps-coil-a-casting

3D Comparison Results

Reference Model	lps-coil-a-casting
Test Model	Merged Points 1
# Data Points	1525481

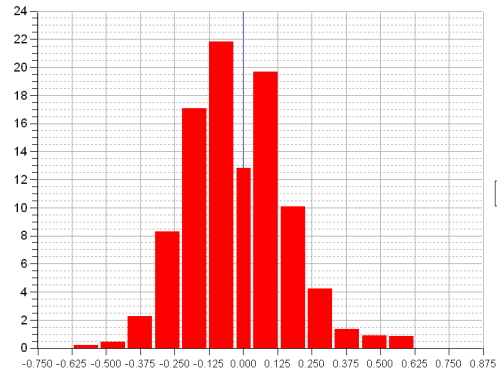
Tolerances	in
Max Tol +	0.625
Min Tol +	0.031
Min Tol -	-0.031
Max Tol -	-0.625

Deviation	in
Max Dev +	0.625
Max Dev -	-0.625
Average +/-	0.137 / -0.146
Std Dev	0.178



Percentage Deviations

>=Min	<Max	# Points	%
-0.625	-0.526	3175	0.208
-0.526	-0.427	6562	0.430
-0.427	-0.328	34805	2.282
-0.328	-0.229	126480	8.291
-0.229	-0.130	260202	17.057
-0.130	-0.031	333062	21.833
-0.031	0.031	195391	12.808
0.031	0.130	300436	19.695
0.130	0.229	153888	10.088
0.229	0.328	64441	4.224
0.328	0.427	20241	1.327
0.427	0.526	13822	0.906
0.526	0.625	12976	0.851

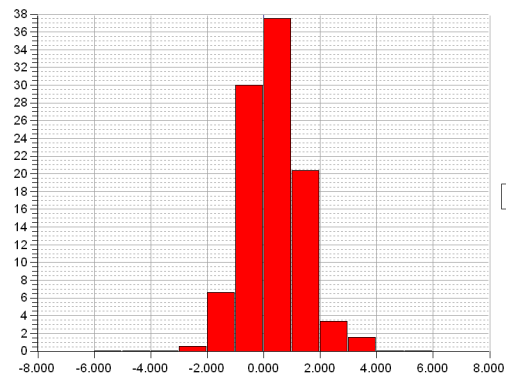


Deviation Distribution

Out of Max Tol +	0	0.000
Out of Max Tol -	0	0.000

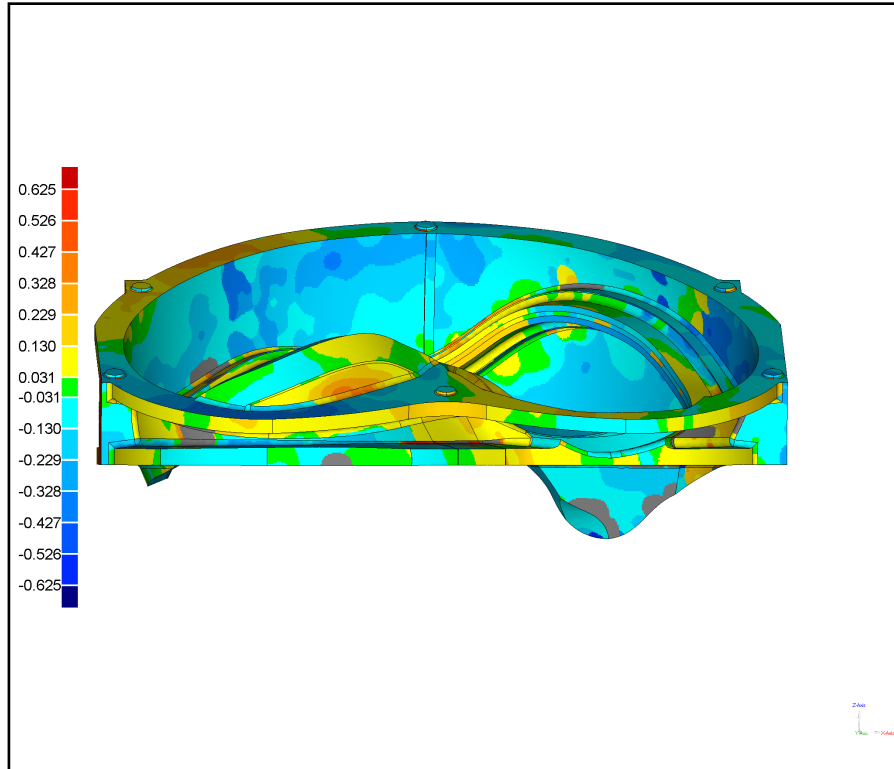
Standard Deviations

Distribution (+/-)	# Points	%
-6 * Std Dev	0	0.000
-5 * Std Dev	0	0.000
-4 * Std Dev	30	0.002
-3 * Std Dev	8170	0.536
-2 * Std Dev	101353	6.644
-1 * Std Dev	457238	29.973
1 * Std Dev	572127	37.505
2 * Std Dev	310769	20.372
3 * Std Dev	51471	3.374
4 * Std Dev	23997	1.573
5 * Std Dev	326	0.021
6 * Std Dev	0	0.000

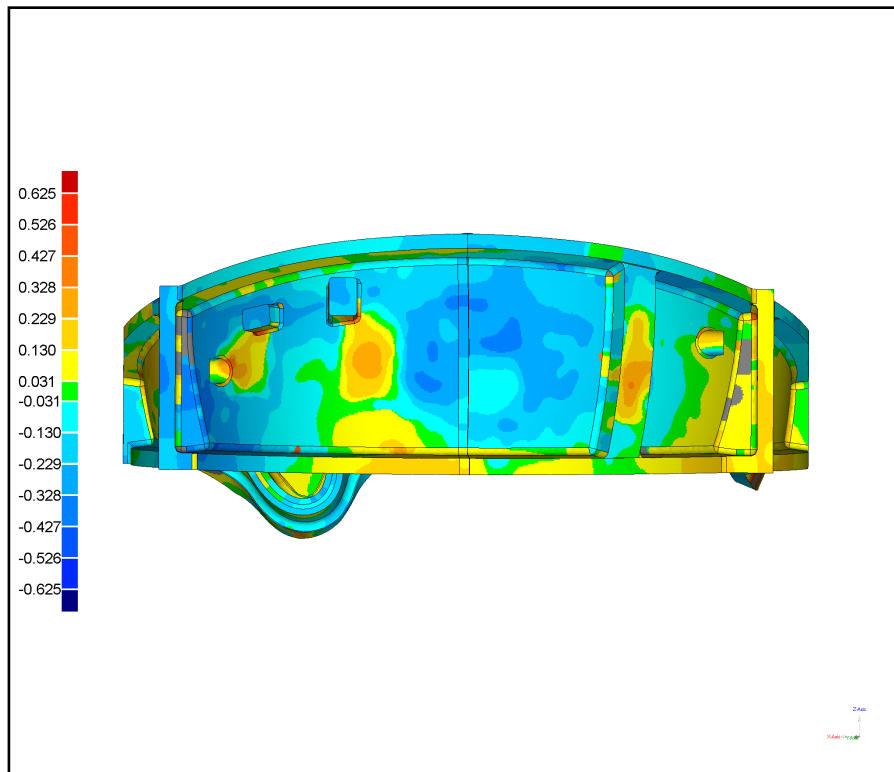


Standard Deviations

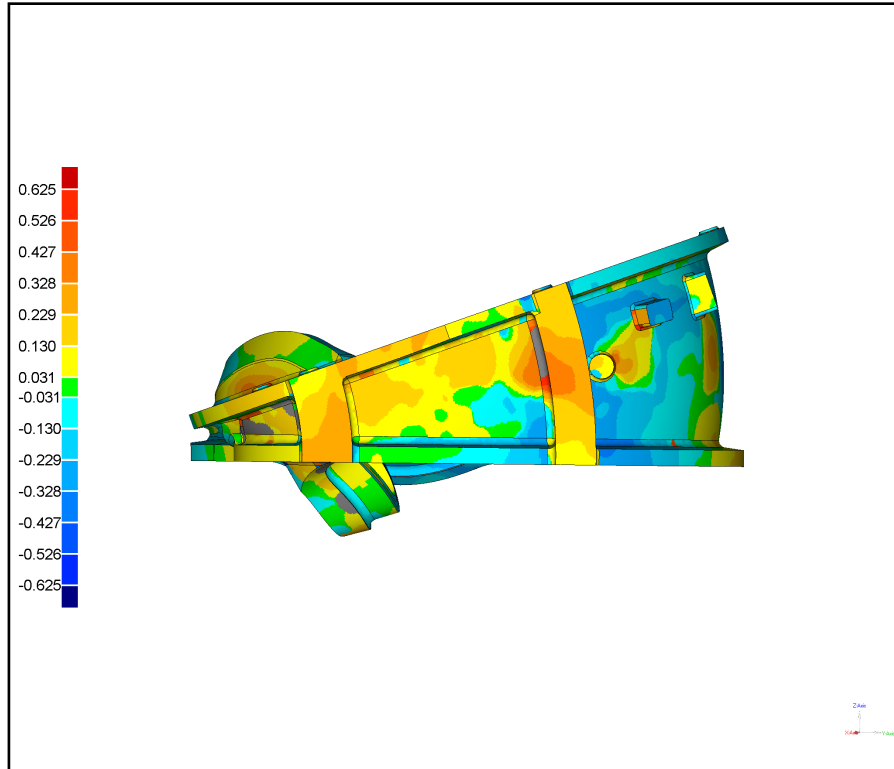
UserDefined: front



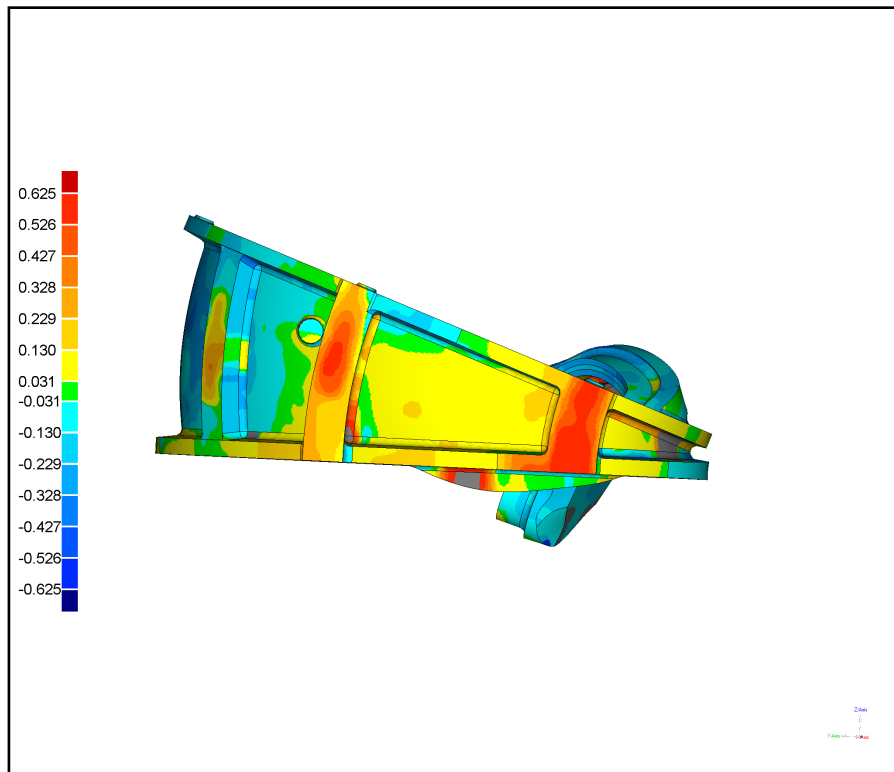
UserDefined: back



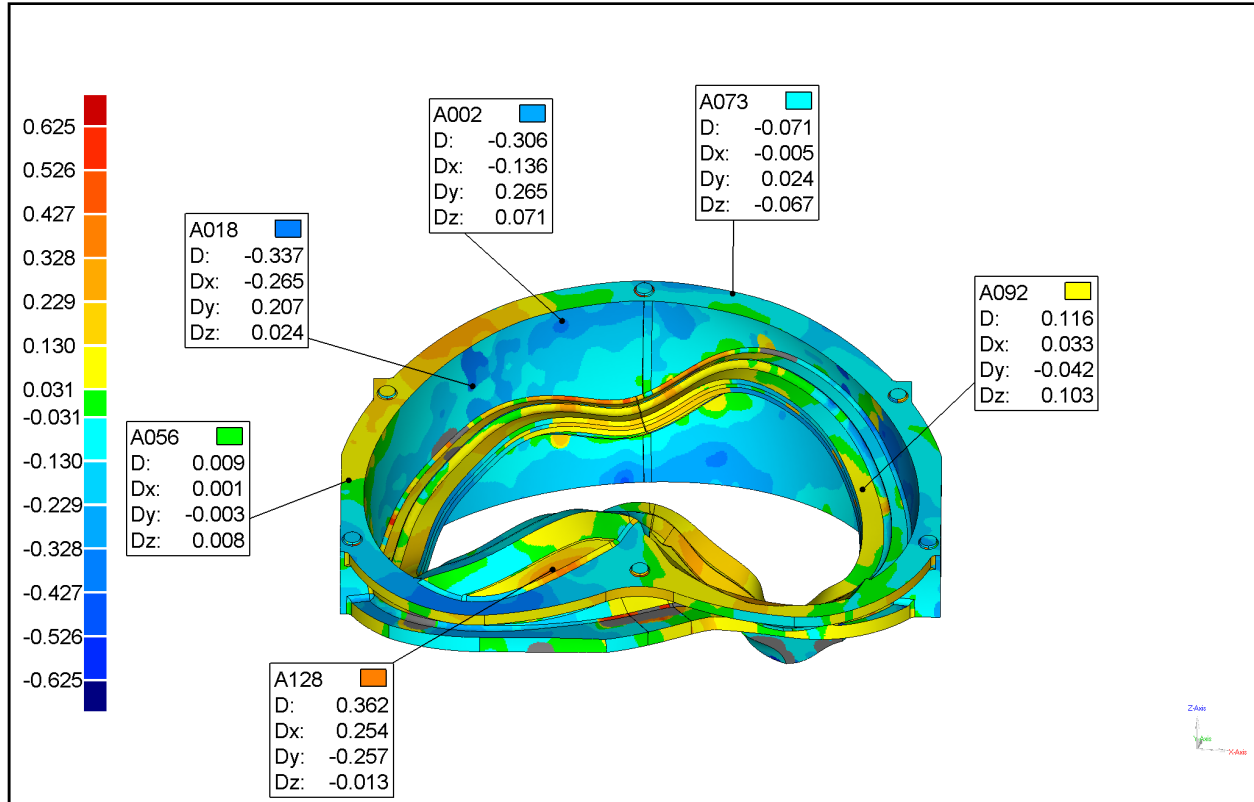
UserDefined: right



UserDefined: left



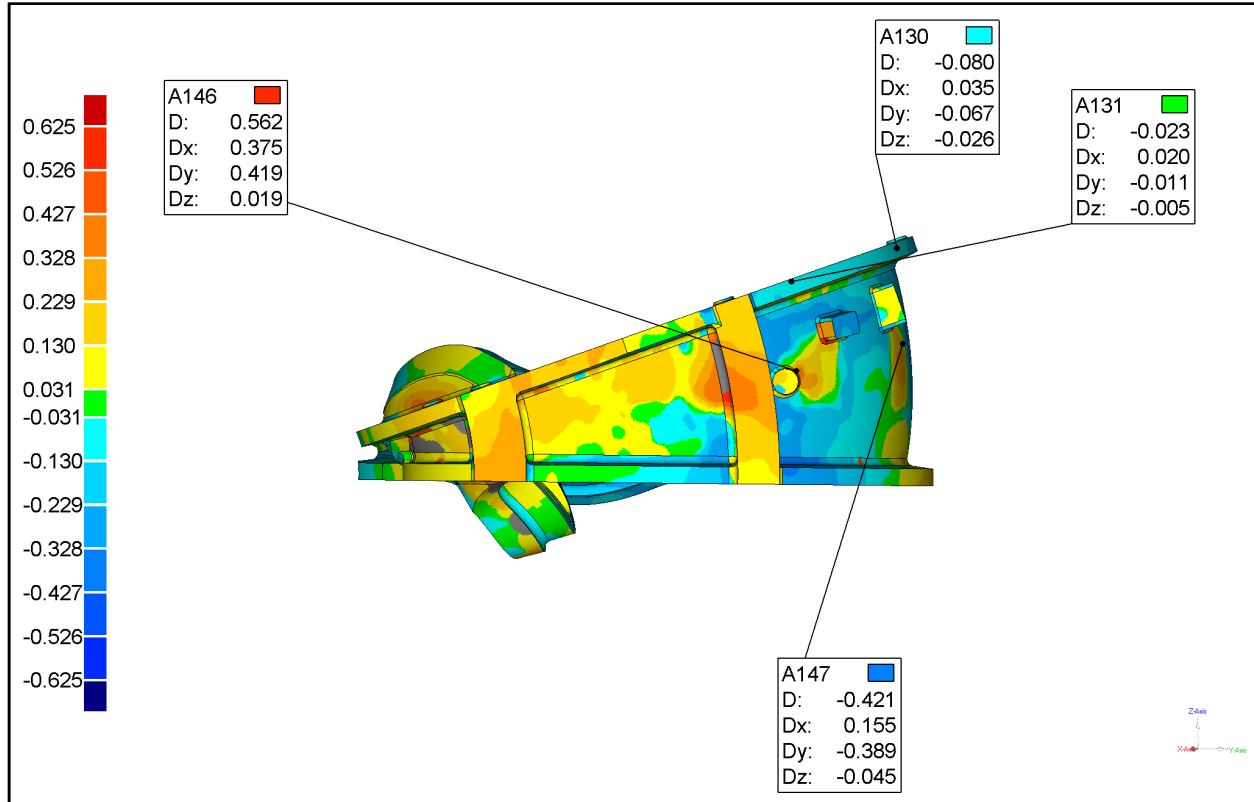
Annotated: Annotation View 1



Units: in

Name	Dev	Status	Tol +	Tol -	Ref X	Ref Y	Ref Z	Dev Radius	Dev X	Dev Y	Dev Z	Test X	Test Y	Test Z
A002	-0.306				46.845	21.141	26.325	0.039	-0.136	0.265	0.071	46.710	21.406	26.396
A018	-0.337				32.026	10.347	16.705	0.039	-0.265	0.207	0.024	31.762	10.555	16.729
A056	0.009				16.114	-29.463	12.999	0.039	0.001	-0.003	0.008	16.115	-29.466	13.007
A073	-0.071				77.086	30.224	30.157	0.039	-0.005	0.024	-0.067	77.082	30.248	30.090
A092	0.116				106.945	-0.959	5.944	0.039	0.033	-0.042	0.103	106.978	-1.000	6.047
A128	0.362				57.441	-47.218	5.288	0.039	0.254	-0.257	-0.013	57.695	-47.475	5.276

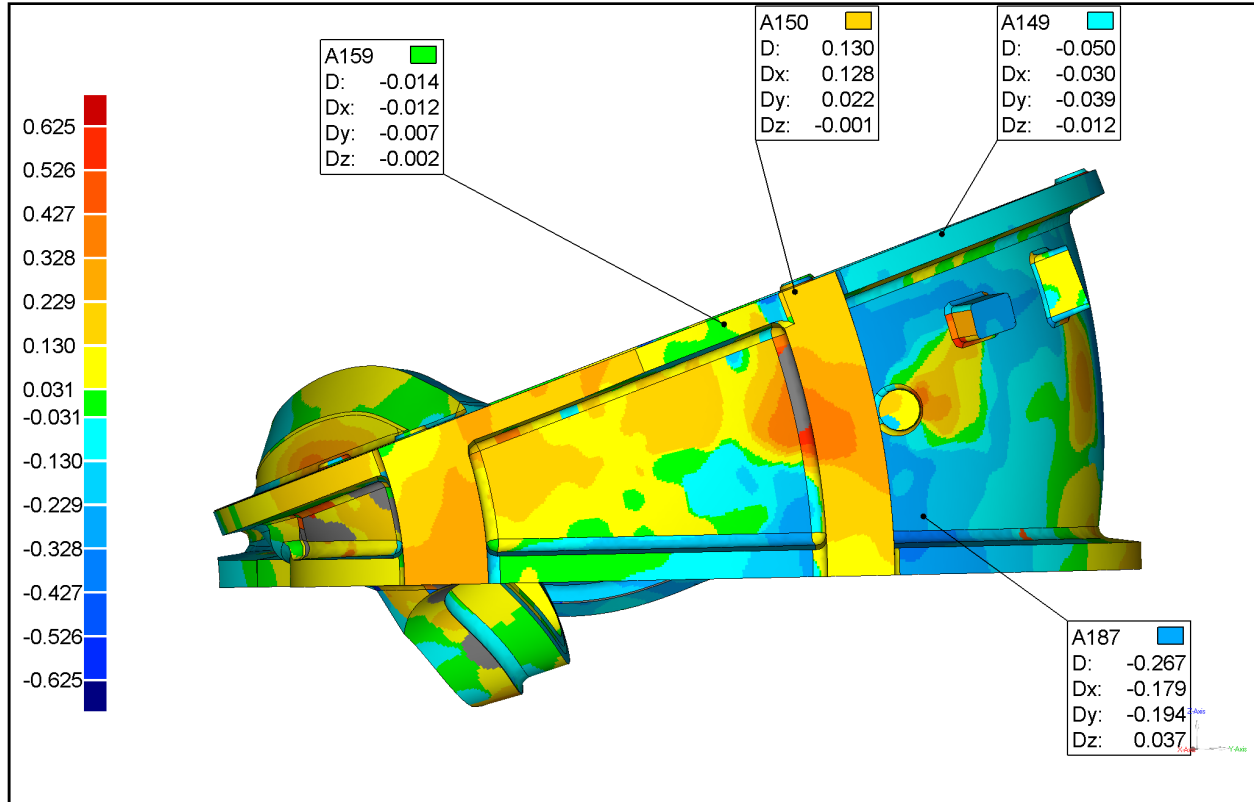
Annotated: Annotation View 2



Units: in

Name	Dev	Status	Tol +	Tol -	Ref X	Ref Y	Ref Z	Dev Radius	Dev X	Dev Y	Dev Z	Test X	Test Y	Test Z
A130	-0.080				44.485	25.369	29.632	0.039	0.035	-0.067	-0.026	44.520	25.303	29.606
A131	-0.023				23.238	5.082	24.436	0.039	0.020	-0.011	-0.005	23.258	5.071	24.431
A146	0.562				101.051	19.429	10.069	0.039	0.375	0.419	0.019	101.426	19.847	10.087
A147	-0.421				53.504	28.024	14.753	0.039	0.155	-0.389	-0.045	53.659	27.636	14.708

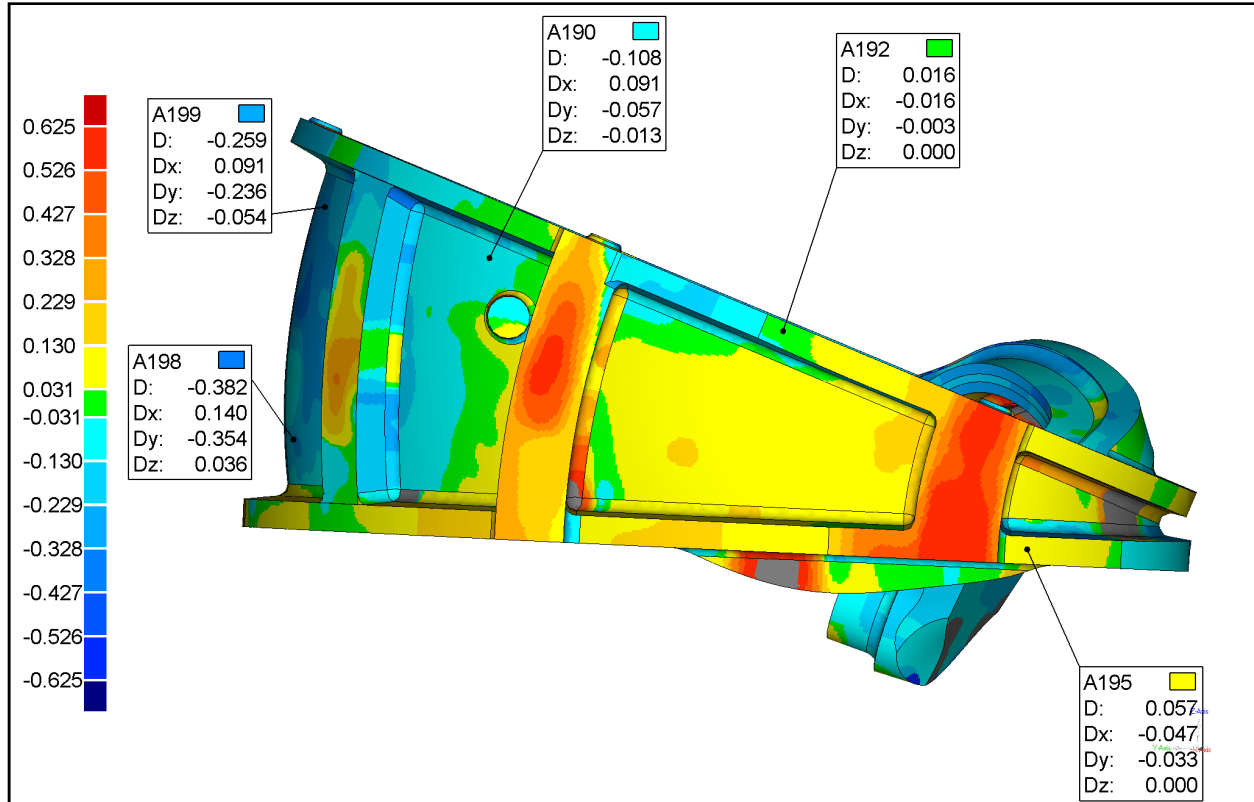
Annotated: Annotation View 4



Units: in

Name	Dev	Status	Tol +	Tol -	Ref X	Ref Y	Ref Z	Dev Radius	Dev X	Dev Y	Dev Z	Test X	Test Y	Test Z
A149	-0.050				99.831	22.105	25.298	0.039	-0.030	-0.039	-0.012	99.801	22.066	25.286
A150	0.130				114.205	10.023	19.953	0.039	0.128	0.022	-0.001	114.333	10.045	19.952
A159	-0.014				118.184	3.678	16.950	0.039	-0.012	-0.007	-0.002	118.171	3.671	16.948
A187	-0.267				99.661	19.674	-1.978	0.039	-0.179	-0.194	0.037	99.482	19.479	-1.942

Annotated: Annotation View 5



Units: in

Name	Dev	Status	Tol +	Tol -	Ref X	Ref Y	Ref Z	Dev Radius	Dev X	Dev Y	Dev Z	Test X	Test Y	Test Z
A190	-0.108				27.582	6.164	19.338	0.039	0.091	-0.057	-0.013	27.673	6.107	19.325
A192	0.016				13.875	-24.609	13.915	0.039	-0.016	-0.003	0.000	13.860	-24.611	13.915
A195	0.057				20.769	-47.748	-5.554	0.039	-0.047	-0.033	0.000	20.722	-47.781	-5.553
A198	-0.382				55.183	28.816	1.119	0.039	0.140	-0.354	0.036	55.323	28.462	1.154
A199	-0.259				53.519	26.590	23.167	0.039	0.091	-0.236	-0.054	53.610	26.354	23.113

Annotated: All

Units: in

Name	Dev	Status	Tol +	Tol -	Ref X	Ref Y	Ref Z	Dev Radius	Dev X	Dev Y	Dev Z	Test X	Test Y	Test Z
A002	-0.306				46.845	21.141	26.325	0.039	-0.136	0.265	0.071	46.710	21.406	26.396
A018	-0.337				32.026	10.347	16.705	0.039	-0.265	0.207	0.024	31.762	10.555	16.729
A056	0.009				16.114	-29.463	12.999	0.039	0.001	-0.003	0.008	16.115	-29.466	13.007
A073	-0.071				77.086	30.224	30.157	0.039	-0.005	0.024	-0.067	77.082	30.248	30.090
A092	0.116				106.945	-0.959	5.944	0.039	0.033	-0.042	0.103	106.978	-1.000	6.047
A128	0.362				57.441	-47.218	5.288	0.039	0.254	-0.257	-0.013	57.695	-47.475	5.276
A130	-0.080				44.485	25.369	29.632	0.039	0.035	-0.067	-0.026	44.520	25.303	29.606
A131	-0.023				23.238	5.082	24.436	0.039	0.020	-0.011	-0.005	23.258	5.071	24.431
A146	0.562				101.051	19.429	10.069	0.039	0.375	0.419	0.019	101.426	19.847	10.087
A147	-0.421				53.504	28.024	14.753	0.039	0.155	-0.389	-0.045	53.659	27.636	14.708
A149	-0.050				99.831	22.105	25.298	0.039	-0.030	-0.039	-0.012	99.801	22.066	25.286
A150	0.130				114.205	10.023	19.953	0.039	0.128	0.022	-0.001	114.333	10.045	19.952
A159	-0.014				118.184	3.678	16.950	0.039	-0.012	-0.007	-0.002	118.171	3.671	16.948
A187	-0.267				99.661	19.674	-1.978	0.039	-0.179	-0.194	0.037	99.482	19.479	-1.942
A190	-0.108				27.582	6.164	19.338	0.039	0.091	-0.057	-0.013	27.673	6.107	19.325
A192	0.016				13.875	-24.609	13.915	0.039	-0.016	-0.003	0.000	13.860	-24.611	13.915
A195	0.057				20.769	-47.748	-5.554	0.039	-0.047	-0.033	0.000	20.722	-47.781	-5.553
A198	-0.382				55.183	28.816	1.119	0.039	0.140	-0.354	0.036	55.323	28.462	1.154
A199	-0.259				53.519	26.590	23.167	0.039	0.091	-0.236	-0.054	53.610	26.354	23.113