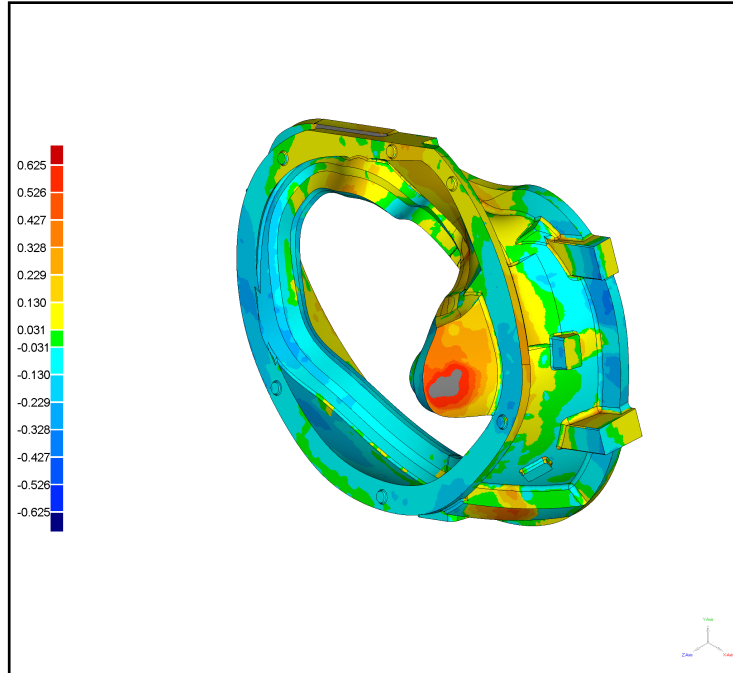


### Qualify Report

Title: B#-AR  
Date: 5/2/2006, 8:42 am



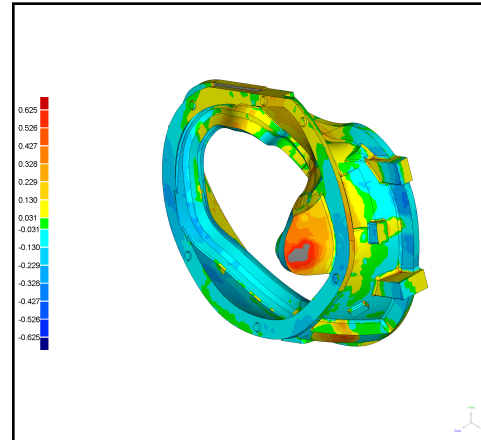
Author: Steve Pilgram  
Part: B3 Coil  
Test: Merged Points 7

### 3D Comparison Results

Reference Model	coil-b-less-shrink
Test Model	Merged Points 7
# Data Points	1194949

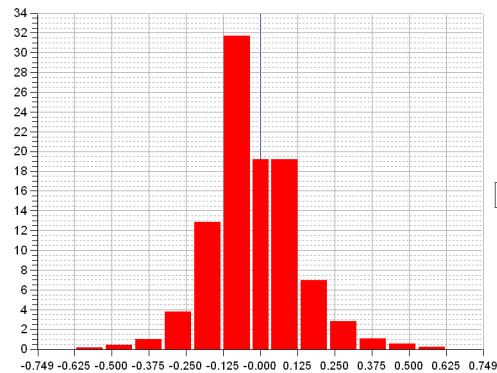
Tolerances	in
Max Tol +	0.625
Min Tol +	0.031
Min Tol -	-0.031
Max Tol -	-0.625

Deviation	in
Max Dev +	0.625
Max Dev -	-0.624
Average +/-	0.108 / -0.108
Std Dev	0.141



#### Percentage Deviations

>=Min	<Max	# Points	%
-0.625	-0.526	2201	0.184
-0.526	-0.427	4918	0.412
-0.427	-0.328	11799	0.987
-0.328	-0.229	45322	3.793
-0.229	-0.130	153942	12.883
-0.130	-0.031	379046	31.721
-0.031	0.031	229427	19.200
0.031	0.130	229226	19.183
0.130	0.229	82986	6.945
0.229	0.328	33473	2.801
0.328	0.427	13114	1.097
0.427	0.526	6769	0.566
0.526	0.625	2725	0.228

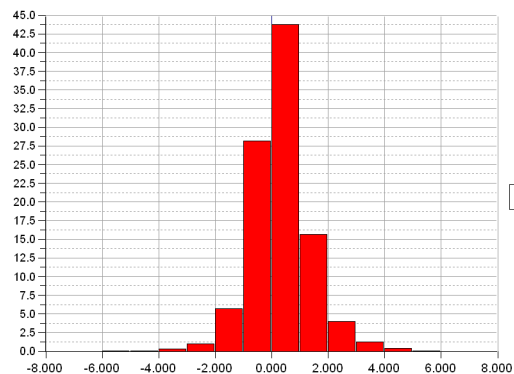


Deviation Distribution

Out of Max Tol +	1	0.000
Out of Max Tol -	0	0.000

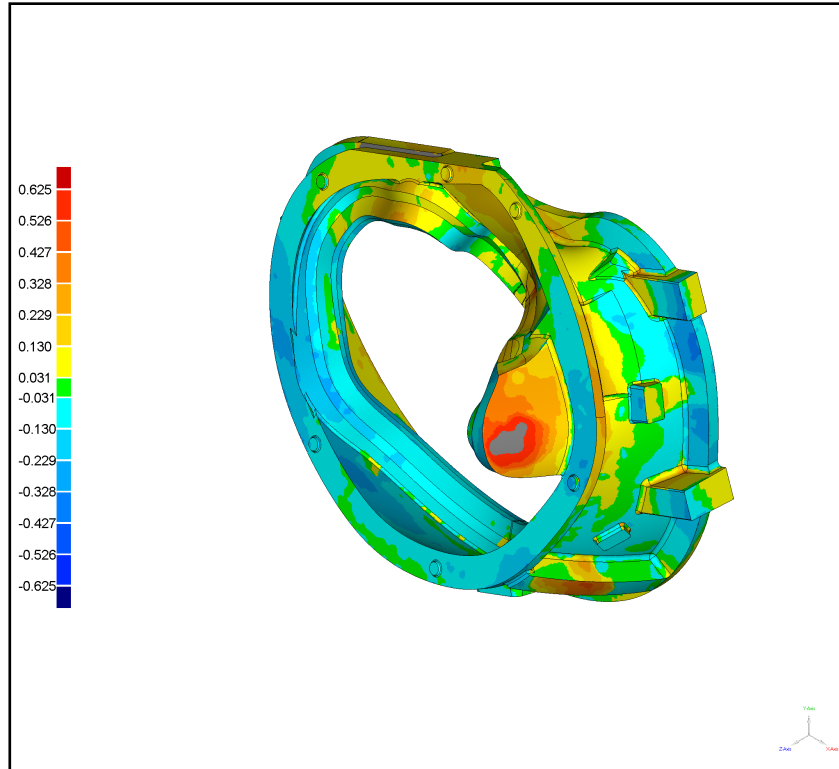
#### Standard Deviations

Distribution (+/-)	# Points	%
-6 * Std Dev	0	0.000
-5 * Std Dev	0	0.000
-4 * Std Dev	3536	0.296
-3 * Std Dev	11443	0.958
-2 * Std Dev	68105	5.699
-1 * Std Dev	336463	28.157
1 * Std Dev	522752	43.747
2 * Std Dev	186727	15.626
3 * Std Dev	47332	3.961
4 * Std Dev	14407	1.206
5 * Std Dev	4184	0.350
6 * Std Dev	0	0.000

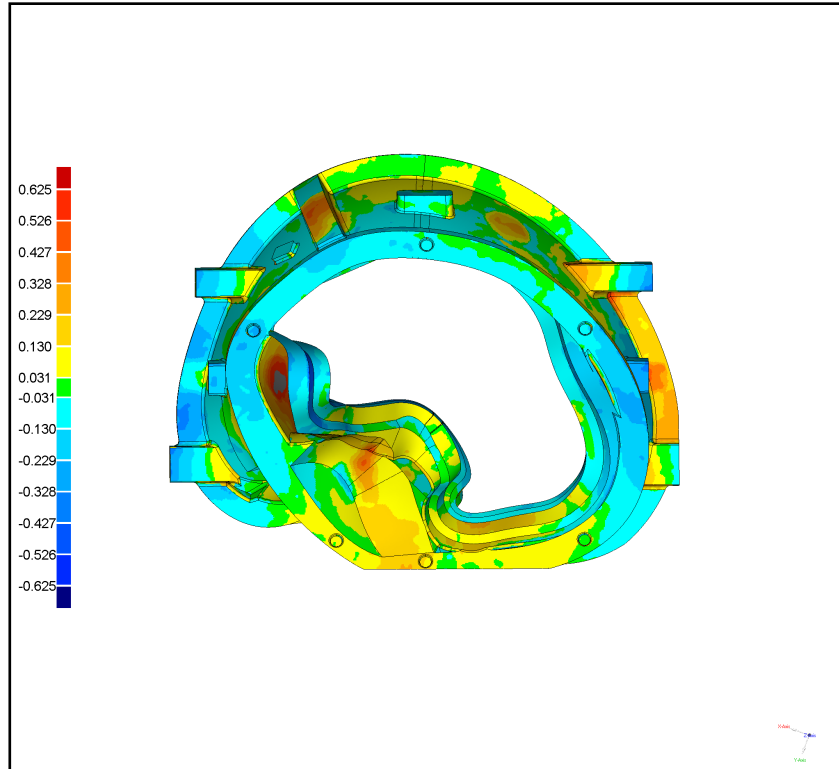


Standard Deviations

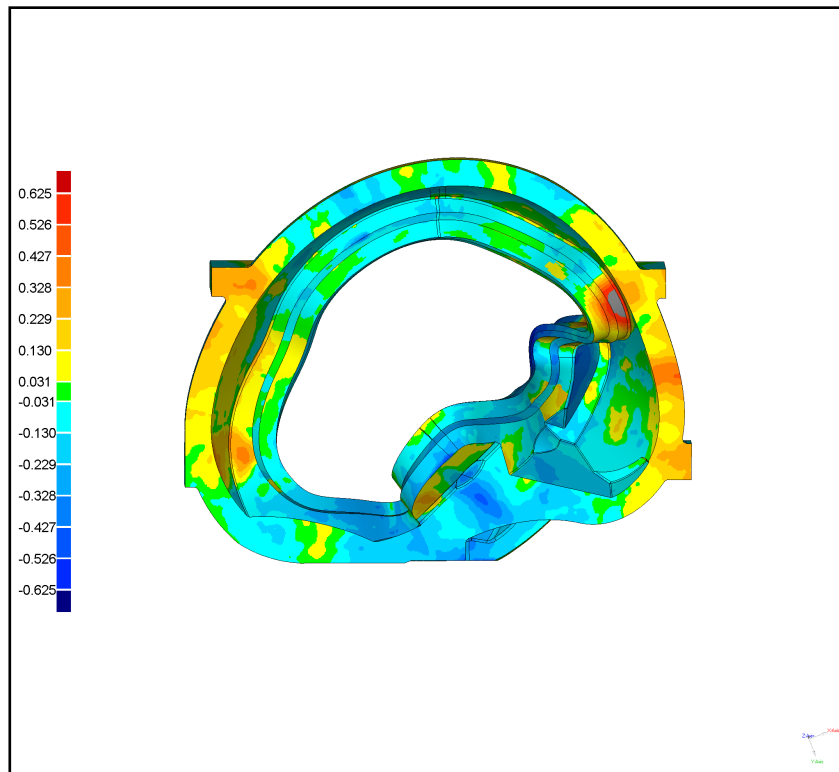
Predefined: Isometric



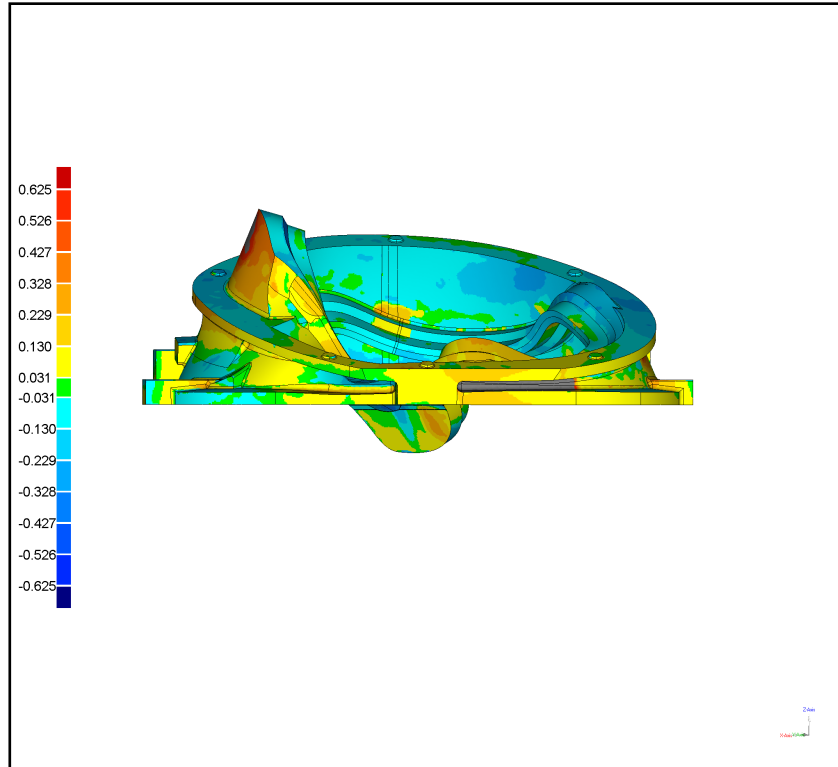
UserDefined: top



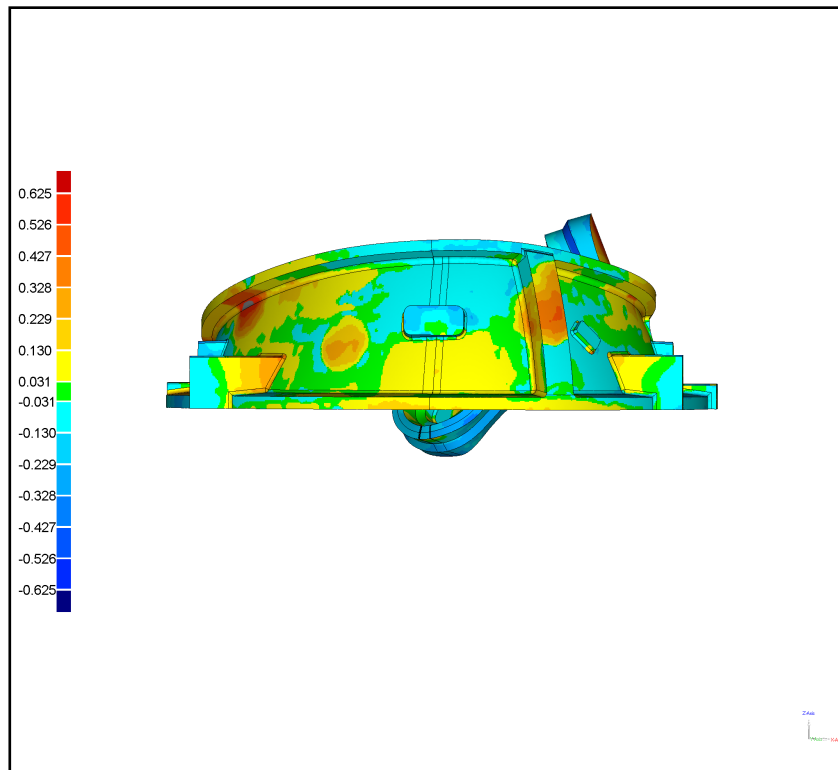
UserDefined: bottom



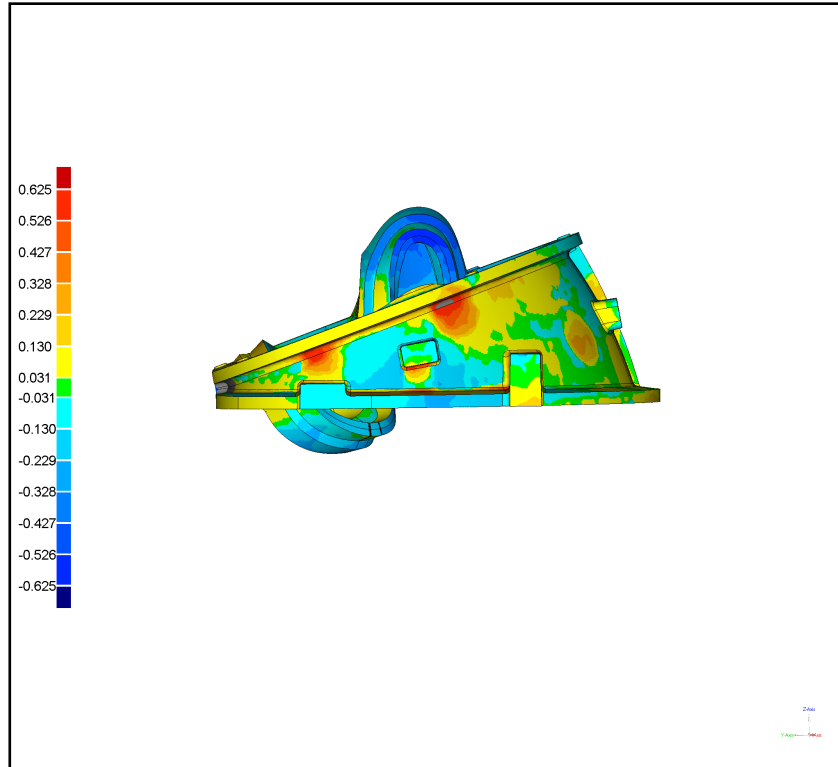
UserDefined: front



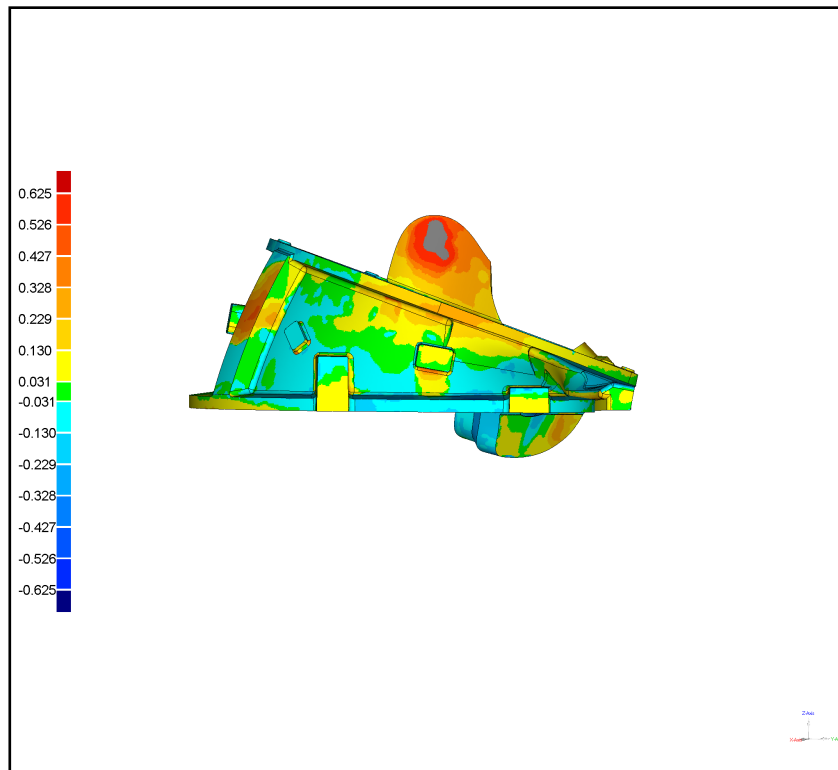
UserDefined: back



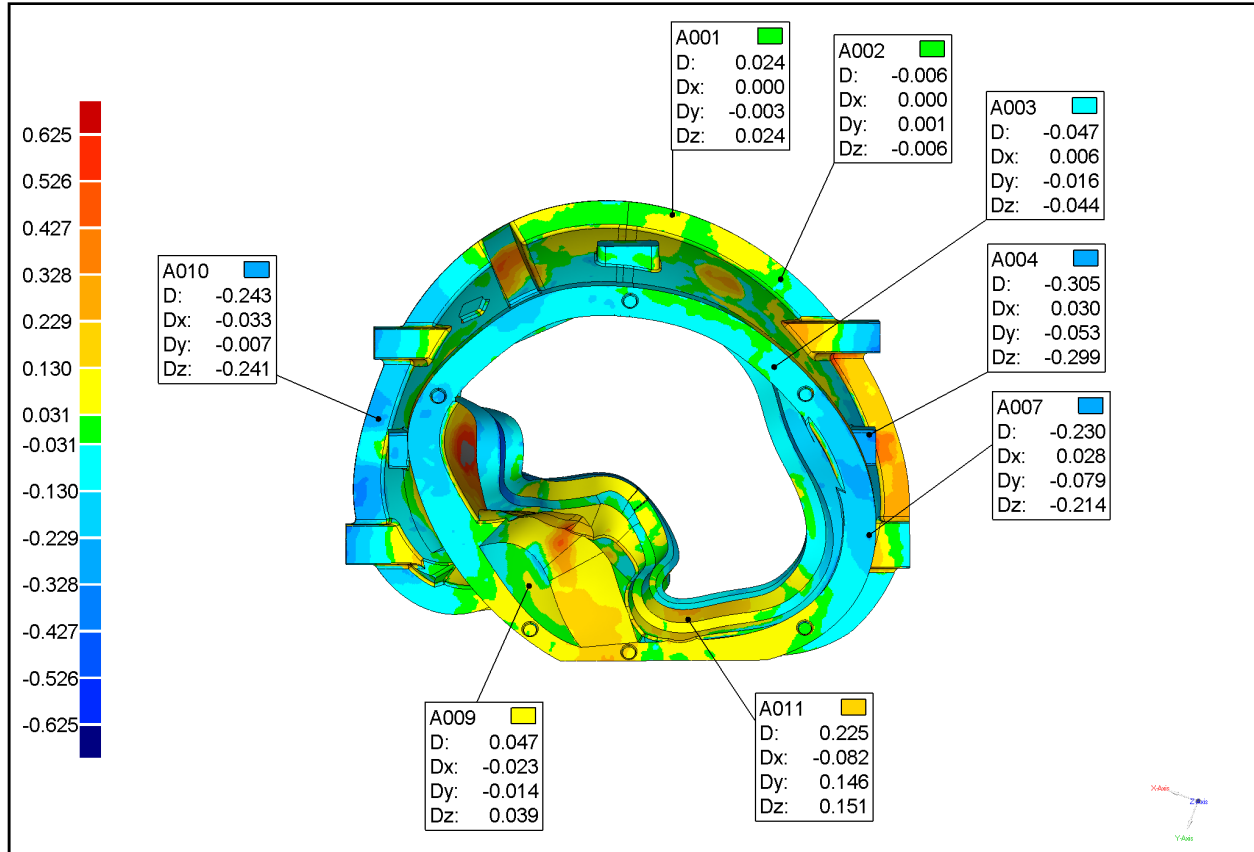
UserDefined: right



UserDefined: left



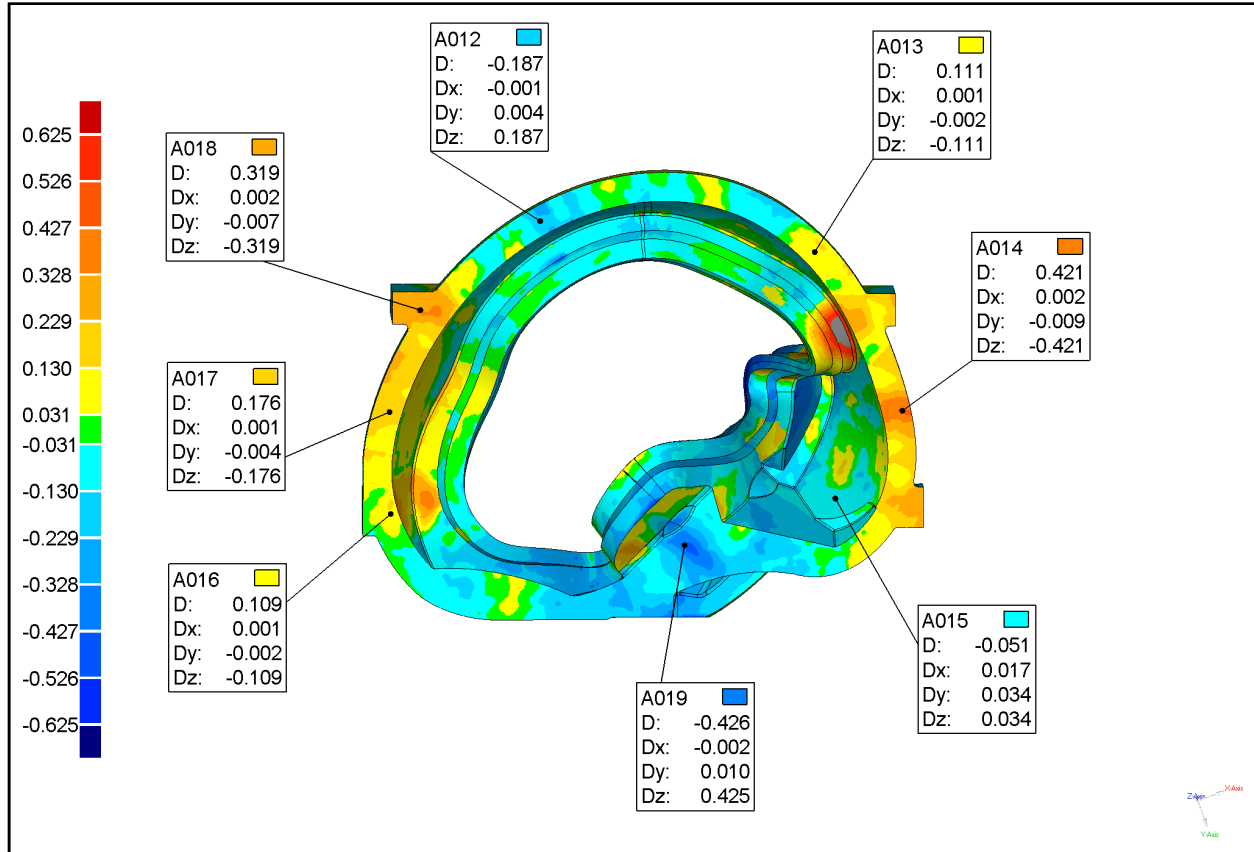
**Annotated: Annotation View 1**



Units: in

Name	Dev	Status	Tol +	Tol -	Ref X	Ref Y	Ref Z	Dev Radius	Dev X	Dev Y	Dev Z	Test X	Test Y	Test Z
A001	0.024				7.828	-96.745	-12.916	0.039	0.000	-0.003	0.024	7.829	-96.748	-12.892
A002	-0.006				-16.398	-92.093	-12.963	0.039	0.000	0.001	-0.006	-16.398	-92.092	-12.970
A003	-0.047				-20.457	-75.229	12.087	0.039	0.006	-0.016	-0.044	-20.451	-75.245	12.043
A004	-0.305				-42.810	-69.297	-3.043	0.039	0.030	-0.053	-0.299	-42.780	-69.350	-3.342
A007	-0.230				-49.423	-50.825	-0.680	0.039	0.028	-0.079	-0.214	-49.395	-50.904	-0.894
A009	0.047				9.675	-18.897	-7.865	0.039	-0.023	-0.014	0.039	9.652	-18.912	-7.826
A010	-0.243				48.363	-39.650	-13.802	0.039	-0.033	-0.007	-0.241	48.330	-39.657	-14.043
A011	0.225				-21.802	-23.312	-6.093	0.039	-0.082	0.146	0.151	-21.884	-23.166	-5.943

**Annotated: Annotation View 2**

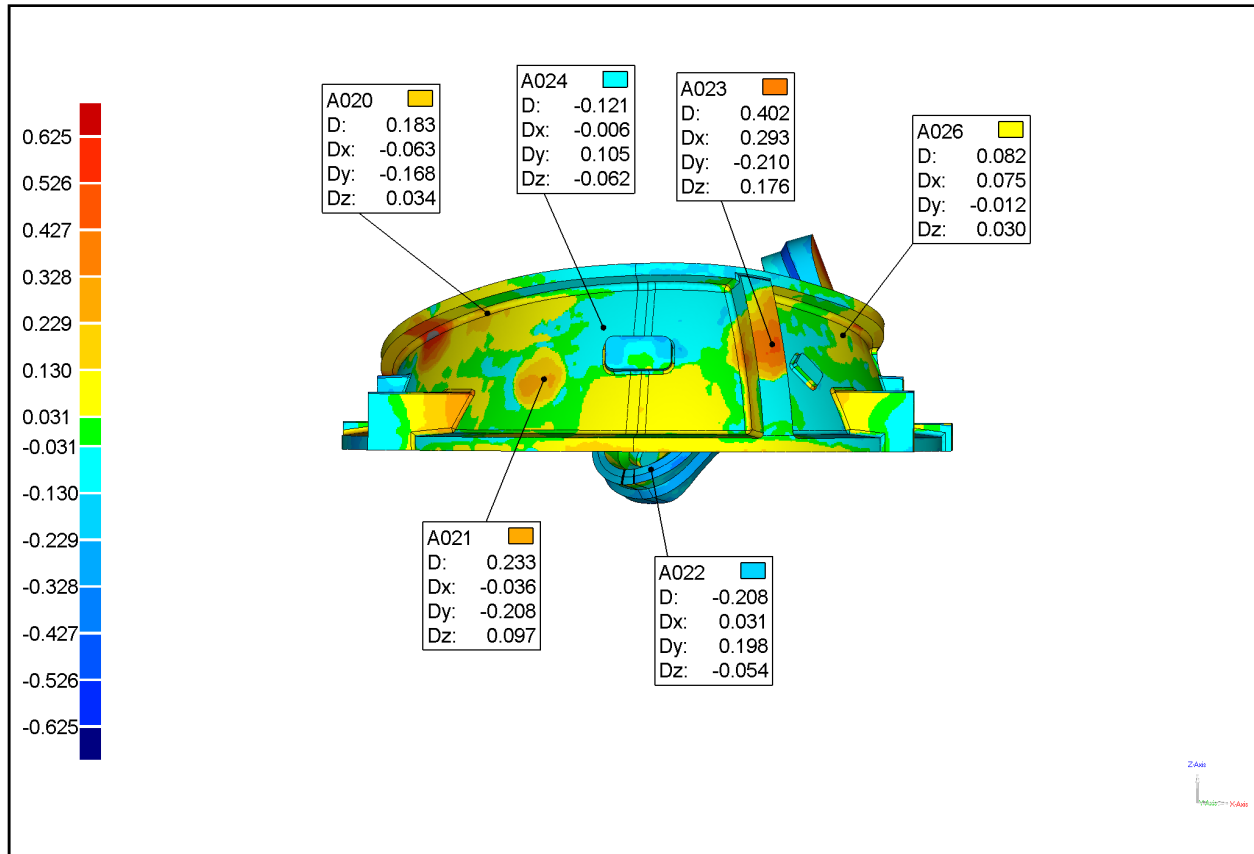


Units: in

Name	Dev	Status	Tol +	Tol -	Ref X	Ref Y	Ref Z	Dev Radius	Dev X	Dev Y	Dev Z	Test X	Test Y	Test Z
A012	-0.187				-5.194	-94.339	-15.665	0.039	-0.001	0.004	0.187	-5.195	-94.335	-15.479
A013	0.111				43.328	-69.701	-15.989	0.039	0.001	-0.002	-0.111	43.328	-69.703	-16.100
A014	0.421				48.657	-33.981	-16.766	0.039	0.002	-0.009	-0.421	48.659	-33.991	-17.188
A015	-0.051				30.109	-20.758	-9.995	0.039	0.017	0.034	0.034	30.126	-20.723	-9.961
A016	0.109				-52.769	-49.782	-16.892	0.039	0.001	-0.002	-0.109	-52.768	-49.784	-17.001
A017	0.176				-46.047	-68.948	-16.430	0.039	0.001	-0.004	-0.176	-46.046	-68.952	-16.606
A018	0.319				-33.381	-85.903	-15.989	0.039	0.002	-0.007	-0.319	-33.380	-85.911	-16.308
A019	-0.426				-0.681	-23.816	-17.229	0.039	-0.002	0.010	0.425	-0.683	-23.807	-16.803



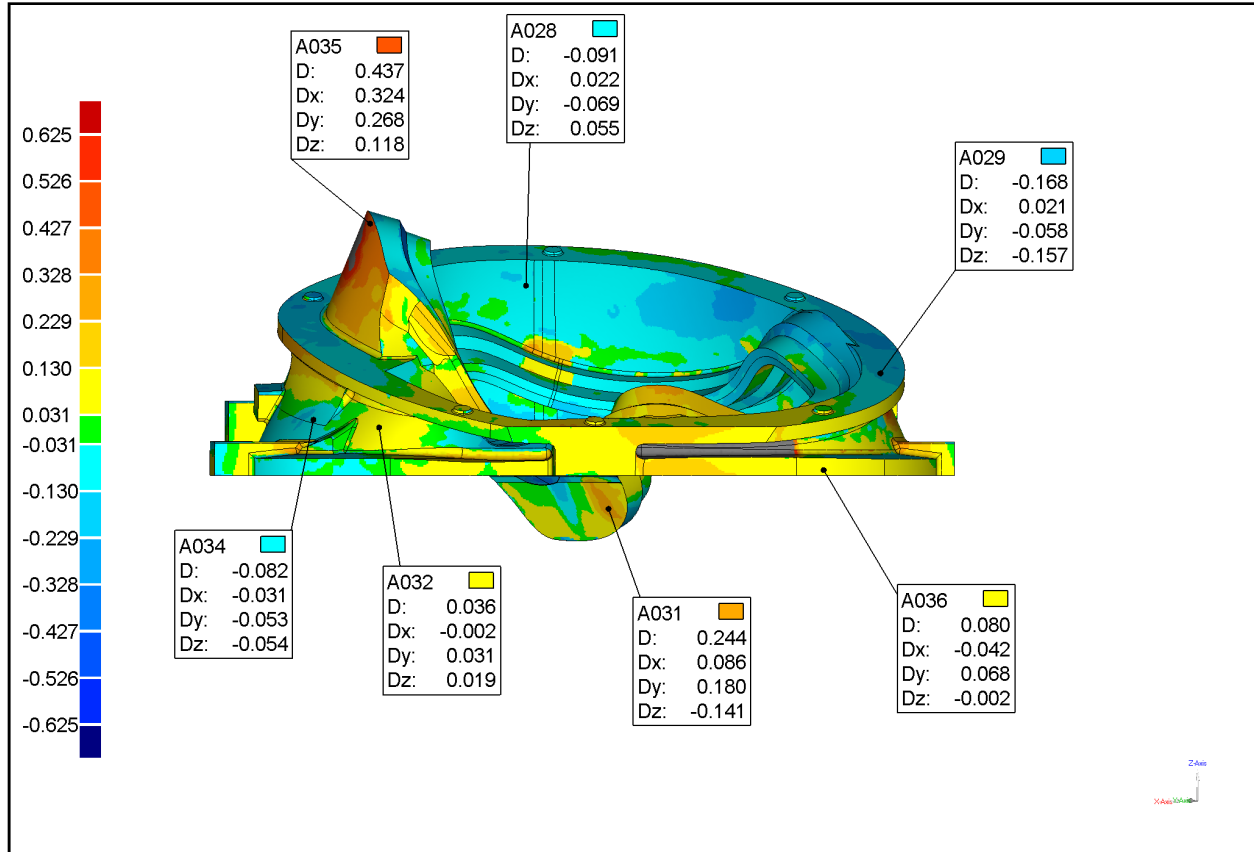
**Annotated: Annotation View 3**



Units: in

Name	Dev	Status	Tol +	Tol -	Ref X	Ref Y	Ref Z	Dev Radius	Dev X	Dev Y	Dev Z	Test X	Test Y	Test Z
A020	0.183				-19.937	-76.172	8.675	0.039	-0.063	-0.168	0.034	-19.999	-76.340	8.709
A021	0.233				-4.115	-87.948	-2.800	0.039	-0.036	-0.208	0.097	-4.151	-88.156	-2.702
A022	-0.208				-0.529	-44.973	-20.241	0.039	0.031	0.198	-0.054	-0.497	-44.775	-20.295
A023	0.402				35.783	-76.244	3.586	0.039	0.293	-0.210	0.176	36.076	-76.454	3.762
A024	-0.121				5.783	-83.718	6.538	0.039	-0.006	0.105	-0.062	5.777	-83.613	6.476
A026	0.082				39.374	-50.751	4.601	0.039	0.075	-0.012	0.030	39.450	-50.763	4.631

**Annotated: Annotation View 4**



Units: in

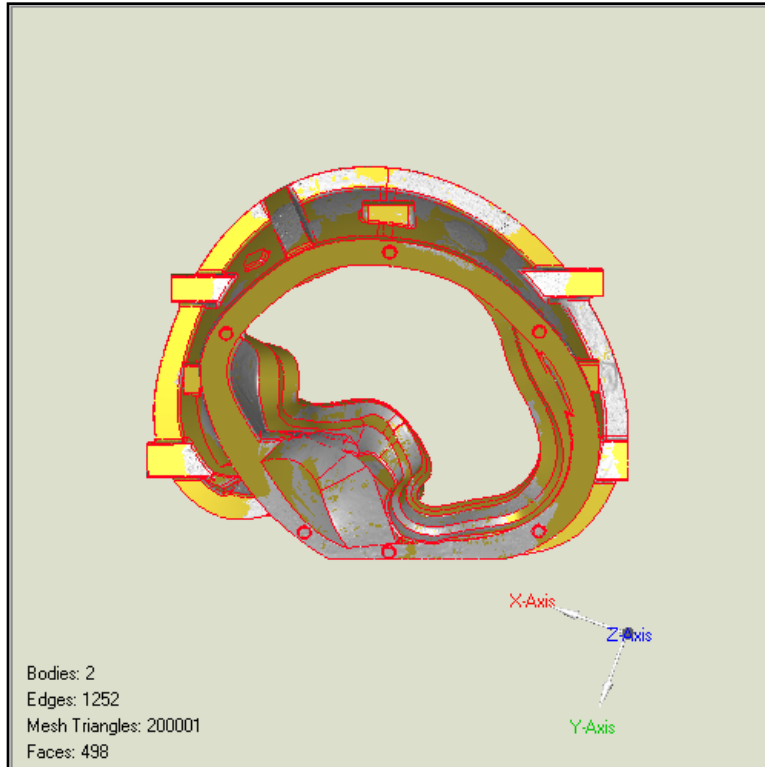
Name	Dev	Status	Tol +	Tol -	Ref X	Ref Y	Ref Z	Dev Radius	Dev X	Dev Y	Dev Z	Test X	Test Y	Test Z
A028	-0.091				14.404	-76.480	12.200	0.039	0.022	-0.069	0.055	14.426	-76.549	12.255
A029	-0.168				-47.945	-47.480	-1.714	0.039	0.021	-0.058	-0.157	-47.925	-47.537	-1.871
A031	0.244				-11.359	-27.972	-22.122	0.039	0.086	0.180	-0.141	-11.274	-27.792	-22.264
A032	0.036				20.974	-16.781	-10.168	0.039	-0.002	0.031	0.019	20.972	-16.750	-10.149
A034	-0.082				32.140	-20.688	-8.888	0.039	-0.031	-0.053	-0.054	32.109	-20.742	-8.942
A035	0.437				27.558	-35.941	20.559	0.039	0.324	0.268	0.118	27.883	-35.674	20.677
A036	0.080				-45.267	-25.017	-16.571	0.039	-0.042	0.068	-0.002	-45.308	-24.949	-16.572

**Annotated: All**

Units: in

Name	Dev	Status	Tol +	Tol -	Ref X	Ref Y	Ref Z	Dev Radius	Dev X	Dev Y	Dev Z	Test X	Test Y	Test Z
A001	0.024				7.828	-96.745	-12.916	0.039	0.000	-0.003	0.024	7.829	-96.748	-12.892
A002	-0.006				-16.398	-92.093	-12.963	0.039	0.000	0.001	-0.006	-16.398	-92.092	-12.970
A003	-0.047				-20.457	-75.229	12.087	0.039	0.006	-0.016	-0.044	-20.451	-75.245	12.043
A004	-0.305				-42.810	-69.297	-3.043	0.039	0.030	-0.053	-0.299	-42.780	-69.350	-3.342
A007	-0.230				-49.423	-50.825	-0.680	0.039	0.028	-0.079	-0.214	-49.395	-50.904	-0.894
A009	0.047				9.675	-18.897	-7.865	0.039	-0.023	-0.014	0.039	9.652	-18.912	-7.826
A010	-0.243				48.363	-39.650	-13.802	0.039	-0.033	-0.007	-0.241	48.330	-39.657	-14.043
A011	0.225				-21.802	-23.312	-6.093	0.039	-0.082	0.146	0.151	-21.884	-23.166	-5.943
A012	-0.187				-5.194	-94.339	-15.665	0.039	-0.001	0.004	0.187	-5.195	-94.335	-15.479
A013	0.111				43.328	-69.701	-15.989	0.039	0.001	-0.002	-0.111	43.328	-69.703	-16.100
A014	0.421				48.657	-33.981	-16.766	0.039	0.002	-0.009	-0.421	48.659	-33.991	-17.188
A015	-0.051				30.109	-20.758	-9.995	0.039	0.017	0.034	0.034	30.126	-20.723	-9.961
A016	0.109				-52.769	-49.782	-16.892	0.039	0.001	-0.002	-0.109	-52.768	-49.784	-17.001
A017	0.176				-46.047	-68.948	-16.430	0.039	0.001	-0.004	-0.176	-46.046	-68.952	-16.606
A018	0.319				-33.381	-85.903	-15.989	0.039	0.002	-0.007	-0.319	-33.380	-85.911	-16.308
A019	-0.426				-0.681	-23.816	-17.229	0.039	-0.002	0.010	0.425	-0.683	-23.807	-16.803
A020	0.183				-19.937	-76.172	8.675	0.039	-0.063	-0.168	0.034	-19.999	-76.340	8.709
A021	0.233				-4.115	-87.948	-2.800	0.039	-0.036	-0.208	0.097	-4.151	-88.156	-2.702
A022	-0.208				-0.529	-44.973	-20.241	0.039	0.031	0.198	-0.054	-0.497	-44.775	-20.295
A023	0.402				35.783	-76.244	3.586	0.039	0.293	-0.210	0.176	36.076	-76.454	3.762
A024	-0.121				5.783	-83.718	6.538	0.039	-0.006	0.105	-0.062	5.777	-83.613	6.476
A026	0.082				39.374	-50.751	4.601	0.039	0.075	-0.012	0.030	39.450	-50.763	4.631
A028	-0.091				14.404	-76.480	12.200	0.039	0.022	-0.069	0.055	14.426	-76.549	12.255
A029	-0.168				-47.945	-47.480	-1.714	0.039	0.021	-0.058	-0.157	-47.925	-47.537	-1.871
A031	0.244				-11.359	-27.972	-22.122	0.039	0.086	0.180	-0.141	-11.274	-27.792	-22.264
A032	0.036				20.974	-16.781	-10.168	0.039	-0.002	0.031	0.019	20.972	-16.750	-10.149
A034	-0.082				32.140	-20.688	-8.888	0.039	-0.031	-0.053	-0.054	32.109	-20.742	-8.942
A035	0.437				27.558	-35.941	20.559	0.039	0.324	0.268	0.118	27.883	-35.674	20.677
A036	0.080				-45.267	-25.017	-16.571	0.039	-0.042	0.068	-0.002	-45.308	-24.949	-16.572

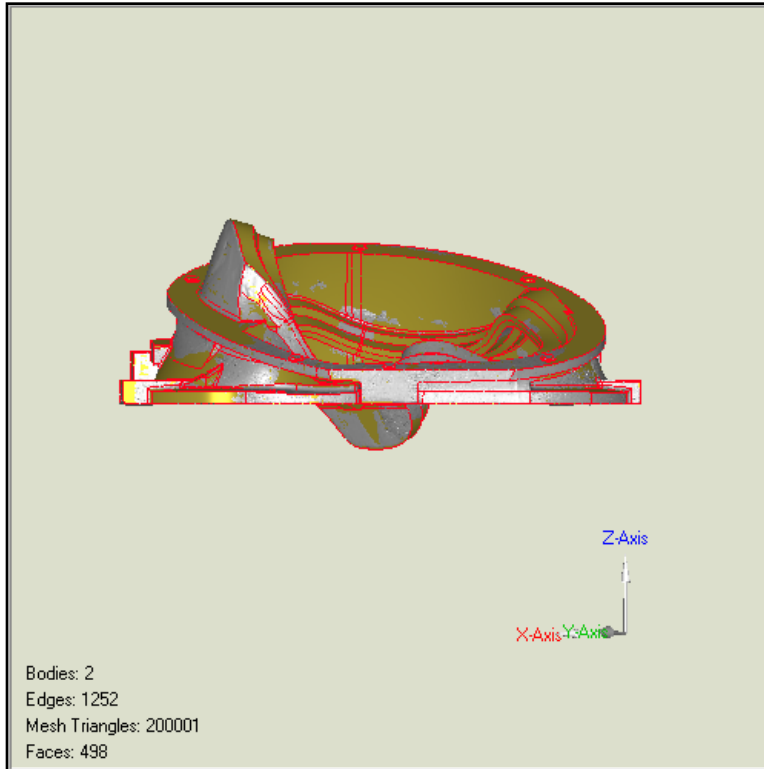
### Snapshots: Snapshot 1



### Snapshots: Snapshot 2



**Snapshots: Snapshot 3**



**Snapshots: Snapshot 4**

