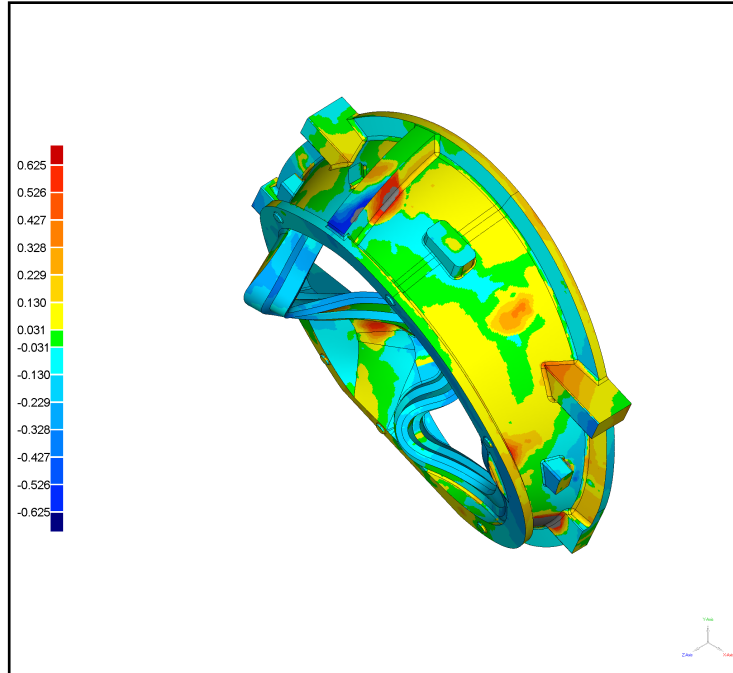


Qualify Report

Title: B5-AR
Date: 6/5/2006, 9:02 am



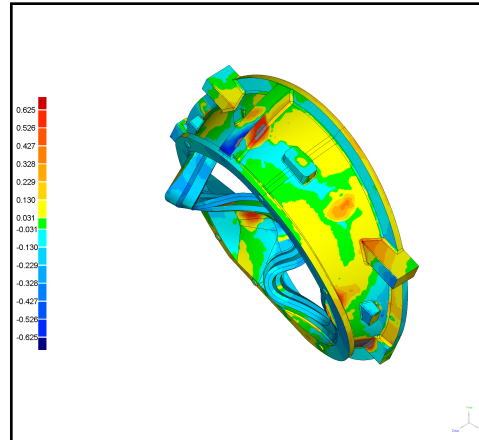
Author: Steve Pilgram
Part: B5
Test: Merged Points 4

3D Comparison Results

Reference Model	coil-b-less-shrink
Test Model	Merged Points 4
# Data Points	1182734

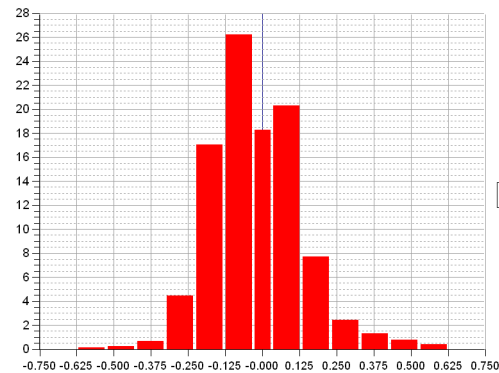
Tolerances	in
Max Tol +	0.625
Min Tol +	0.031
Min Tol -	-0.031
Max Tol -	-0.625

Deviation	in
Max Dev +	0.625
Max Dev -	-0.625
Average +/-	0.112 / -0.117
Std Dev	0.149



Percentage Deviations

>=Min	<Max	# Points	%
-0.625	-0.526	1703	0.144
-0.526	-0.427	2871	0.243
-0.427	-0.328	8185	0.692
-0.328	-0.229	52678	4.454
-0.229	-0.130	201481	17.035
-0.130	-0.031	310029	26.213
-0.031	0.031	216166	18.277
0.031	0.130	240310	20.318
0.130	0.229	91463	7.733
0.229	0.328	28710	2.427
0.328	0.427	15640	1.322
0.427	0.526	9068	0.767
0.526	0.625	4430	0.375

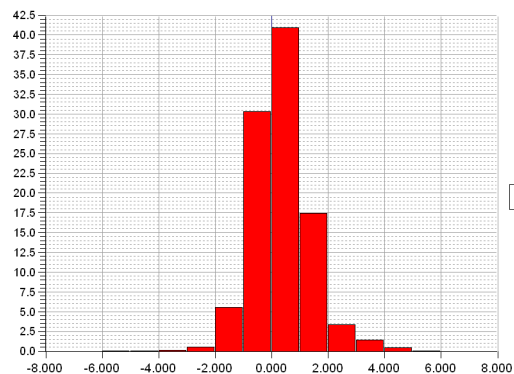


Deviation Distribution

Out of Max Tol +	0	0.000
Out of Max Tol -	0	0.000

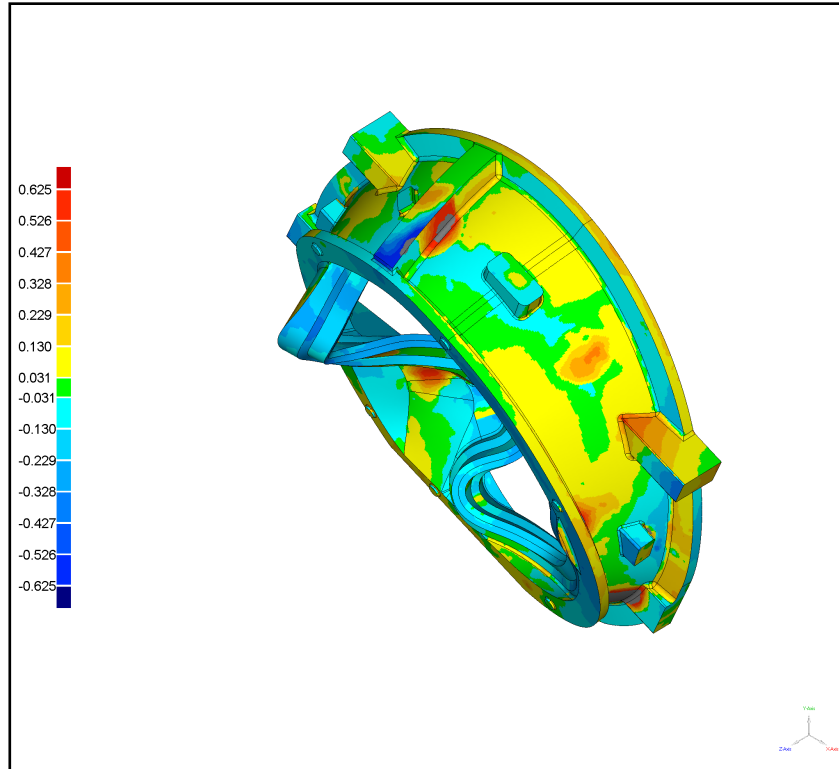
Standard Deviations

Distribution (+/-)	# Points	%
-6 * Std Dev	0	0.000
-5 * Std Dev	0	0.000
-4 * Std Dev	1838	0.155
-3 * Std Dev	5916	0.500
-2 * Std Dev	65267	5.518
-1 * Std Dev	358935	30.348
1 * Std Dev	483578	40.886
2 * Std Dev	206241	17.438
3 * Std Dev	39340	3.326
4 * Std Dev	16827	1.423
5 * Std Dev	4792	0.405
6 * Std Dev	0	0.000

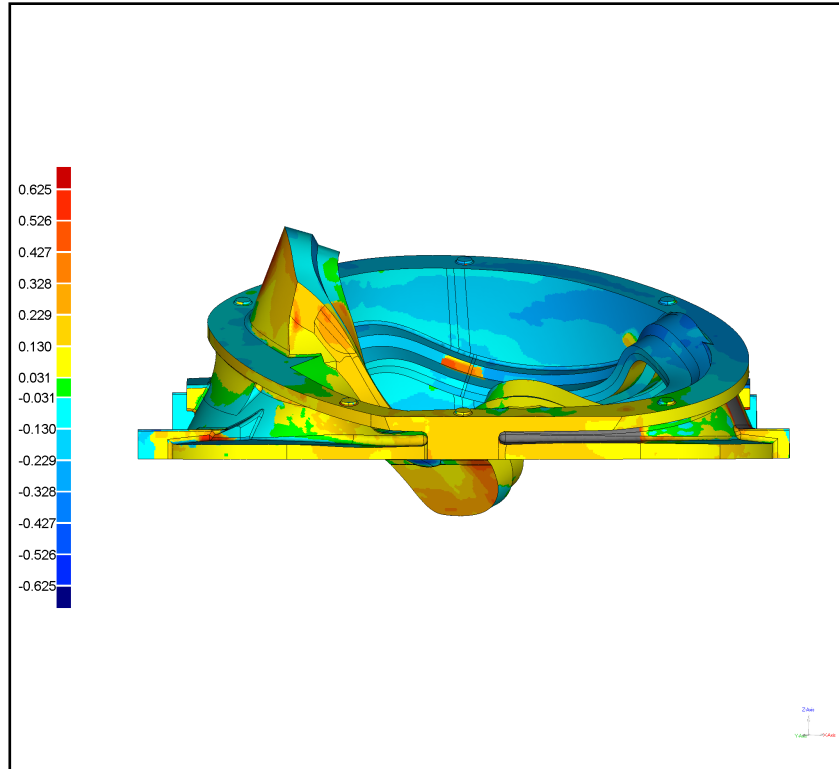


Standard Deviations

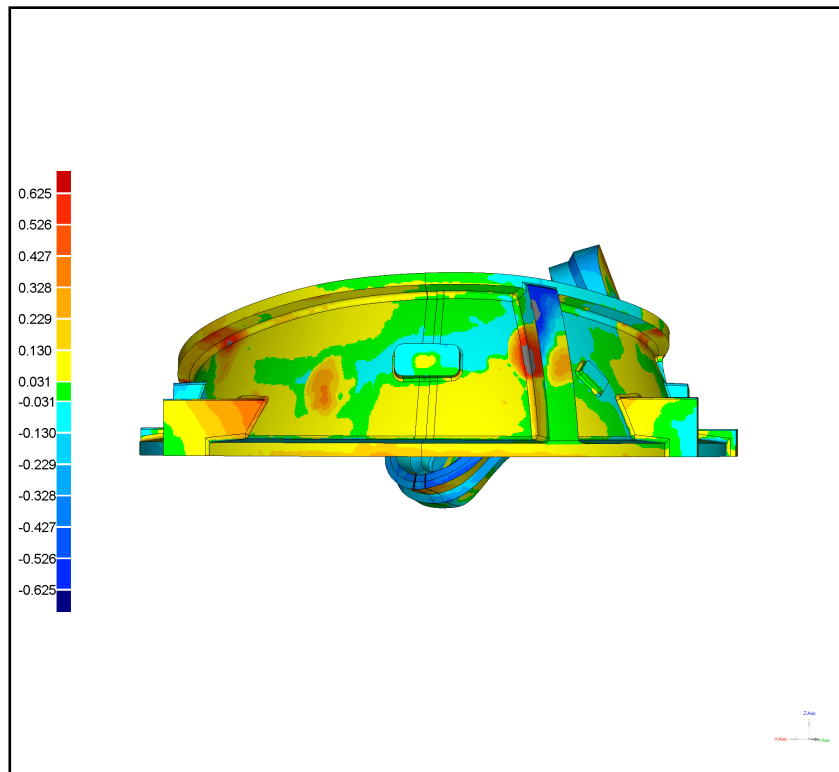
Predefined: Isometric



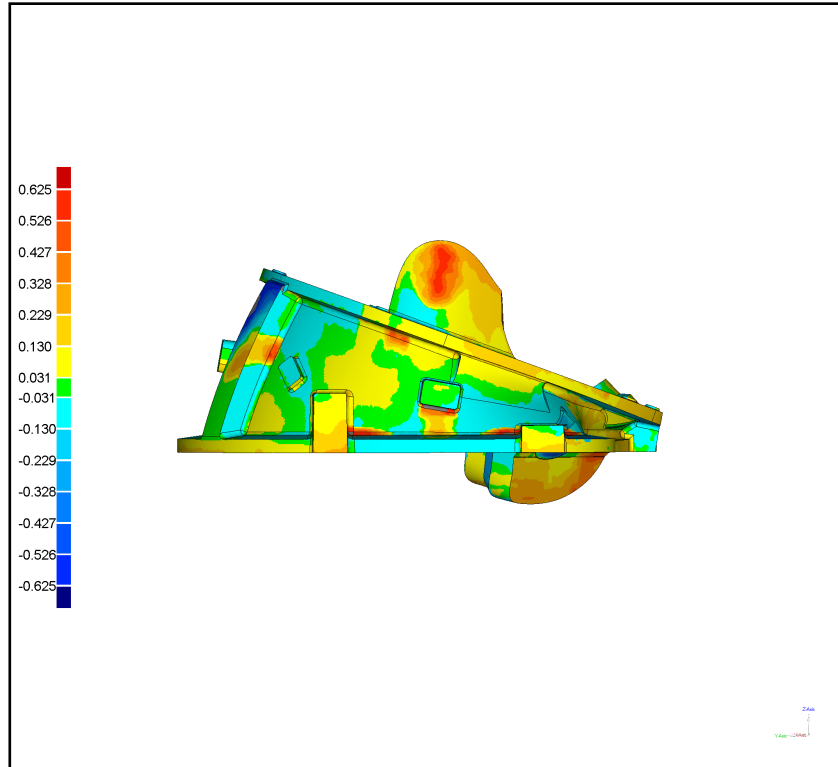
UserDefined: front



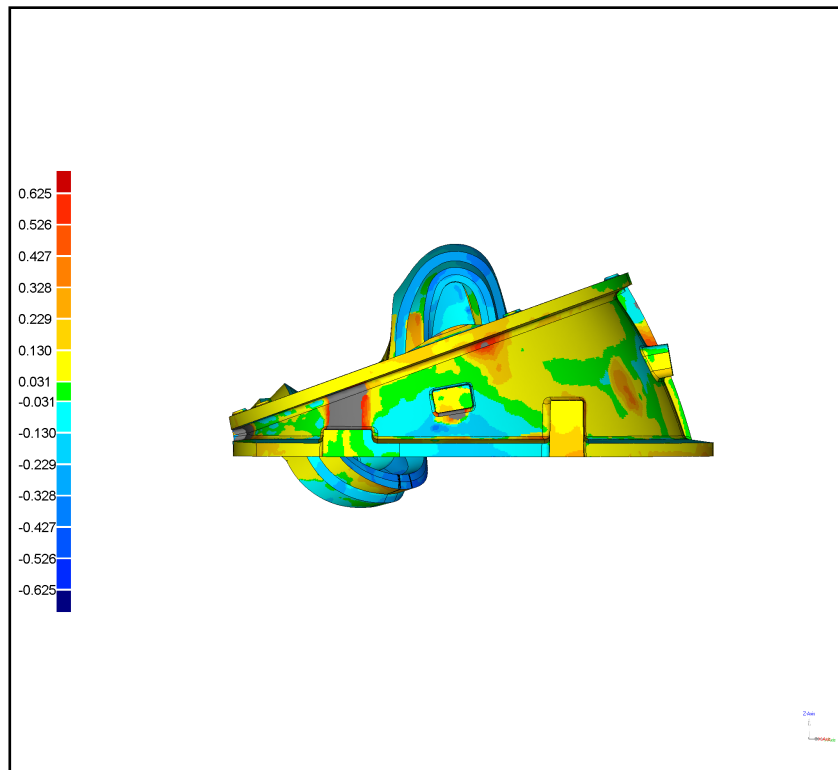
UserDefined: back



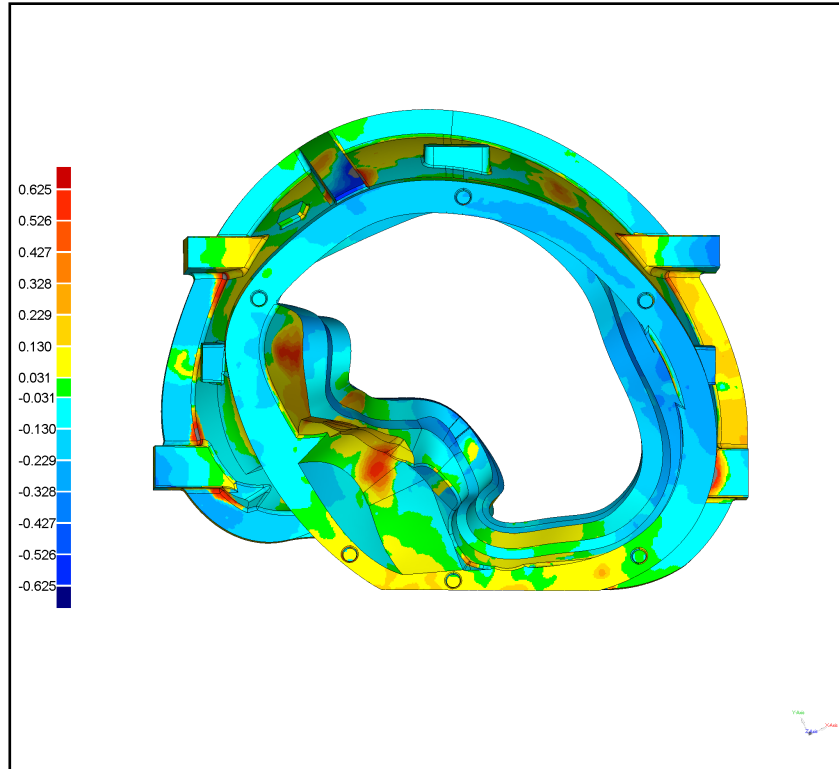
UserDefined: right



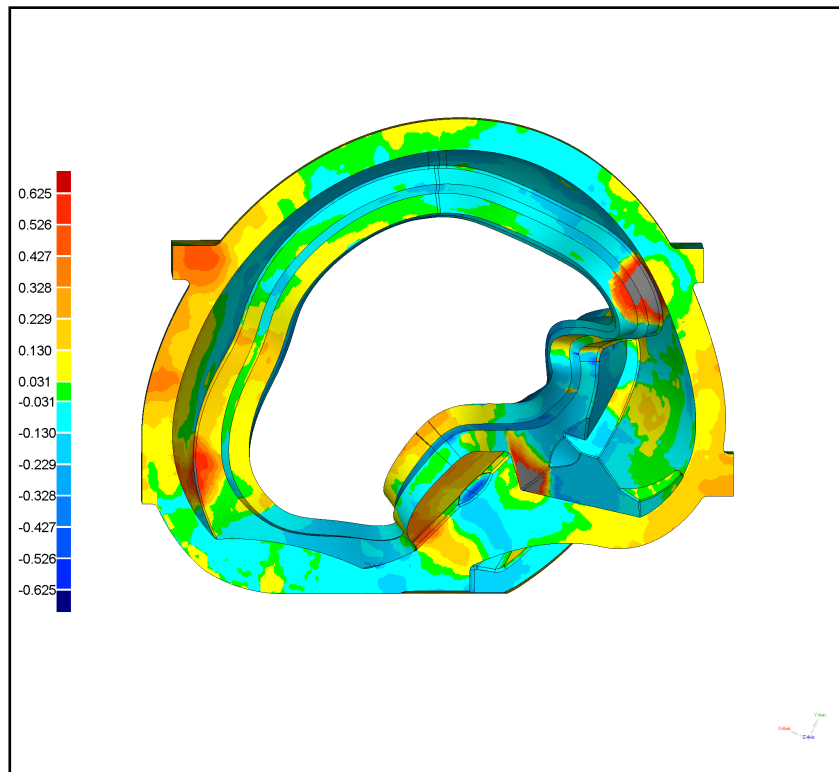
UserDefined: left



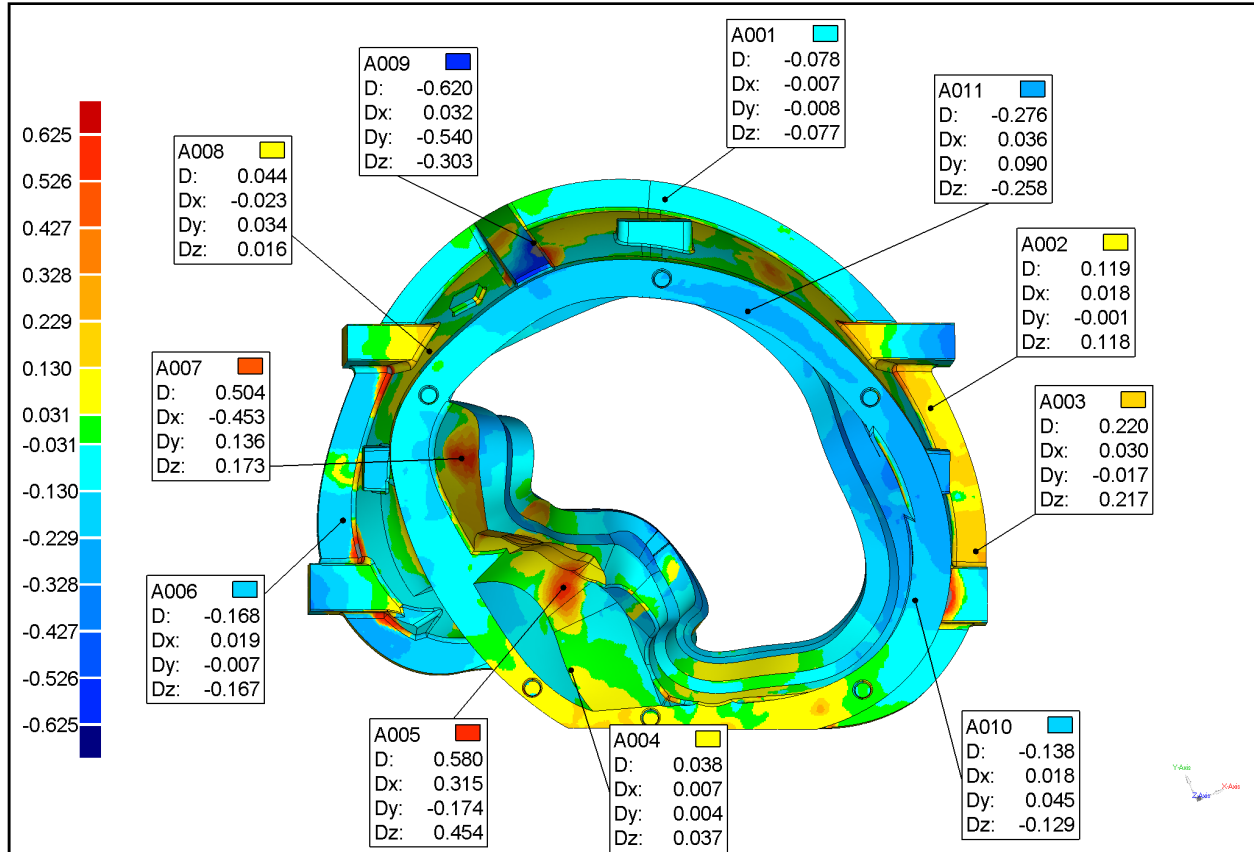
UserDefined: top



UserDefined: bottom



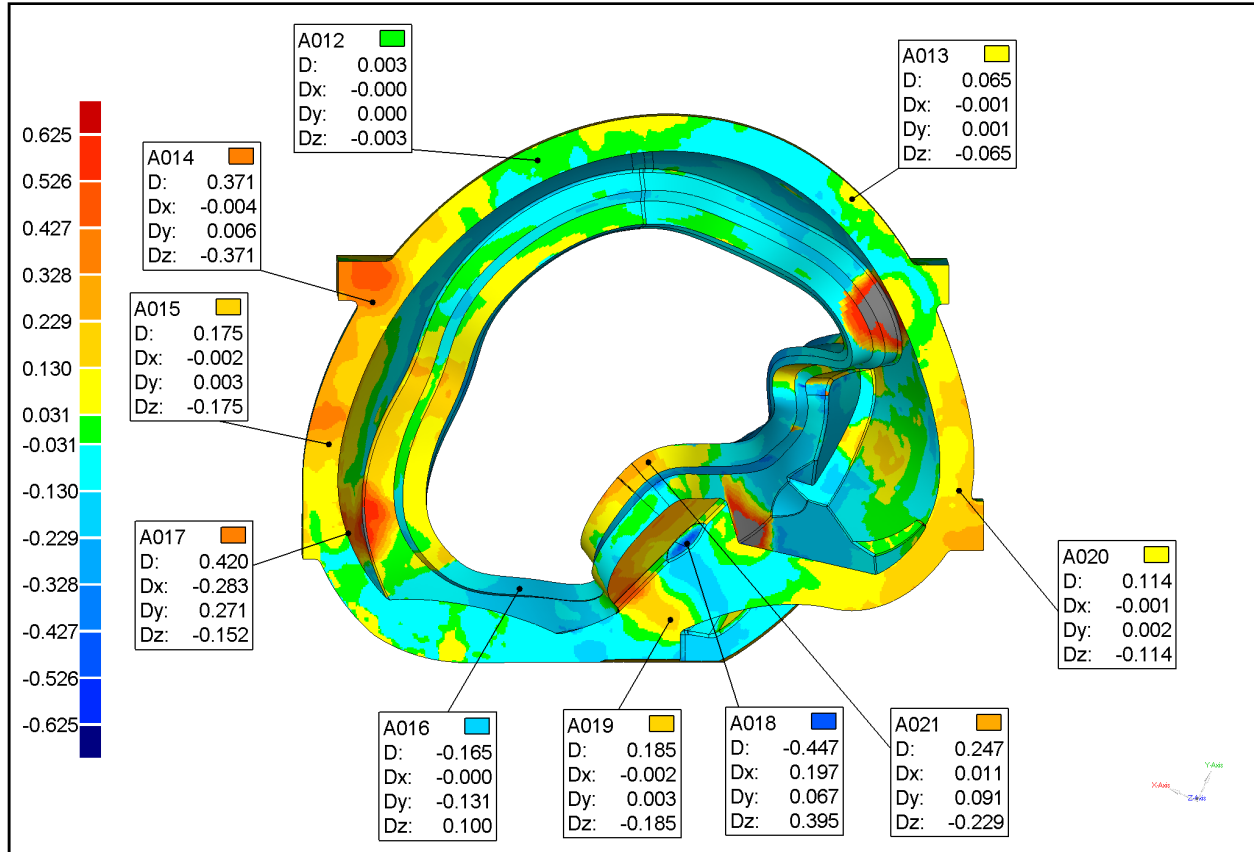
Annotated: Annotation View 1



Units: in

Name	Dev	Status	Tol +	Tol -	Ref X	Ref Y	Ref Z	Dev Radius	Dev X	Dev Y	Dev Z	Test X	Test Y	Test Z
A001	-0.078				103.306	31.162	-13.384	0.039	-0.007	-0.008	-0.077	103.299	31.154	-13.462
A002	0.119				128.786	-17.397	-14.415	0.039	0.018	-0.001	0.118	128.803	-17.398	-14.297
A003	0.220				125.872	-41.615	-14.941	0.039	0.030	-0.017	0.217	125.901	-41.631	-14.724
A004	0.038				57.341	-32.647	-10.772	0.039	0.007	0.004	0.037	57.348	-32.644	-10.735
A005	0.580				61.870	-19.805	-11.827	0.039	0.315	-0.174	0.454	62.185	-19.978	-11.372
A006	-0.168				33.767	4.860	-12.872	0.039	0.019	-0.007	-0.167	33.787	4.852	-13.039
A007	0.504				52.609	4.141	16.974	0.039	-0.453	0.136	0.173	52.156	4.277	17.147
A008	0.044				56.929	23.475	-2.034	0.039	-0.023	0.034	0.016	56.906	23.508	-2.017
A009	-0.620				78.720	31.919	8.389	0.039	0.032	-0.540	-0.303	78.752	31.379	8.086
A010	-0.138				112.377	-45.692	-2.910	0.039	0.018	0.045	-0.129	112.395	-45.646	-3.040
A011	-0.276				105.273	7.142	14.539	0.039	0.036	0.090	-0.258	105.309	7.232	14.281

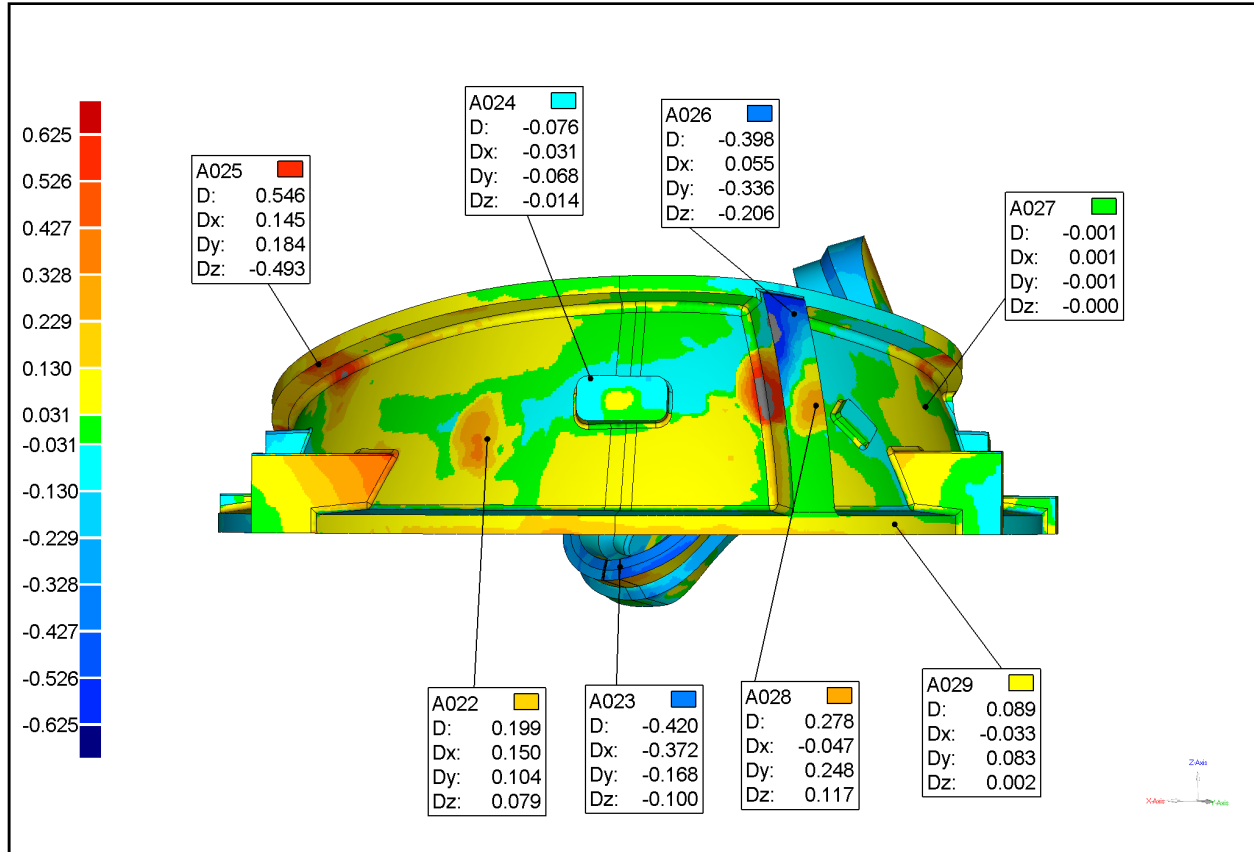
Annotated: Annotation View 2



Units: in

Name	Dev	Status	Tol +	Tol -	Ref X	Ref Y	Ref Z	Dev Radius	Dev X	Dev Y	Dev Z	Test X	Test Y	Test Z
A012	0.003				114.673	21.683	-16.541	0.039	-0.000	0.000	-0.003	114.673	21.683	-16.544
A013	0.065				65.568	36.845	-15.762	0.039	-0.001	0.001	-0.065	65.567	36.846	-15.827
A014	0.371				129.504	-10.346	-17.216	0.039	-0.004	0.006	-0.371	129.500	-10.340	-17.587
A015	0.175				126.422	-34.321	-17.567	0.039	-0.002	0.003	-0.175	126.420	-34.318	-17.742
A016	-0.165				88.069	-43.796	-10.818	0.039	-0.000	-0.131	0.100	88.069	-43.928	-10.718
A017	0.420				117.534	-46.303	-17.157	0.039	-0.283	0.271	-0.152	117.251	-46.031	-17.308
A018	-0.447				66.781	-25.197	-17.202	0.039	0.197	0.067	0.395	66.977	-25.130	-16.806
A019	0.185				64.102	-37.655	-16.941	0.039	-0.002	0.003	-0.185	64.100	-37.652	-17.125
A020	0.114				30.108	0.685	-15.955	0.039	-0.001	0.002	-0.114	30.107	0.687	-16.069
A021	0.247				78.326	-15.100	-22.672	0.039	0.011	0.091	-0.229	78.337	-15.009	-22.901

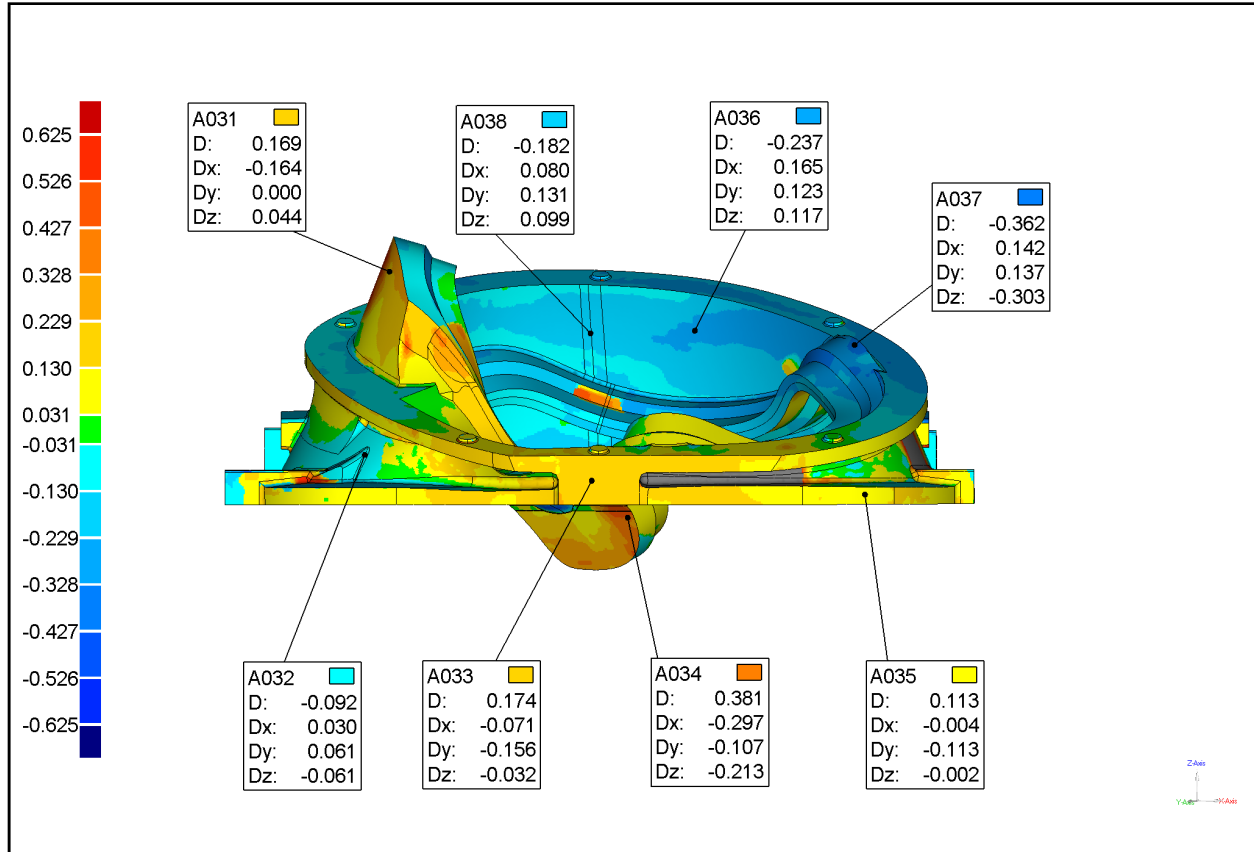
Annotated: Annotation View 3



Units: in

Name	Dev	Status	Tol +	Tol -	Ref X	Ref Y	Ref Z	Dev Radius	Dev X	Dev Y	Dev Z	Test X	Test Y	Test Z
A022	0.199				112.287	13.994	-4.159	0.039	0.150	0.104	0.079	112.437	14.098	-4.080
A023	-0.420				80.624	-16.672	-21.226	0.039	-0.372	-0.168	-0.100	80.253	-16.840	-21.326
A024	-0.076				102.476	25.594	4.184	0.039	-0.031	-0.068	-0.014	102.445	25.526	4.170
A025	0.546				122.648	-20.212	4.899	0.039	0.145	0.184	-0.493	122.793	-20.028	4.406
A026	-0.398				74.939	28.738	13.081	0.039	0.055	-0.336	-0.206	74.994	28.402	12.875
A027	-0.001				51.558	17.821	0.900	0.039	0.001	-0.001	-0.000	51.558	17.820	0.899
A028	0.278				74.142	35.062	1.142	0.039	-0.047	0.248	0.117	74.095	35.310	1.258
A029	0.089				63.650	37.558	-14.329	0.039	-0.033	0.083	0.002	63.617	37.641	-14.327

Annotated: Annotation View 4



Units: in

Name	Dev	Status	Tol +	Tol -	Ref X	Ref Y	Ref Z	Dev Radius	Dev X	Dev Y	Dev Z	Test X	Test Y	Test Z
A031	0.169				52.258	-0.847	17.907	0.039	-0.164	0.000	0.044	52.095	-0.847	17.951
A032	-0.092				41.053	-15.904	-9.050	0.039	0.030	0.061	-0.061	41.083	-15.843	-9.111
A033	0.174				64.315	-45.557	-13.509	0.039	-0.071	-0.156	-0.032	64.244	-45.713	-13.541
A034	0.381				73.675	-37.319	-18.999	0.039	-0.297	-0.107	-0.213	73.378	-37.426	-19.212
A035	0.113				101.889	-59.995	-16.271	0.039	-0.004	-0.113	-0.002	101.886	-60.108	-16.273
A036	-0.237				105.891	9.310	8.527	0.039	0.165	0.123	0.117	106.056	9.433	8.644
A037	-0.362				115.948	-25.777	5.913	0.039	0.142	0.137	-0.303	116.090	-25.640	5.610
A038	-0.182				93.921	20.223	8.441	0.039	0.080	0.131	0.099	94.001	20.353	8.539

Annotated: All

Units: in

Name	Dev	Status	Tol +	Tol -	Ref X	Ref Y	Ref Z	Dev Radius	Dev X	Dev Y	Dev Z	Test X	Test Y	Test Z
A001	-0.078				103.306	31.162	-13.384	0.039	-0.007	-0.008	-0.077	103.299	31.154	-13.462
A002	0.119				128.786	-17.397	-14.415	0.039	0.018	-0.001	0.118	128.803	-17.398	-14.297
A003	0.220				125.872	-41.615	-14.941	0.039	0.030	-0.017	0.217	125.901	-41.631	-14.724
A004	0.038				57.341	-32.647	-10.772	0.039	0.007	0.004	0.037	57.348	-32.644	-10.735
A005	0.580				61.870	-19.805	-11.827	0.039	0.315	-0.174	0.454	62.185	-19.978	-11.372
A006	-0.168				33.767	4.860	-12.872	0.039	0.019	-0.007	-0.167	33.787	4.852	-13.039
A007	0.504				52.609	4.141	16.974	0.039	-0.453	0.136	0.173	52.156	4.277	-17.147
A008	0.044				56.929	23.475	-2.034	0.039	-0.023	0.034	0.016	56.906	23.508	-2.017
A009	-0.620				78.720	31.919	8.389	0.039	0.032	-0.540	-0.303	78.752	31.379	8.086
A010	-0.138				112.377	-45.692	-2.910	0.039	0.018	0.045	-0.129	112.395	-45.646	-3.040
A011	-0.276				105.273	7.142	14.539	0.039	0.036	0.090	-0.258	105.309	7.232	14.281
A012	0.003				114.673	21.683	-16.541	0.039	-0.000	0.000	-0.003	114.673	21.683	-16.544
A013	0.065				65.568	36.845	-15.762	0.039	-0.001	0.001	-0.065	65.567	36.846	-15.827
A014	0.371				129.504	-10.346	-17.216	0.039	-0.004	0.006	-0.371	129.500	-10.340	-17.587
A015	0.175				126.422	-34.321	-17.567	0.039	-0.002	0.003	-0.175	126.420	-34.318	-17.742
A016	-0.165				88.069	-43.796	-10.818	0.039	-0.000	-0.131	0.100	88.069	-43.928	-10.718
A017	0.420				117.534	-46.303	-17.157	0.039	-0.283	0.271	-0.152	117.251	-46.031	-17.308
A018	-0.447				66.781	-25.197	-17.202	0.039	0.197	0.067	0.395	66.977	-25.130	-16.806
A019	0.185				64.102	-37.655	-16.941	0.039	-0.002	0.003	-0.185	64.100	-37.652	-17.125
A020	0.114				30.108	0.685	-15.955	0.039	-0.001	0.002	-0.114	30.107	0.687	-16.069
A021	0.247				78.326	-15.100	-22.672	0.039	0.011	0.091	-0.229	78.337	-15.009	-22.901
A022	0.199				112.287	13.994	-4.159	0.039	0.150	0.104	0.079	112.437	14.098	-4.080
A023	-0.420				80.624	-16.672	-21.226	0.039	-0.372	-0.168	-0.100	80.253	-16.840	-21.326
A024	-0.076				102.476	25.594	4.184	0.039	-0.031	-0.068	-0.014	102.445	25.526	4.170
A025	0.546				122.648	-20.212	4.899	0.039	0.145	0.184	-0.493	122.793	-20.028	4.406
A026	-0.398				74.939	28.738	13.081	0.039	0.055	-0.336	-0.206	74.994	28.402	12.875
A027	-0.001				51.558	17.821	0.900	0.039	0.001	-0.001	-0.000	51.558	17.820	0.899
A028	0.278				74.142	35.062	1.142	0.039	-0.047	0.248	0.117	74.095	35.310	1.258
A029	0.089				63.650	37.558	-14.329	0.039	-0.033	0.083	0.002	63.617	37.641	-14.327
A031	0.169				52.258	-0.847	17.907	0.039	-0.164	0.000	0.044	52.095	-0.847	17.951
A032	-0.092				41.053	-15.904	-9.050	0.039	0.030	0.061	-0.061	41.083	-15.843	-9.111
A033	0.174				64.315	-45.557	-13.509	0.039	-0.071	-0.156	-0.032	64.244	-45.713	-13.541
A034	0.381				73.675	-37.319	-18.999	0.039	-0.297	-0.107	-0.213	73.378	-37.426	-19.212
A035	0.113				101.889	-59.995	-16.271	0.039	-0.004	-0.113	-0.002	101.886	-60.108	-16.273
A036	-0.237				105.891	9.310	8.527	0.039	0.165	0.123	0.117	106.056	9.433	8.644
A037	-0.362				115.948	-25.777	5.913	0.039	0.142	0.137	-0.303	116.090	-25.640	5.610
A038	-0.182				93.921	20.223	8.441	0.039	0.080	0.131	0.099	94.001	20.353	8.539