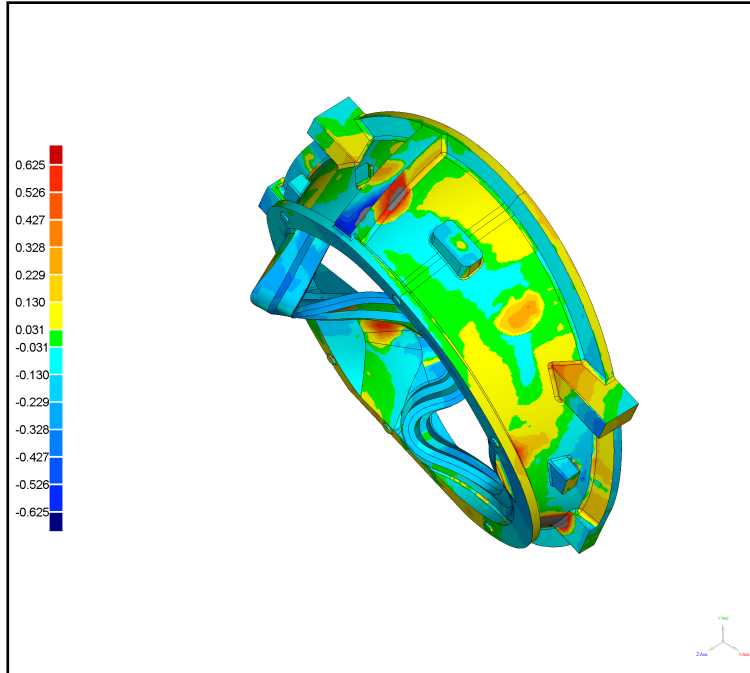


Qualify Report

Title: B6-AR
Date: 6/22/2006, 4:02 pm



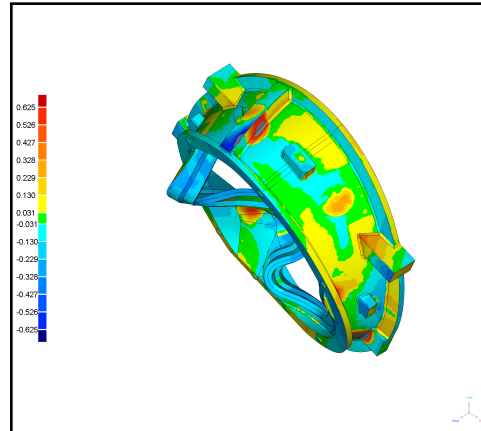
Author: Steve Pilgram
Part: B6
Test: Merged points 2

3D Comparison Results

Reference Model	coil-b-less-shrink
Test Model	Merged points 2
# Data Points	1182520

Tolerances	in
Max Tol +	0.625
Min Tol +	0.031
Min Tol -	-0.031
Max Tol -	-0.625

Deviation	in
Max Dev +	0.625
Max Dev -	-0.625
Average +/-	0.117 / -0.114
Std Dev	0.149



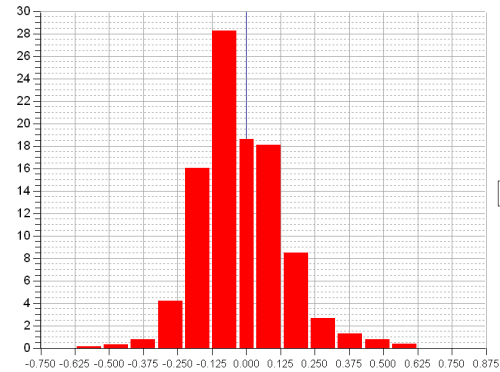
Percentage Deviations

>=Min	<Max	# Points	%
-0.625	-0.526	1640	0.139
-0.526	-0.427	3386	0.286
-0.427	-0.328	9081	0.768
-0.328	-0.229	49618	4.196
-0.229	-0.130	189781	16.049
-0.130	-0.031	334067	28.250
-0.031	0.031	220076	18.611
0.031	0.130	214036	18.100
0.130	0.229	100305	8.482
0.229	0.328	31398	2.655
0.328	0.427	15532	1.313
0.427	0.526	9192	0.777
0.526	0.625	4407	0.373

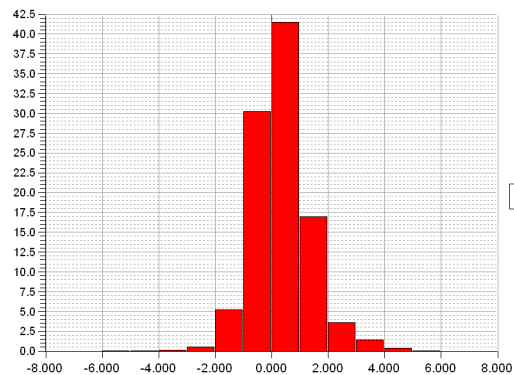
Out of Max Tol +	1	0.000
Out of Max Tol -	0	0.000

Standard Deviations

Distribution (+/-)	# Points	%
-6 * Std Dev	0	0.000
-5 * Std Dev	0	0.000
-4 * Std Dev	1748	0.148
-3 * Std Dev	6466	0.547
-2 * Std Dev	61792	5.225
-1 * Std Dev	357505	30.232
1 * Std Dev	490129	41.448
2 * Std Dev	200875	16.987
3 * Std Dev	42753	3.615
4 * Std Dev	16573	1.401
5 * Std Dev	4679	0.396
6 * Std Dev	0	0.000

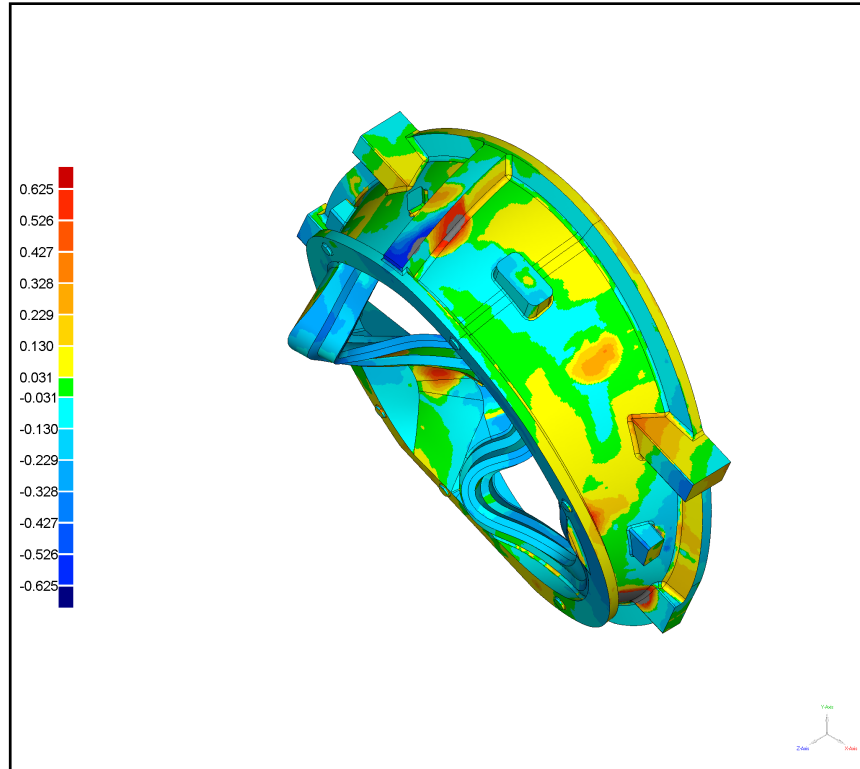


Deviation Distribution

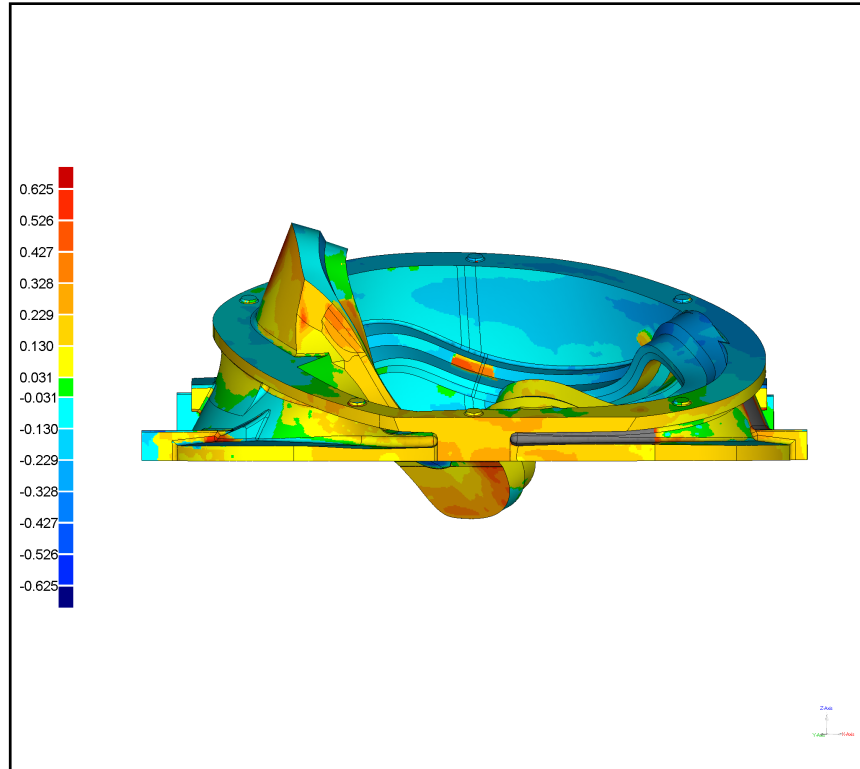


Standard Deviations

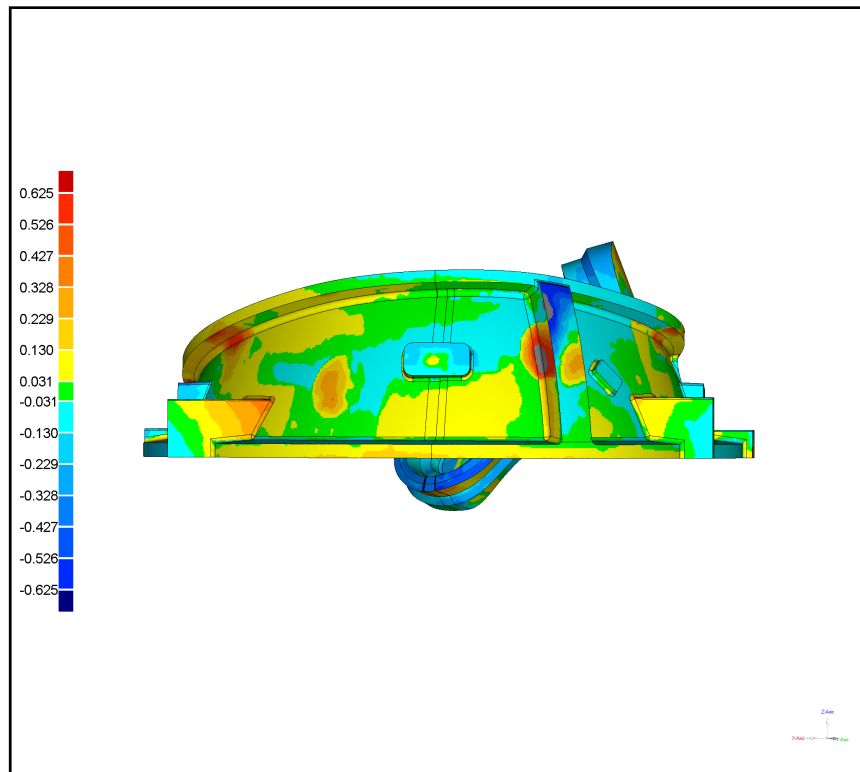
Predefined: Isometric



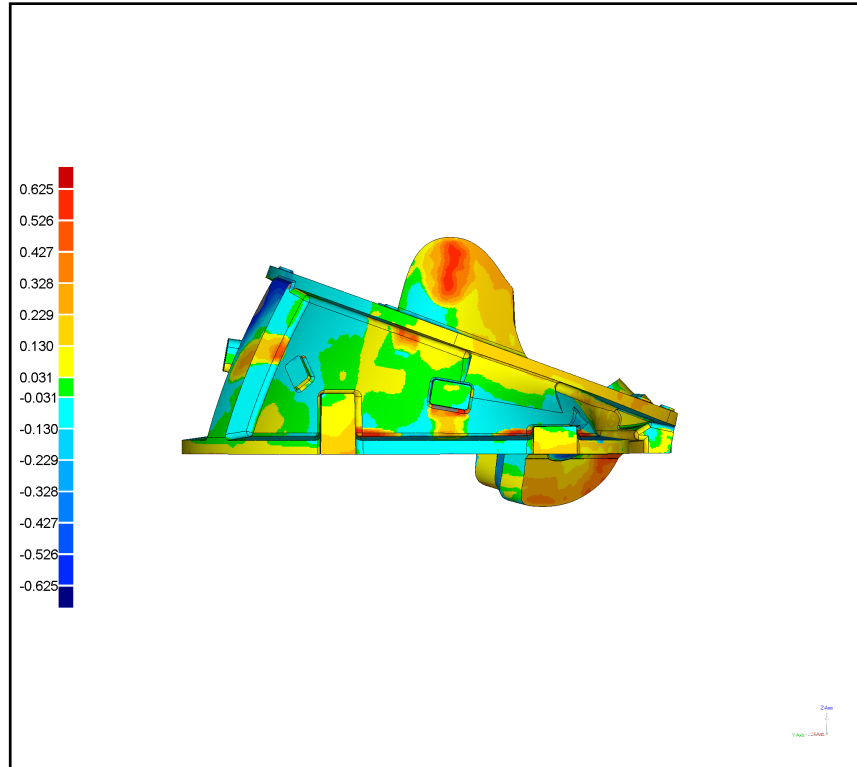
UserDefined: front



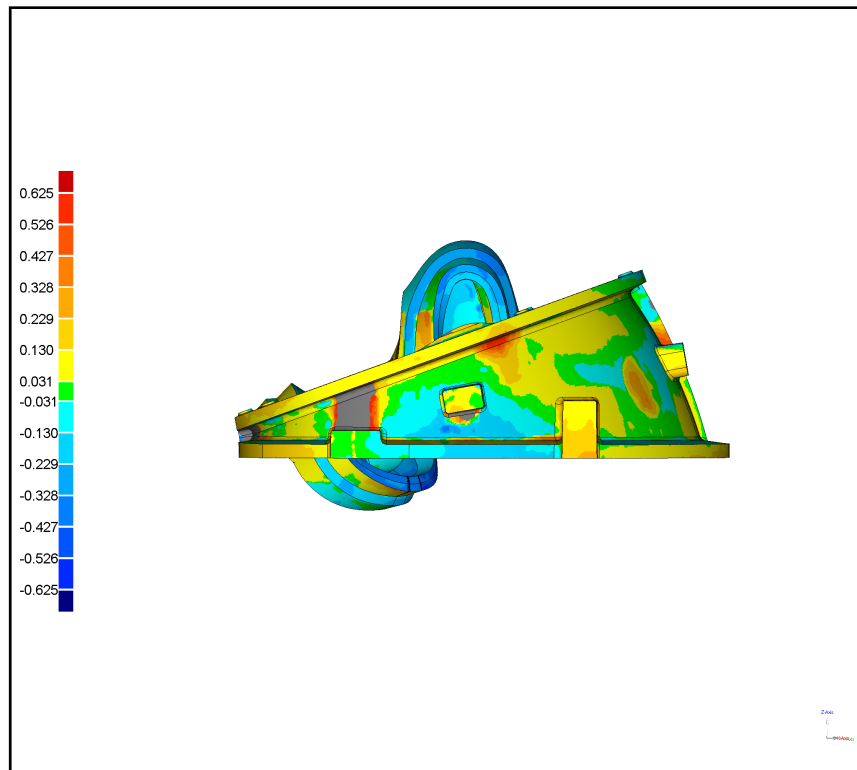
UserDefined: back



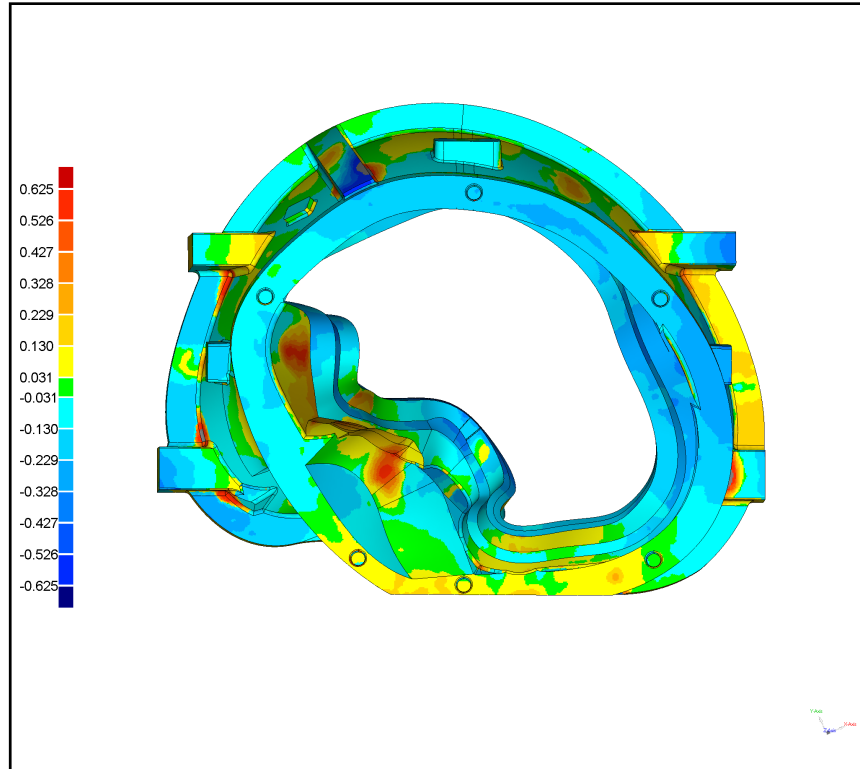
UserDefined: right



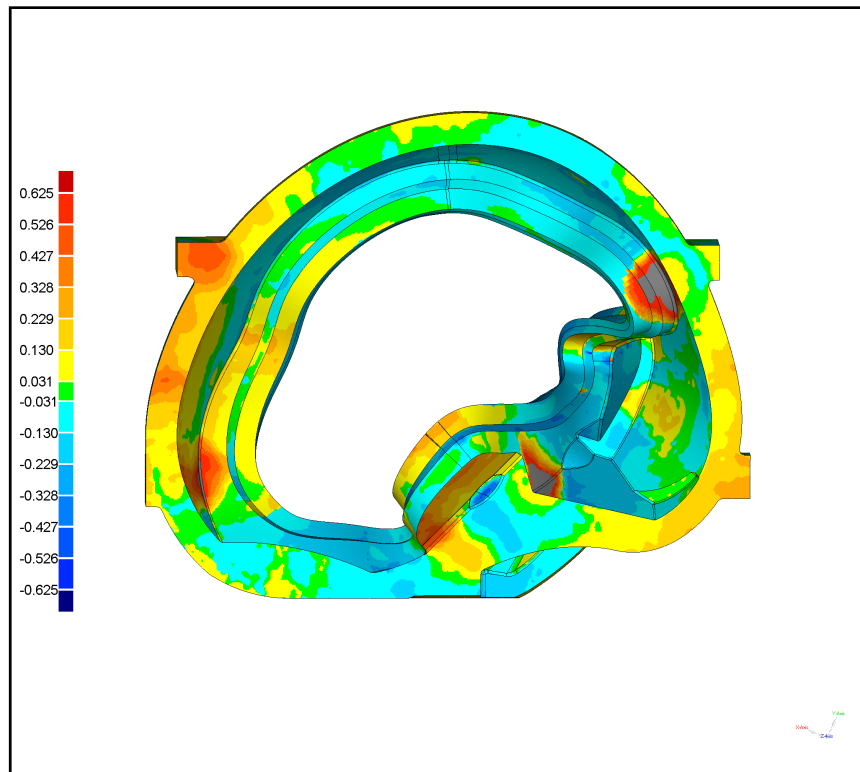
UserDefined: left



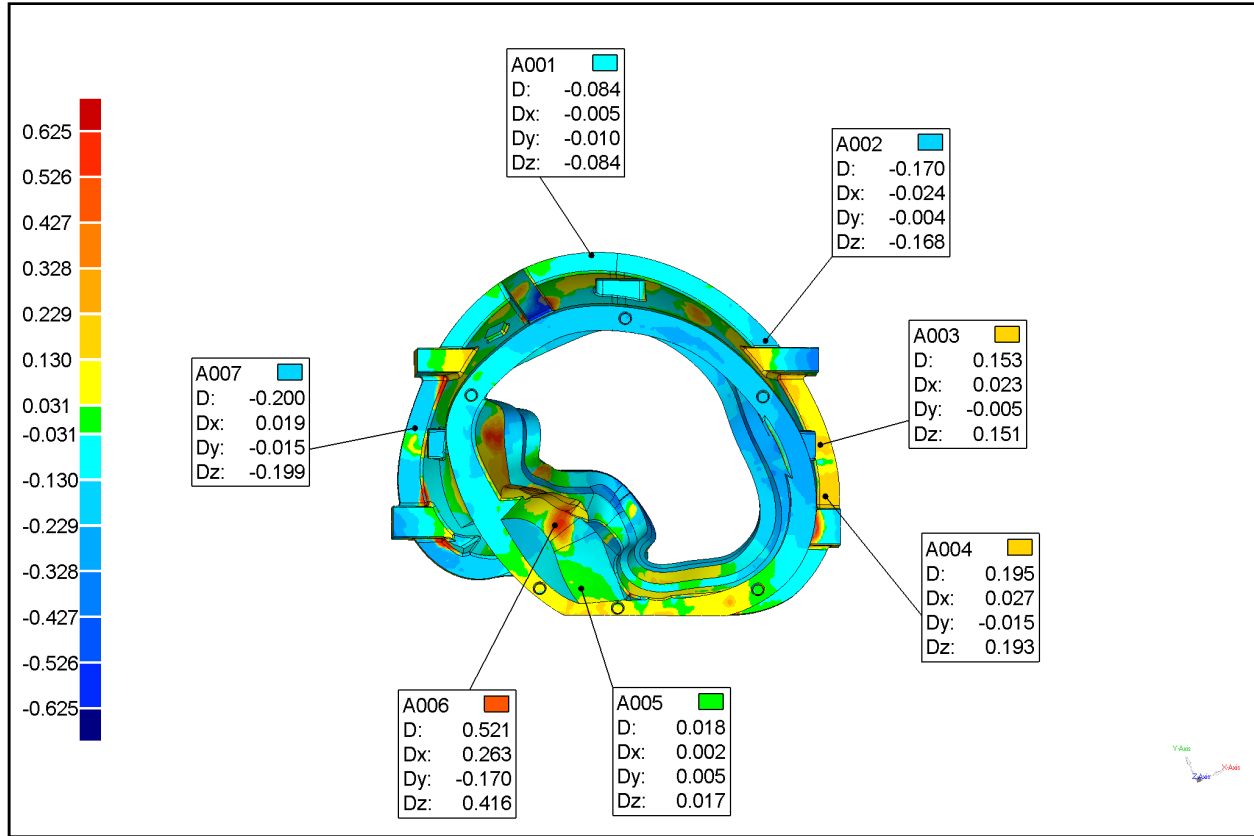
UserDefined: top



UserDefined: bottom



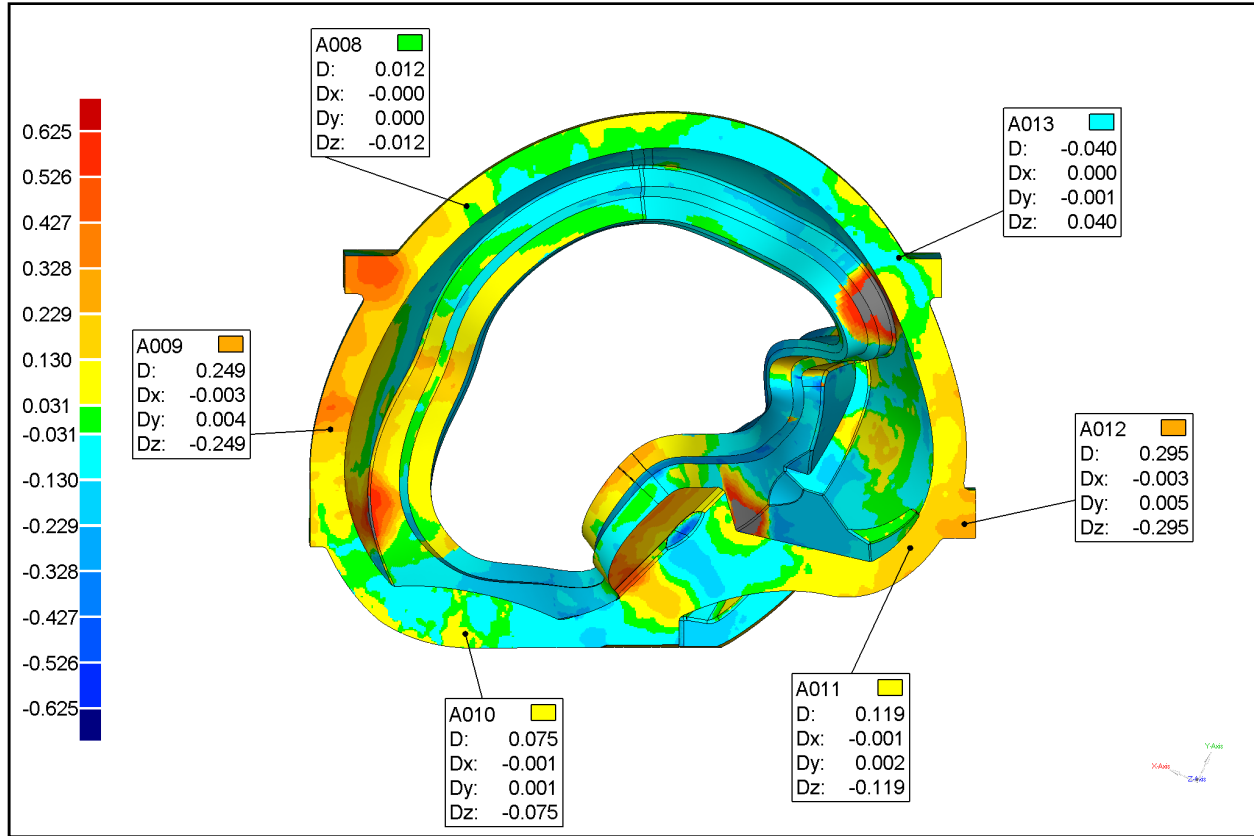
Annotated: Annotation View 1



Units: in

Name	Dev	Status	Tol +	Tol -	Ref X	Ref Y	Ref Z	Dev Radius	Dev X	Dev Y	Dev Z	Test X	Test Y	Test Z
A001	-0.084				96.299	37.089	-13.498	0.039	-0.005	-0.010	-0.084	96.294	37.079	-13.581
A002	-0.170				126.786	0.436	-14.258	0.039	-0.024	-0.004	-0.168	126.762	0.432	-14.427
A003	0.153				128.543	-28.440	-14.623	0.039	0.023	-0.005	0.151	128.566	-28.446	-14.471
A004	0.195				124.416	-40.541	-14.657	0.039	0.027	-0.015	0.193	124.442	-40.556	-14.464
A005	0.018				59.653	-36.986	-10.215	0.039	0.002	0.005	0.017	59.655	-36.981	-10.198
A006	0.521				60.230	-20.068	-10.816	0.039	0.263	-0.170	0.416	60.493	-20.239	-10.400
A007	-0.200				38.909	15.981	-13.032	0.039	0.019	-0.015	-0.199	38.928	15.966	-13.230

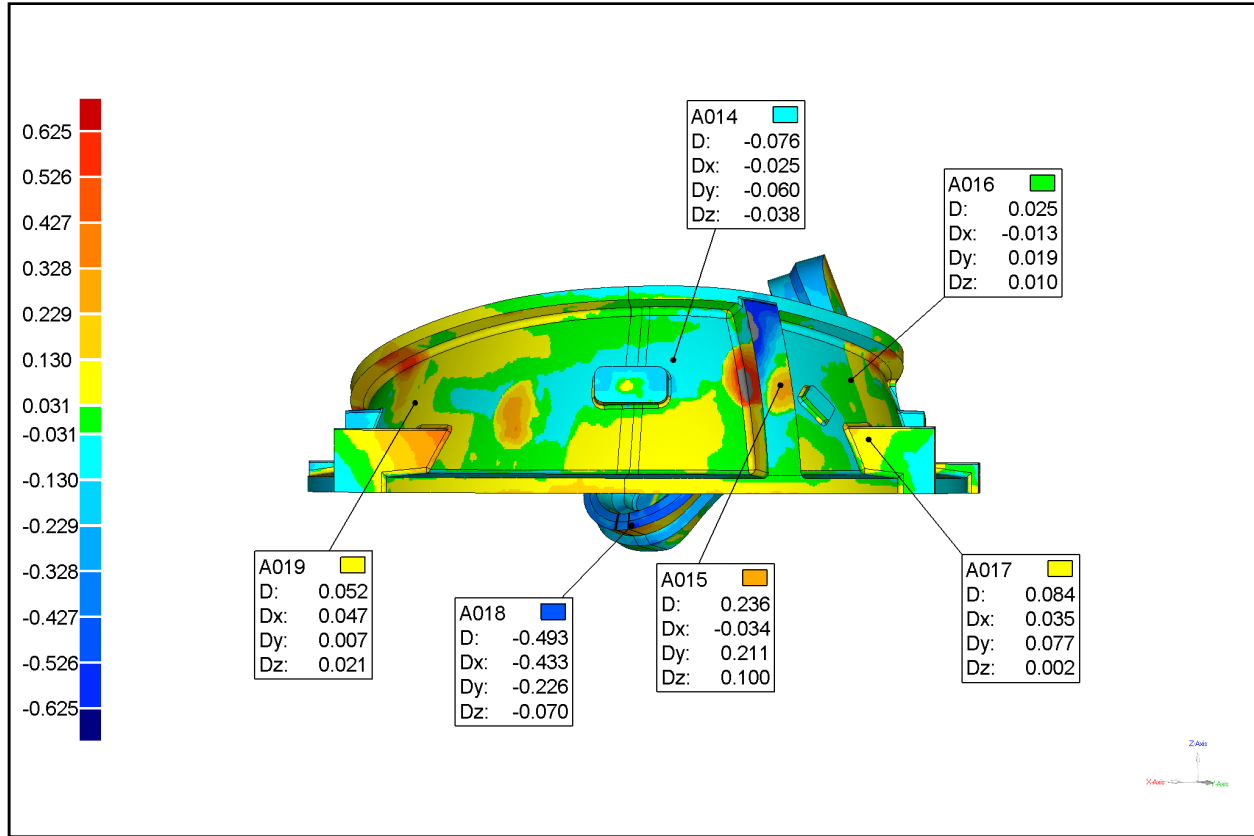
Annotated: Annotation View 2



Units: in

Name	Dev	Status	Tol +	Tol -	Ref X	Ref Y	Ref Z	Dev Radius	Dev X	Dev Y	Dev Z	Test X	Test Y	Test Z
A008	0.012				122.336	9.246	-16.824	0.039	-0.000	0.000	-0.012	122.336	9.246	-16.836
A009	0.249				127.532	-33.898	-17.572	0.039	-0.003	0.004	-0.249	127.529	-33.894	-17.821
A010	0.075				93.061	-55.748	-17.547	0.039	-0.001	0.001	-0.075	93.060	-55.747	-17.622
A011	0.119				31.703	-12.482	-16.184	0.039	-0.001	0.002	-0.119	31.702	-12.480	-16.302
A012	0.295				25.160	-5.159	-15.995	0.039	-0.003	0.005	-0.295	25.157	-5.155	-16.290
A013	-0.040				53.409	30.785	-15.727	0.039	0.000	-0.001	0.040	53.410	30.784	-15.687

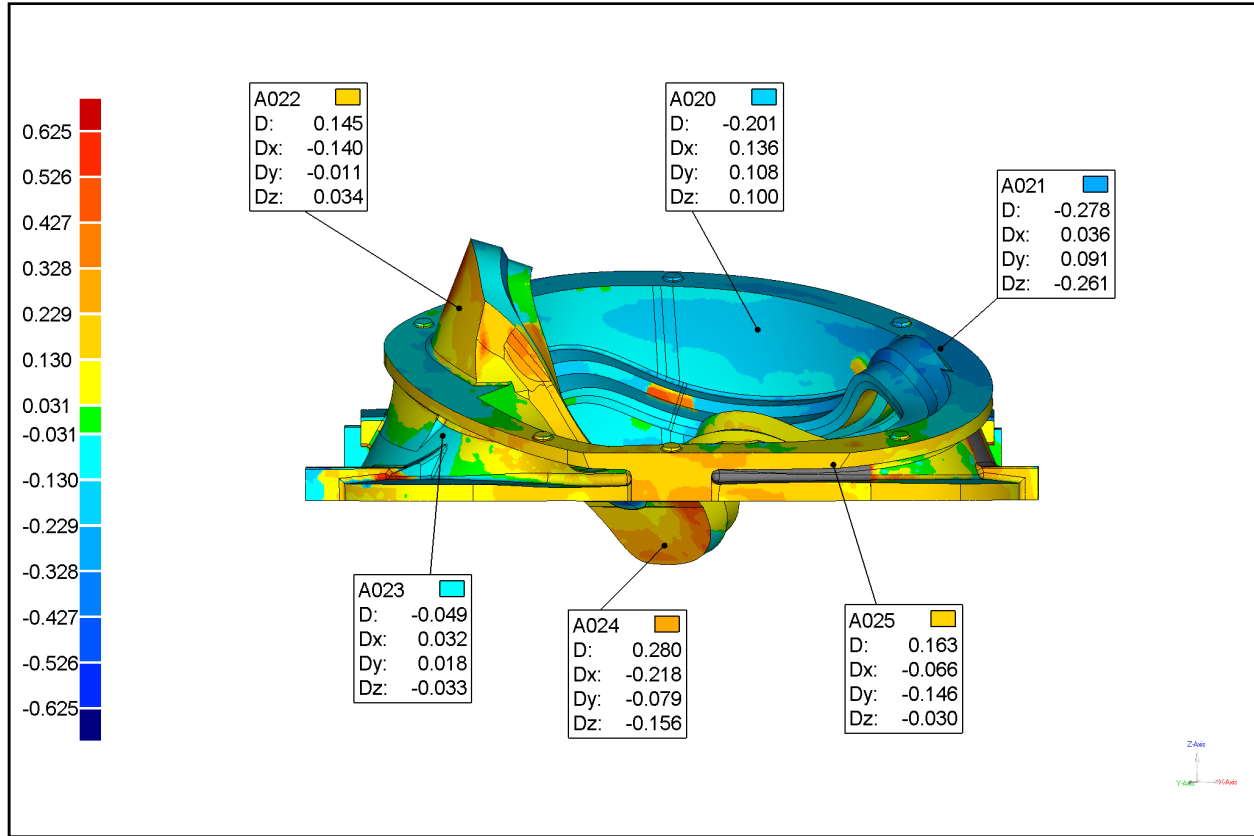
Annotated: Annotation View 3



Units: in

Name	Dev	Status	Tol +	Tol -	Ref X	Ref Y	Ref Z	Dev Radius	Dev X	Dev Y	Dev Z	Test X	Test Y	Test Z
A014	-0.076				90.533	25.775	5.729	0.039	-0.025	-0.060	-0.038	90.508	25.715	5.691
A015	0.236				75.082	34.845	1.941	0.039	-0.034	0.211	0.100	75.048	35.056	2.042
A016	0.025				57.008	21.168	2.717	0.039	-0.013	0.019	0.010	56.996	21.188	2.727
A017	0.084				56.756	28.767	-6.892	0.039	0.035	0.077	0.002	56.791	28.843	-6.889
A018	-0.493				80.460	-15.963	-22.193	0.039	-0.433	-0.226	-0.070	80.027	-16.189	-22.263
A019	0.052				121.123	-11.710	-2.448	0.039	0.047	0.007	0.021	121.171	-11.704	-2.428

Annotated: Annotation View 4



Units: in

Name	Dev	Status	Tol +	Tol -	Ref X	Ref Y	Ref Z	Dev Radius	Dev X	Dev Y	Dev Z	Test X	Test Y	Test Z
A020	-0.201				105.060	10.220	8.703	0.039	0.136	0.108	0.100	105.196	10.329	8.803
A021	-0.278				119.378	-25.067	5.265	0.039	0.036	0.091	-0.261	119.415	-24.976	5.004
A022	0.145				50.894	-0.877	12.611	0.039	-0.140	-0.011	0.034	50.754	-0.888	12.644
A023	-0.049				42.192	-13.462	-6.572	0.039	0.032	0.018	-0.033	42.224	-13.444	-6.605
A024	0.280				72.902	-25.894	-23.677	0.039	-0.218	-0.079	-0.156	72.684	-25.973	-23.833
A025	0.163				87.381	-56.361	-12.066	0.039	-0.066	-0.146	-0.030	87.315	-56.507	-12.096

Annotated: All

Units: in

Name	Dev	Status	Tol +	Tol -	Ref X	Ref Y	Ref Z	Dev Radius	Dev X	Dev Y	Dev Z	Test X	Test Y	Test Z
A001	-0.084				96.299	37.089	-13.498	0.039	-0.005	-0.010	-0.084	96.294	37.079	-13.581
A002	-0.170				126.786	0.436	-14.258	0.039	-0.024	-0.004	-0.168	126.762	0.432	-14.427
A003	0.153				128.543	-28.440	-14.623	0.039	0.023	-0.005	0.151	128.566	-28.446	-14.471
A004	0.195				124.416	-40.541	-14.657	0.039	0.027	-0.015	0.193	124.442	-40.556	-14.464
A005	0.018				59.653	-36.986	-10.215	0.039	0.002	0.005	0.017	59.655	-36.981	-10.198
A006	0.521				60.230	-20.068	-10.816	0.039	0.263	-0.170	0.416	60.493	-20.239	-10.400
A007	-0.200				38.909	15.981	-13.032	0.039	0.019	-0.015	-0.199	38.928	15.966	-13.230
A008	0.012				122.336	9.246	-16.824	0.039	-0.000	0.000	-0.012	122.336	9.246	-16.836
A009	0.249				127.532	-33.898	-17.572	0.039	-0.003	0.004	-0.249	127.529	-33.894	-17.821
A010	0.075				93.061	-55.748	-17.547	0.039	-0.001	0.001	-0.075	93.060	-55.747	-17.622
A011	0.119				31.703	-12.482	-16.184	0.039	-0.001	0.002	-0.119	31.702	-12.480	-16.302
A012	0.295				25.160	-5.159	-15.995	0.039	-0.003	0.005	-0.295	25.157	-5.155	-16.290
A013	-0.040				53.409	30.785	-15.727	0.039	0.000	-0.001	0.040	53.410	30.784	-15.687
A014	-0.076				90.533	25.775	5.729	0.039	-0.025	-0.060	-0.038	90.508	25.715	5.691
A015	0.236				75.082	34.845	1.941	0.039	-0.034	0.211	0.100	75.048	35.056	2.042
A016	0.025				57.008	21.168	2.717	0.039	-0.013	0.019	0.010	56.996	21.188	2.727
A017	0.084				56.756	28.767	-6.892	0.039	0.035	0.077	0.002	56.791	28.843	-6.889
A018	-0.493				80.460	-15.963	-22.193	0.039	-0.433	-0.226	-0.070	80.027	-16.189	-22.263
A019	0.052				121.123	-11.710	-2.448	0.039	0.047	0.007	0.021	121.171	-11.704	-2.428
A020	-0.201				105.060	10.220	8.703	0.039	0.136	0.108	0.100	105.196	10.329	8.803
A021	-0.278				119.378	-25.067	5.265	0.039	0.036	0.091	-0.261	119.415	-24.976	5.004
A022	0.145				50.894	-0.877	12.611	0.039	-0.140	-0.011	0.034	50.754	-0.888	12.644
A023	-0.049				42.192	-13.462	-6.572	0.039	0.032	0.018	-0.033	42.224	-13.444	-6.605
A024	0.280				72.902	-25.894	-23.677	0.039	-0.218	-0.079	-0.156	72.684	-25.973	-23.833
A025	0.163				87.381	-56.361	-12.066	0.039	-0.066	-0.146	-0.030	87.315	-56.507	-12.096