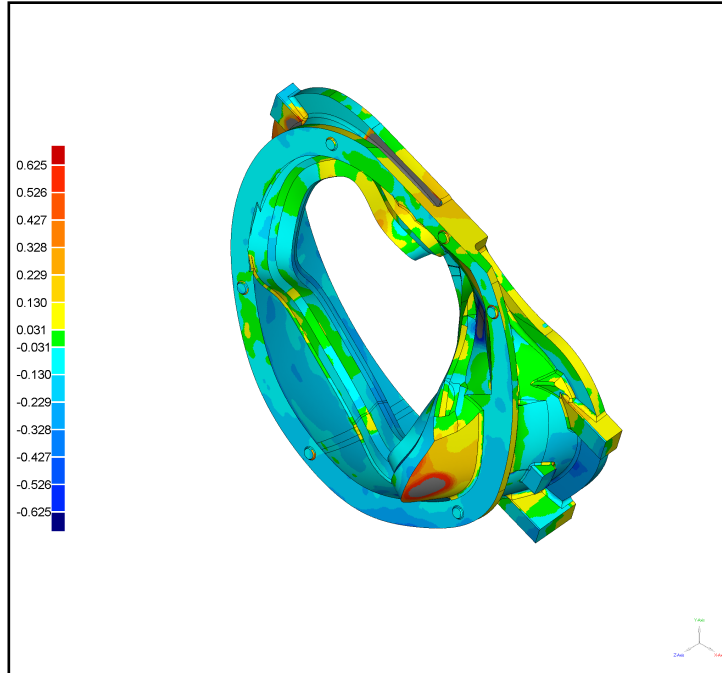


### Qualify Report

Title: B1-AR  
Date: 2/24/2006, 4:48 pm



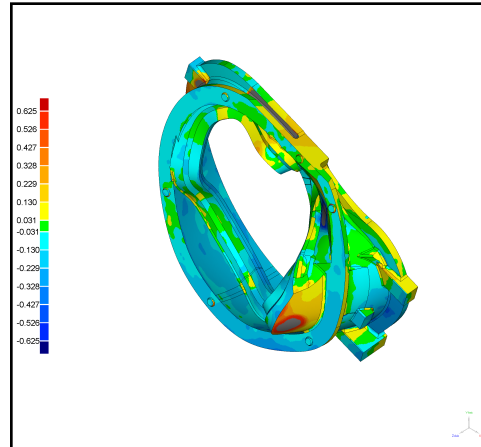
Author: Steve Pilgram  
Part: B1 Coil  
Test: Points 1

### 3D Comparison Results

Reference Model	coil-b-less-shrink
Test Model	Points 1
# Data Points	1130848

Tolerances	in
Max Tol +	0.625
Min Tol +	0.031
Min Tol -	-0.031
Max Tol -	-0.625

Deviation	in
Max Dev +	0.625
Max Dev -	-0.625
Average +/-	0.106 / -0.125
Std Dev	0.145



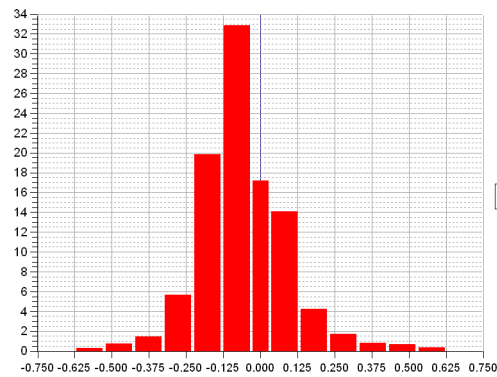
#### Percentage Deviations

>=Min	<Max	# Points	%
-0.625	-0.526	3629	0.321
-0.526	-0.427	8093	0.716
-0.427	-0.328	16504	1.459
-0.328	-0.229	64021	5.661
-0.229	-0.130	224813	19.880
-0.130	-0.031	371770	32.875
-0.031	0.031	194705	17.218
0.031	0.130	159299	14.087
0.130	0.229	47747	4.222
0.229	0.328	19537	1.728
0.328	0.427	9106	0.805
0.427	0.526	7540	0.667
0.526	0.625	4083	0.361

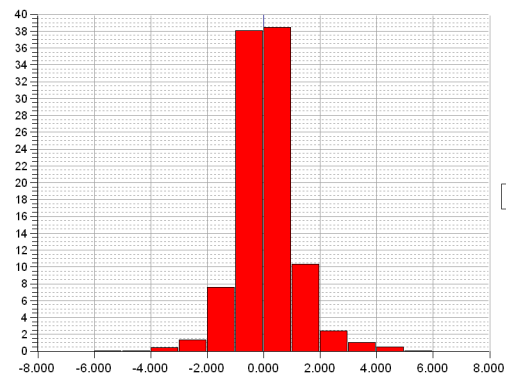
Out of Max Tol +	1	0.000
Out of Max Tol -	0	0.000

#### Standard Deviations

Distribution (+/-)	# Points	%
-6 * Std Dev	0	0.000
-5 * Std Dev	0	0.000
-4 * Std Dev	4750	0.420
-3 * Std Dev	15457	1.367
-2 * Std Dev	85924	7.598
-1 * Std Dev	430135	38.037
1 * Std Dev	434891	38.457
2 * Std Dev	116336	10.288
3 * Std Dev	26835	2.373
4 * Std Dev	11347	1.003
5 * Std Dev	5173	0.457
6 * Std Dev	0	0.000

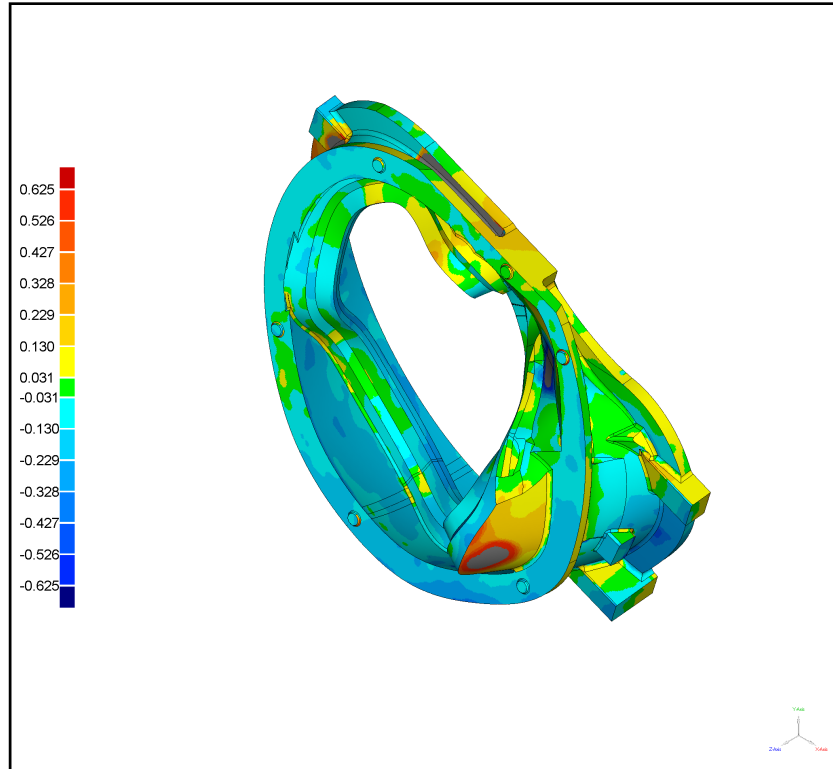


Deviation Distribution

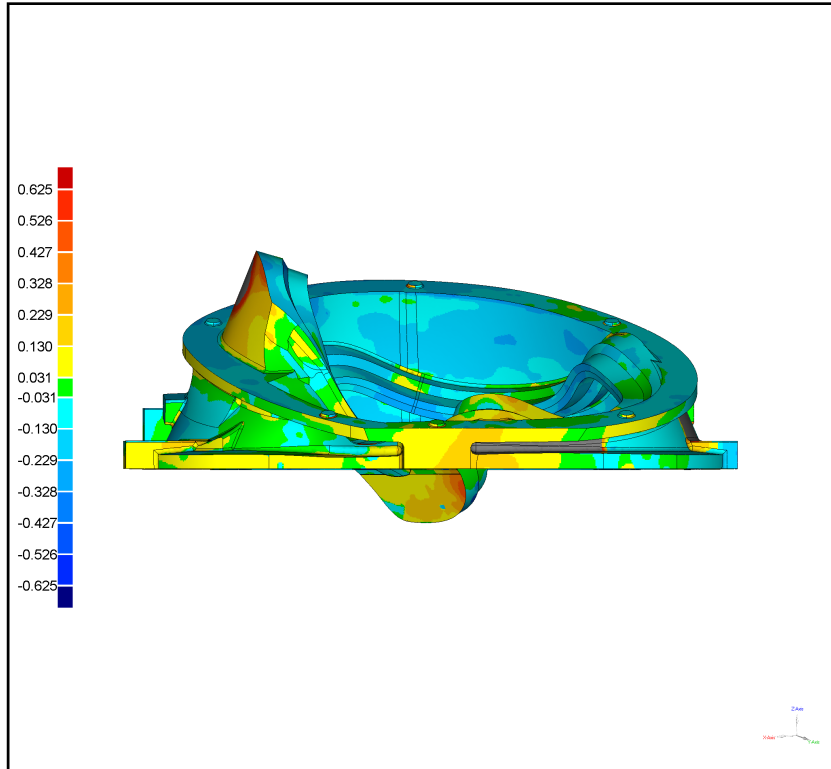


Standard Deviations

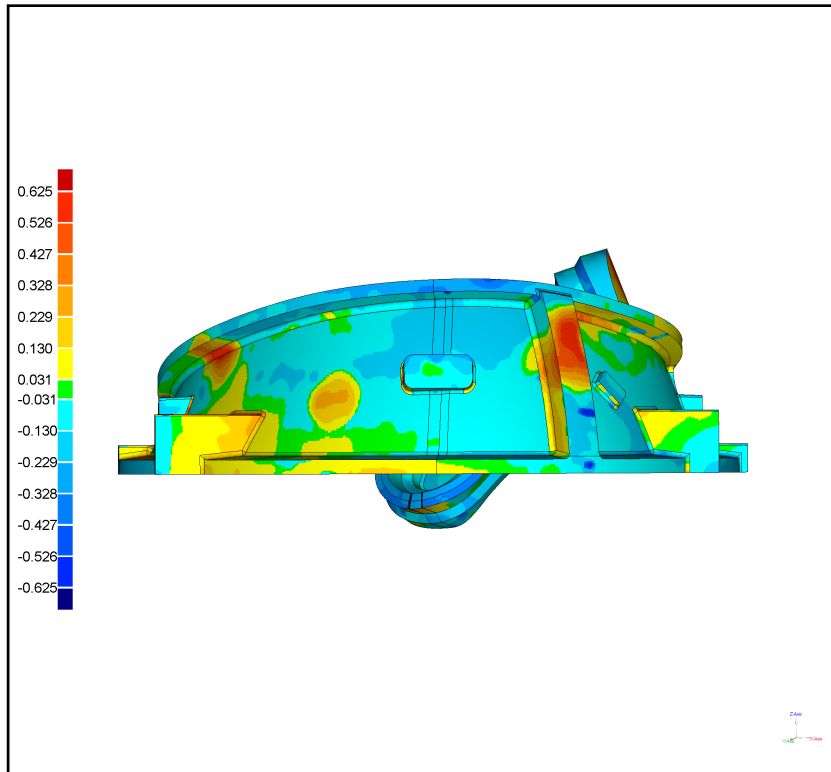
Predefined: Isometric



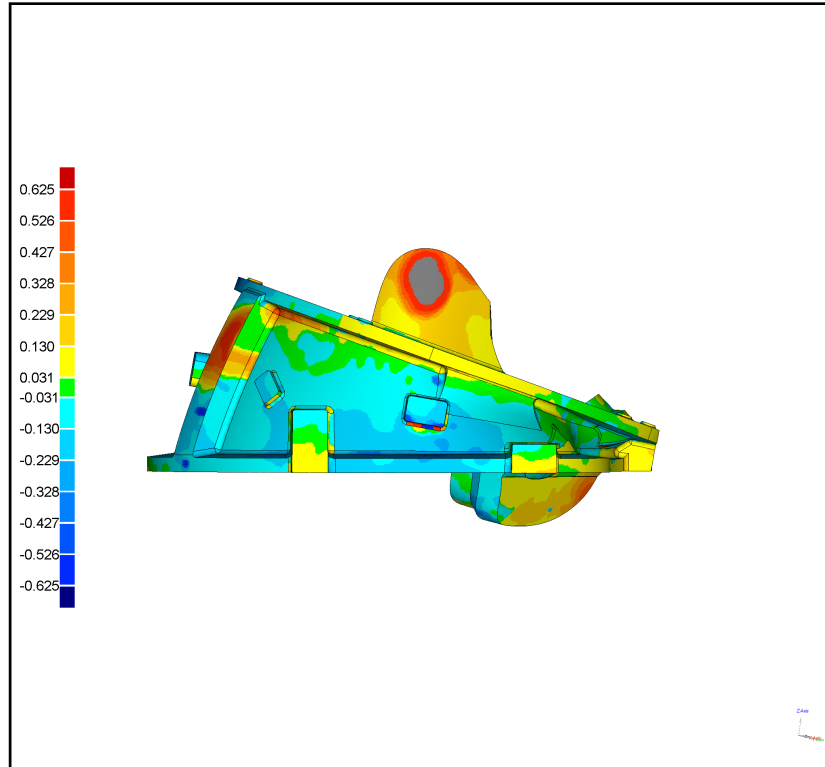
**UserDefined: FRONT**



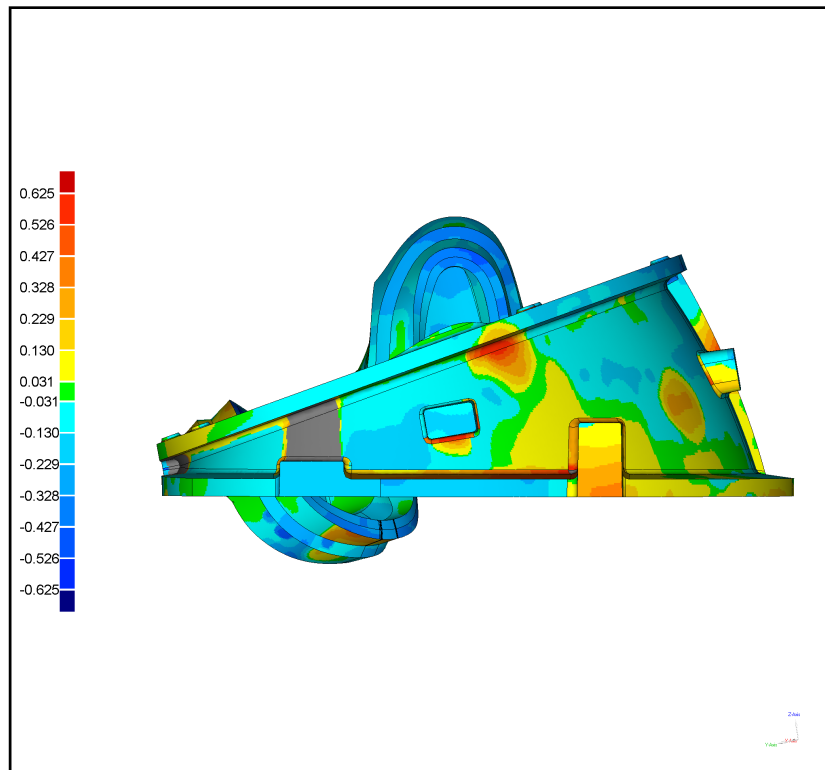
**UserDefined: BACK**



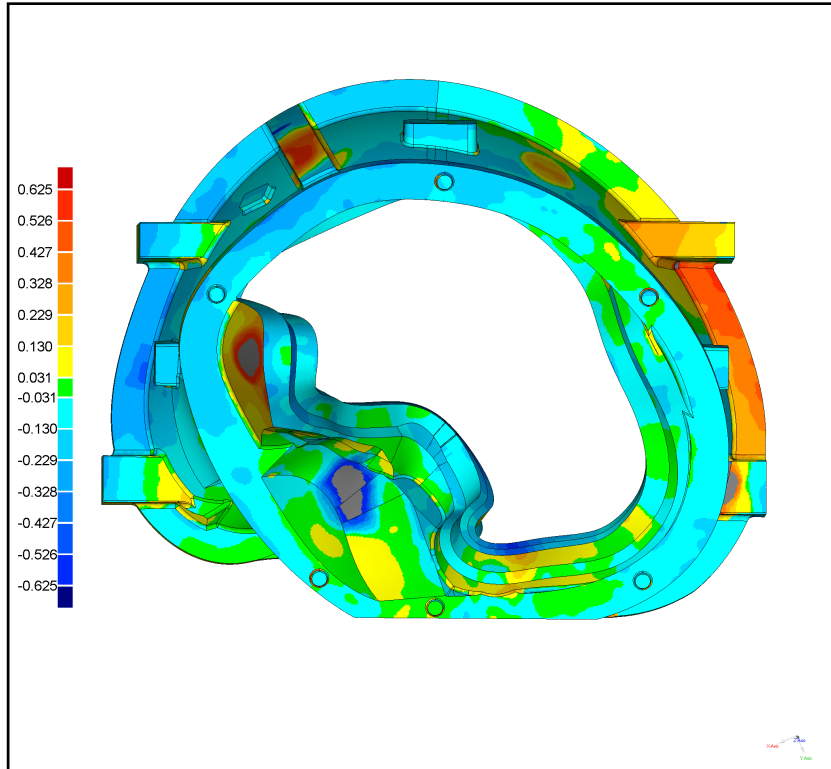
UserDefined: LEFT



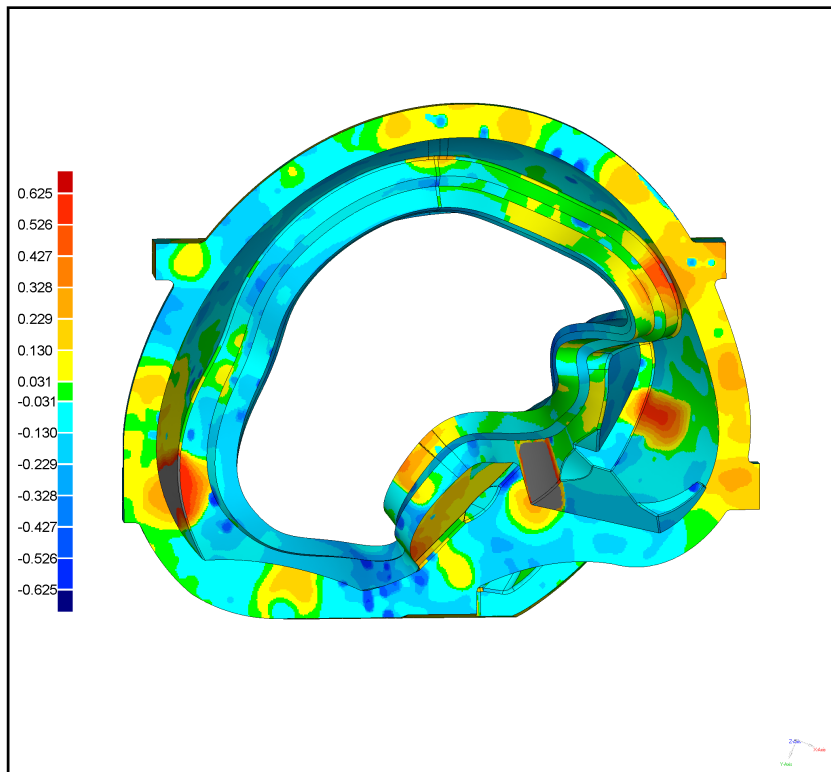
UserDefined: RIGHT



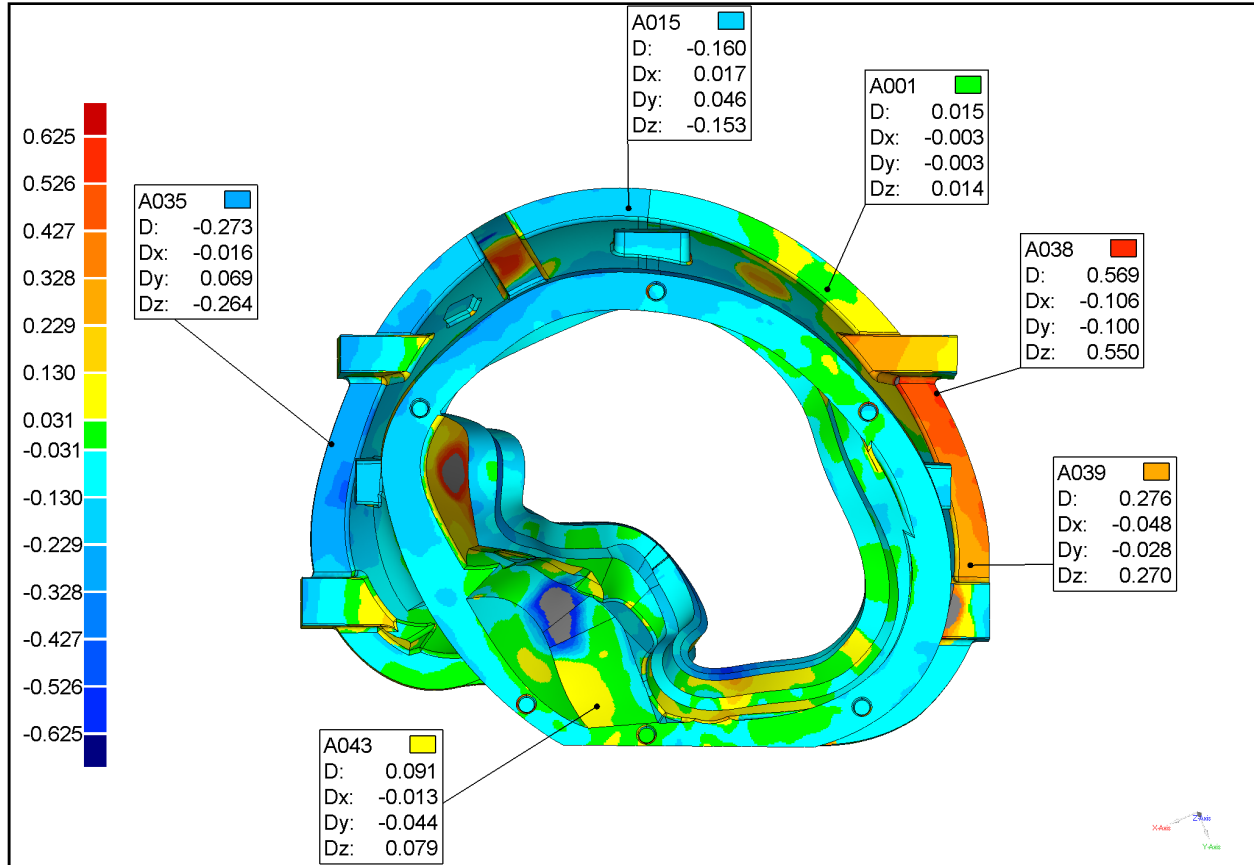
UserDefined: TOP



UserDefined: BOTTOM



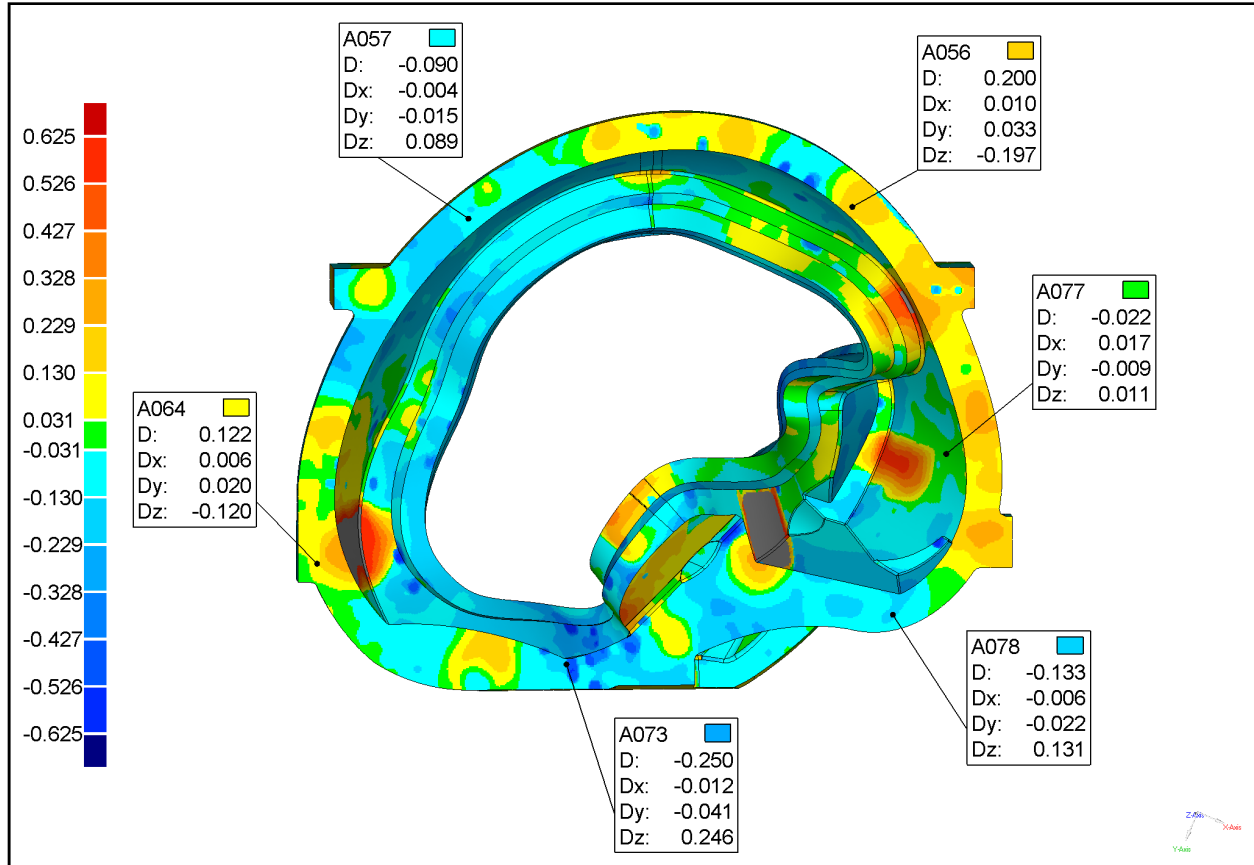
**Annotated: Annotation View 1**



Units: in

Name	Dev	Status	Tol +	Tol -	Ref X	Ref Y	Ref Z	Dev Radius	Dev X	Dev Y	Dev Z	Test X	Test Y	Test Z
A001	0.015				-12.869	48.428	-11.003	0.039	-0.003	-0.003	0.014	-12.871	48.425	-10.989
A015	-0.160				11.320	24.149	-13.860	0.039	0.017	0.046	-0.153	11.337	24.195	-14.013
A035	-0.273				70.051	39.643	-8.800	0.039	-0.016	0.069	-0.264	70.035	39.712	-9.063
A038	0.569				-22.432	70.480	-8.235	0.039	-0.106	-0.100	0.550	-22.538	70.380	-7.686
A039	0.276				-16.505	97.467	-3.081	0.039	-0.048	-0.028	0.270	-16.553	97.438	-2.811
A043	0.091				47.635	93.931	3.422	0.039	-0.013	-0.044	0.079	47.622	93.886	3.500

**Annotated: Annotation View 2**

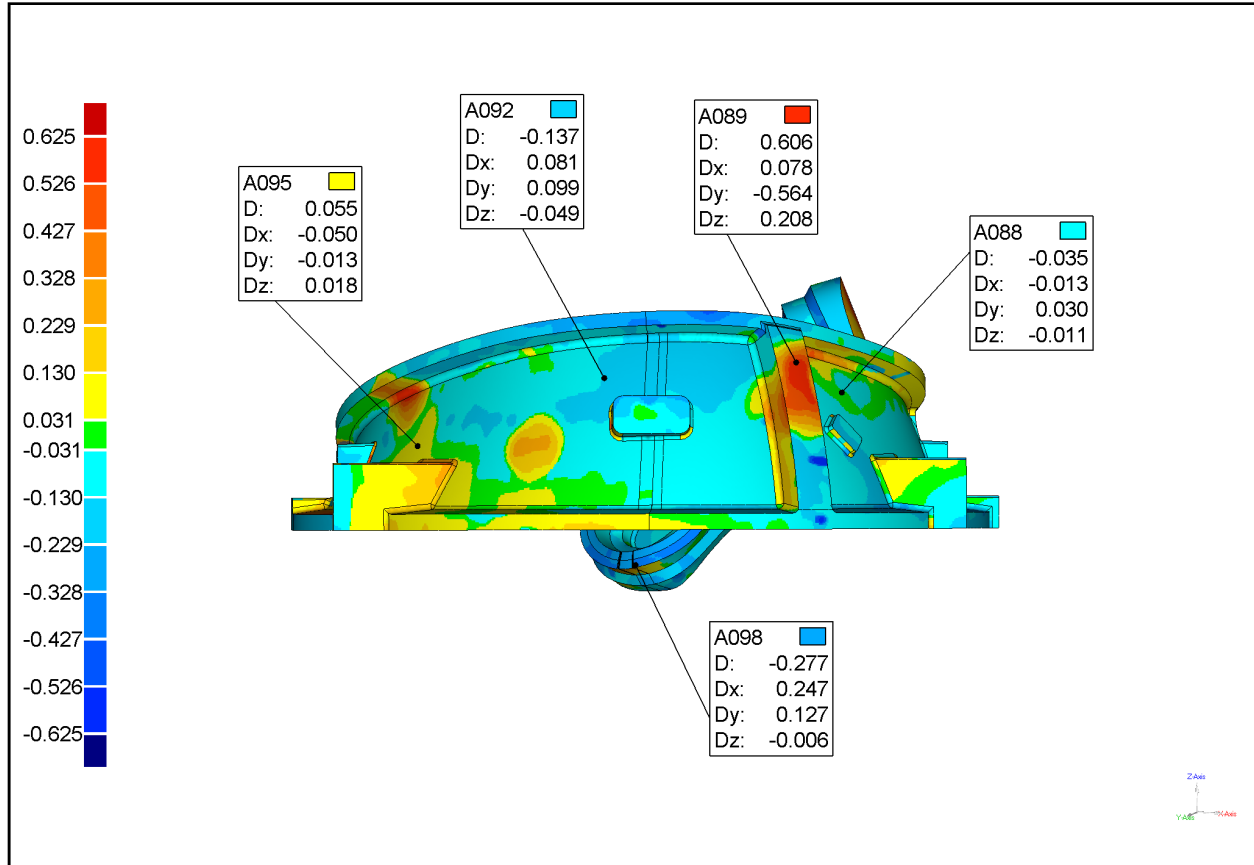


Units: in

Name	Dev	Status	Tol +	Tol -	Ref X	Ref Y	Ref Z	Dev Radius	Dev X	Dev Y	Dev Z	Test X	Test Y	Test Z
A056	0.200				41.428	23.984	-15.410	0.039	0.010	0.033	-0.197	41.438	24.017	-15.607
A057	-0.090				-12.399	48.855	-13.923	0.039	-0.004	-0.015	0.089	-12.403	48.841	-13.834
A064	0.122				-12.857	106.228	-4.414	0.039	0.006	0.020	-0.120	-12.851	106.248	-4.534
A073	-0.250				28.722	105.198	-2.542	0.039	-0.012	-0.041	0.246	28.710	105.157	-2.295
A077	-0.022				70.081	52.324	-4.506	0.039	0.017	-0.009	0.011	70.099	52.315	-4.496
A078	-0.133				72.072	78.508	-4.846	0.039	-0.006	-0.022	0.131	72.066	78.486	-4.715



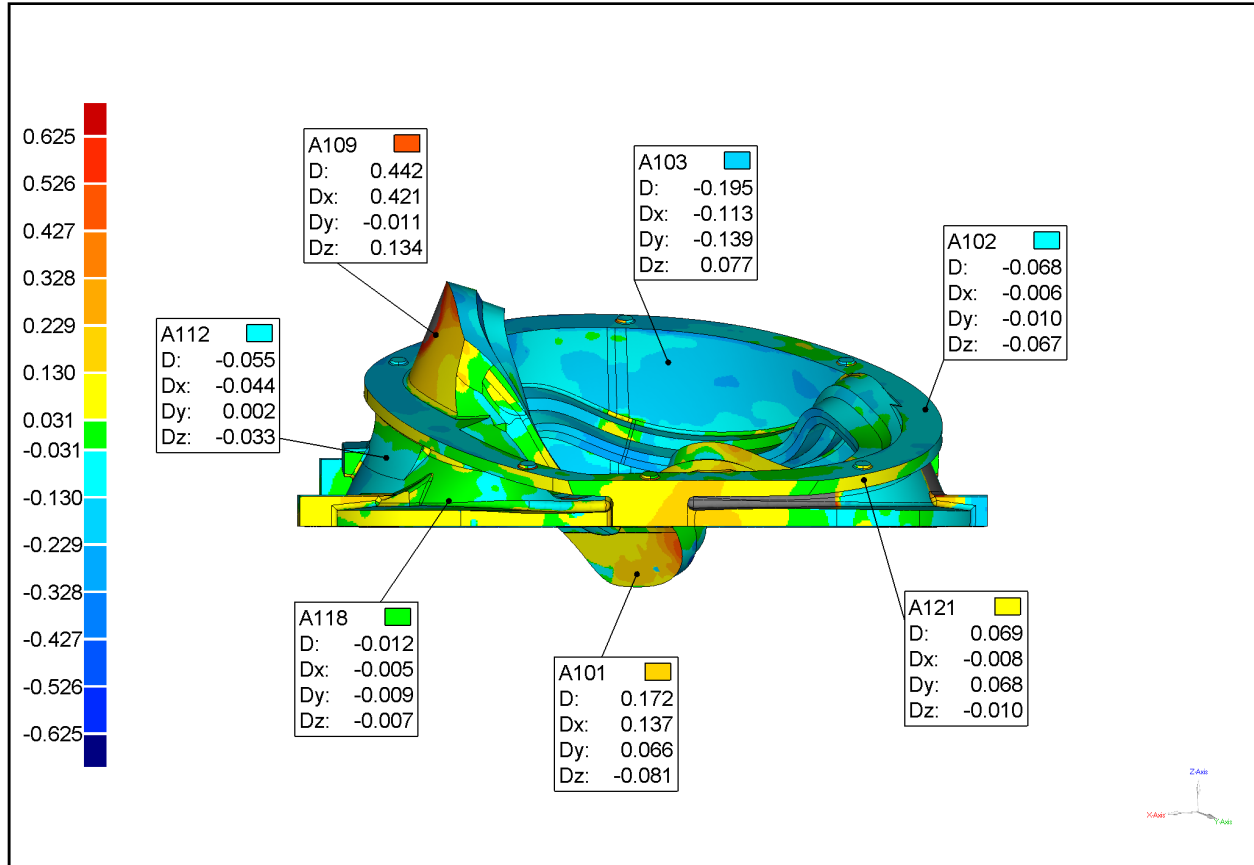
**Annotated: Annotation View 3**



Units: in

Name	Dev	Status	Tol +	Tol -	Ref X	Ref Y	Ref Z	Dev Radius	Dev X	Dev Y	Dev Z	Test X	Test Y	Test Z
A088	-0.035				44.285	30.698	7.416	0.039	-0.013	0.030	-0.011	44.272	30.728	7.405
A089	0.606				33.025	23.036	10.395	0.039	0.078	-0.564	0.208	33.103	22.472	10.603
A092	-0.137				6.157	36.501	8.931	0.039	0.081	0.099	-0.049	6.238	36.600	8.882
A095	0.055				-13.197	64.819	1.994	0.039	-0.050	-0.013	0.018	-13.248	64.806	2.012
A098	-0.277				28.313	74.709	-13.321	0.039	0.247	0.127	-0.006	28.560	74.836	-13.327

**Annotated: Annotation View 4**



Units: in

Name	Dev	Status	Tol +	Tol -	Ref X	Ref Y	Ref Z	Dev Radius	Dev X	Dev Y	Dev Z	Test X	Test Y	Test Z
A101	0.172				35.422	84.441	-13.436	0.039	0.137	0.066	-0.081	35.559	84.507	-13.517
A102	-0.068				-12.389	90.702	12.067	0.039	-0.006	-0.010	-0.067	-12.395	90.692	12.001
A103	-0.195				7.718	39.054	12.231	0.039	-0.113	-0.139	0.077	7.605	38.916	12.308
A109	0.442				56.373	52.017	21.122	0.039	0.421	-0.011	0.134	56.794	52.005	21.256
A112	-0.055				68.339	59.298	2.921	0.039	-0.044	0.002	-0.033	68.296	59.300	2.888
A118	-0.012				65.908	77.048	-1.303	0.039	-0.005	-0.009	-0.007	65.903	77.039	-1.309
A121	0.069				9.972	113.548	5.397	0.039	-0.008	0.068	-0.010	9.965	113.616	5.386

**Annotated: All**

Units: in

Name	Dev	Status	Tol +	Tol -	Ref X	Ref Y	Ref Z	Dev Radius	Dev X	Dev Y	Dev Z	Test X	Test Y	Test Z
A001	0.015				-12.869	48.428	-11.003	0.039	-0.003	-0.003	0.014	-12.871	48.425	-10.989
A015	-0.160				11.320	24.149	-13.860	0.039	0.017	0.046	-0.153	11.337	24.195	-14.013
A035	-0.273				70.051	39.643	-8.800	0.039	-0.016	0.069	-0.264	70.035	39.712	-9.063
A038	0.569				-22.432	70.480	-8.235	0.039	-0.106	-0.100	0.550	-22.538	70.380	-7.686
A039	0.276				-16.505	97.467	-3.081	0.039	-0.048	-0.028	0.270	-16.553	97.438	-2.811
A043	0.091				47.635	93.931	3.422	0.039	-0.013	-0.044	0.079	47.622	93.886	3.500
A056	0.200				41.428	23.984	-15.410	0.039	0.010	0.033	-0.197	41.438	24.017	-15.607
A057	-0.090				-12.399	48.855	-13.923	0.039	-0.004	-0.015	0.089	-12.403	48.841	-13.834
A064	0.122				-12.857	106.228	-4.414	0.039	0.006	0.020	-0.120	-12.851	106.248	-4.534
A073	-0.250				28.722	105.198	-2.542	0.039	-0.012	-0.041	0.246	28.710	105.157	-2.295
A077	-0.022				70.081	52.324	-4.506	0.039	0.017	-0.009	0.011	70.099	52.315	-4.496
A078	-0.133				72.072	78.508	-4.846	0.039	-0.006	-0.022	0.131	72.066	78.486	-4.715
A088	-0.035				44.285	30.698	7.416	0.039	-0.013	0.030	-0.011	44.272	30.728	7.405
A089	0.606				33.025	23.036	10.395	0.039	0.078	-0.564	0.208	33.103	22.472	10.603
A092	-0.137				6.157	36.501	8.931	0.039	0.081	0.099	-0.049	6.238	36.600	8.882
A095	0.055				-13.197	64.819	1.994	0.039	-0.050	-0.013	0.018	-13.248	64.806	2.012
A098	-0.277				28.313	74.709	-13.321	0.039	0.247	0.127	-0.006	28.560	74.836	-13.327
A101	0.172				35.422	84.441	-13.436	0.039	0.137	0.066	-0.081	35.559	84.507	-13.517
A102	-0.068				-12.389	90.702	12.067	0.039	-0.006	-0.010	-0.067	-12.395	90.692	12.001
A103	-0.195				7.718	39.054	12.231	0.039	-0.113	-0.139	0.077	7.605	38.916	12.308
A109	0.442				56.373	52.017	21.122	0.039	0.421	-0.011	0.134	56.794	52.005	21.256
A112	-0.055				68.339	59.298	2.921	0.039	-0.044	0.002	-0.033	68.296	59.300	2.888
A118	-0.012				65.908	77.048	-1.303	0.039	-0.005	-0.009	-0.007	65.903	77.039	-1.309
A121	0.069				9.972	113.548	5.397	0.039	-0.008	0.068	-0.010	9.965	113.616	5.386