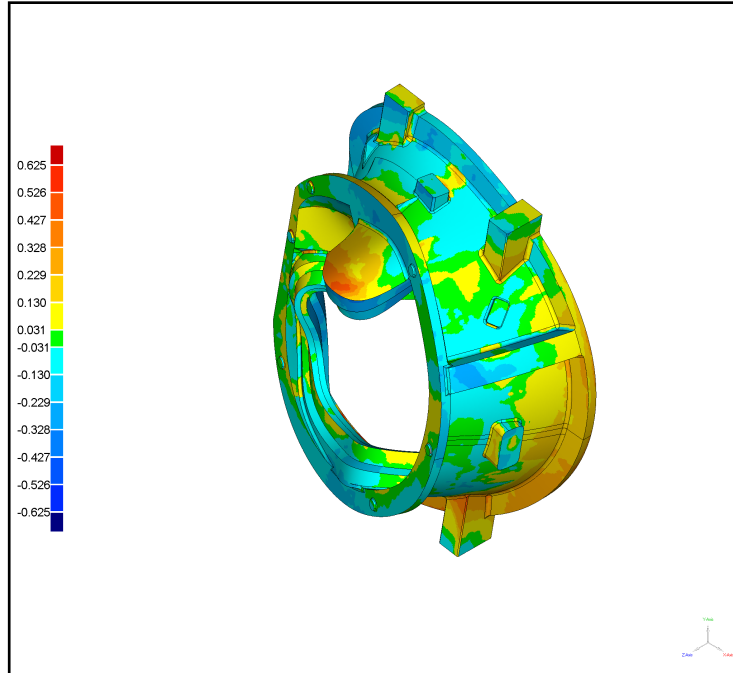


Qualify Report

Title: B4-AR
Date: 5/22/2006, 9:03 am



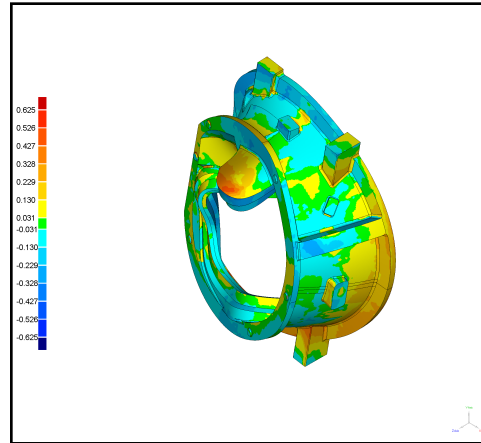
Author: Steve Pilgram
Part: B4
Test: Merged Points 1

3D Comparison Results

Reference Model	coil-b-less-shrink
Test Model	Merged Points 1
# Data Points	1185606

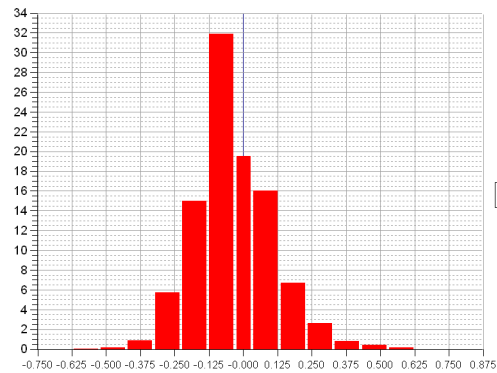
Tolerances	in
Max Tol +	0.625
Min Tol +	0.031
Min Tol -	-0.031
Max Tol -	-0.625

Deviation	in
Max Dev +	0.625
Max Dev -	-0.624
Average +/-	0.107 / -0.110
Std Dev	0.138



Percentage Deviations

>=Min	<Max	# Points	%
-0.625	-0.526	167	0.014
-0.526	-0.427	2247	0.190
-0.427	-0.328	10144	0.856
-0.328	-0.229	68260	5.757
-0.229	-0.130	177853	15.001
-0.130	-0.031	378131	31.893
-0.031	0.031	231134	19.495
0.031	0.130	190022	16.027
0.130	0.229	79354	6.693
0.229	0.328	31145	2.627
0.328	0.427	9844	0.830
0.427	0.526	5053	0.426
0.526	0.625	2251	0.190

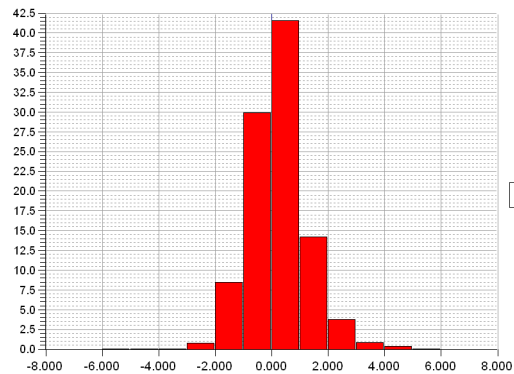


Deviation Distribution

Out of Max Tol +	1	0.000
Out of Max Tol -	0	0.000

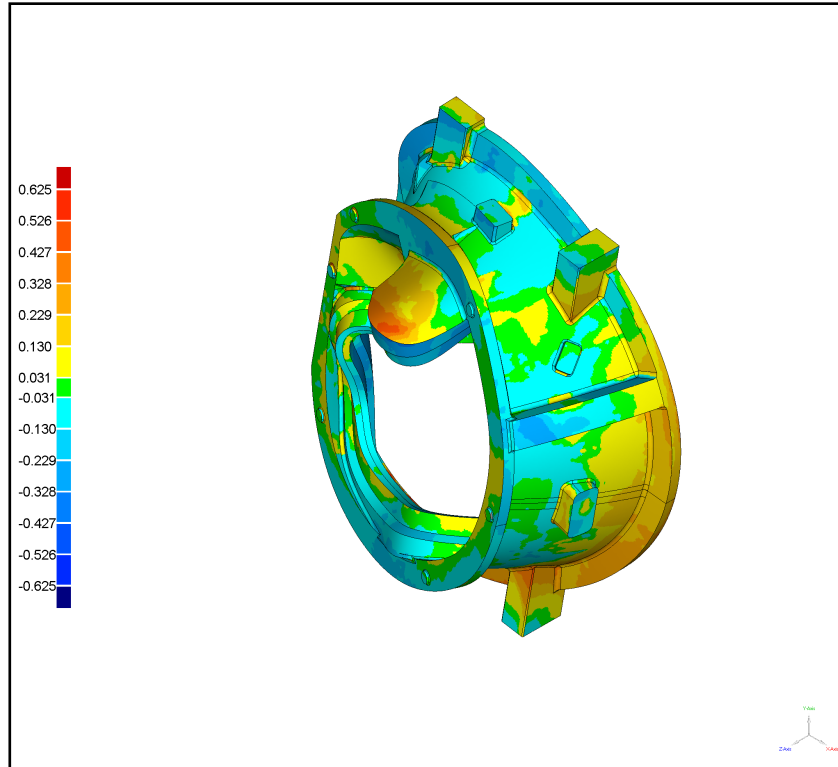
Standard Deviations

Distribution (+/-)	# Points	%
-6 * Std Dev	0	0.000
-5 * Std Dev	1	0.000
-4 * Std Dev	660	0.056
-3 * Std Dev	8766	0.739
-2 * Std Dev	100431	8.471
-1 * Std Dev	354589	29.908
1 * Std Dev	493188	41.598
2 * Std Dev	168484	14.211
3 * Std Dev	45035	3.798
4 * Std Dev	10273	0.866
5 * Std Dev	4156	0.351
6 * Std Dev	23	0.002

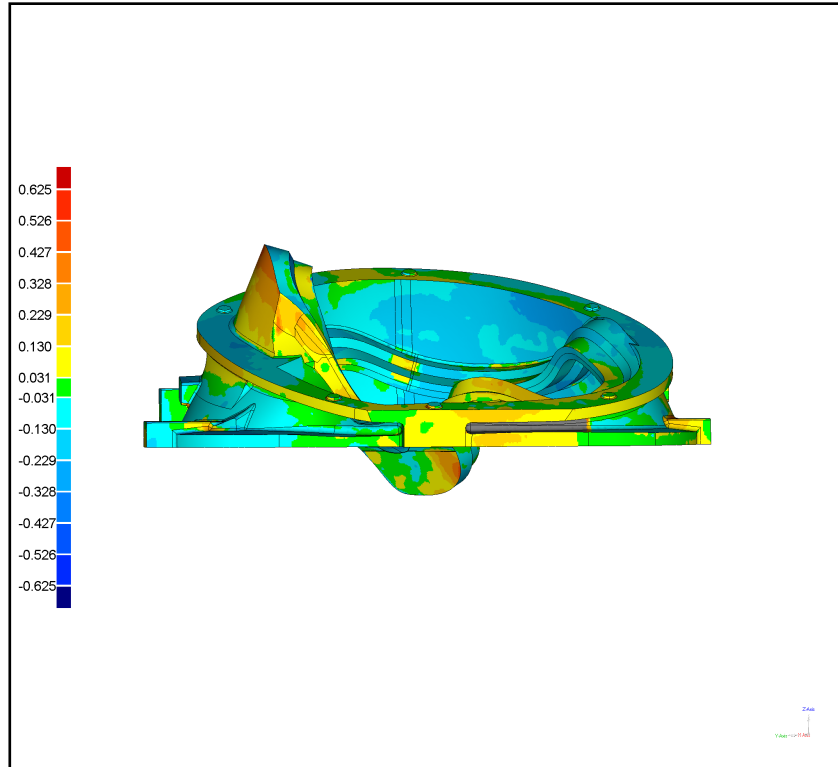


Standard Deviations

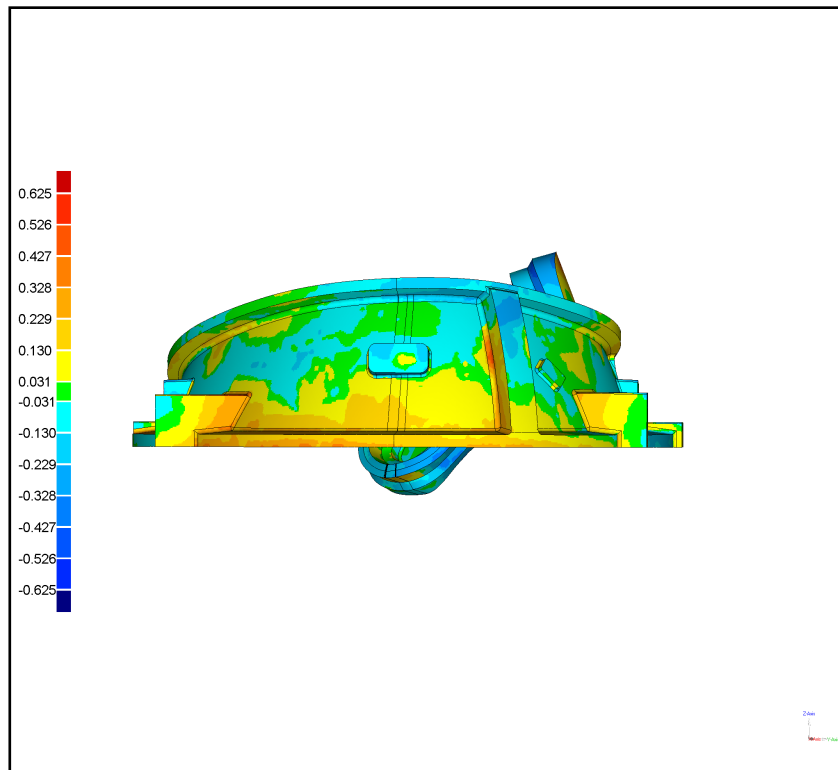
Predefined: Isometric



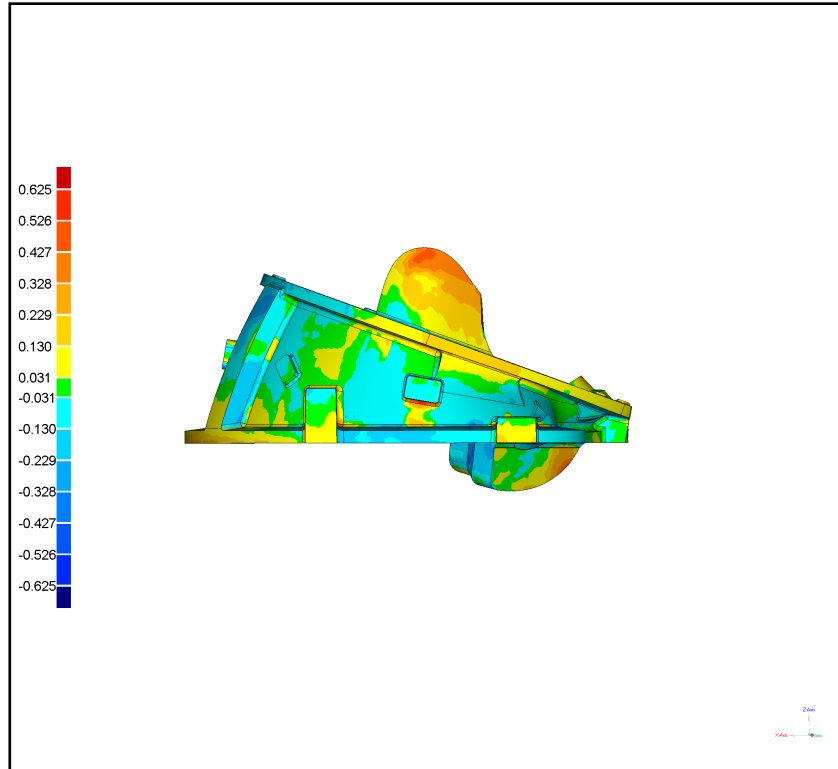
UserDefined: front



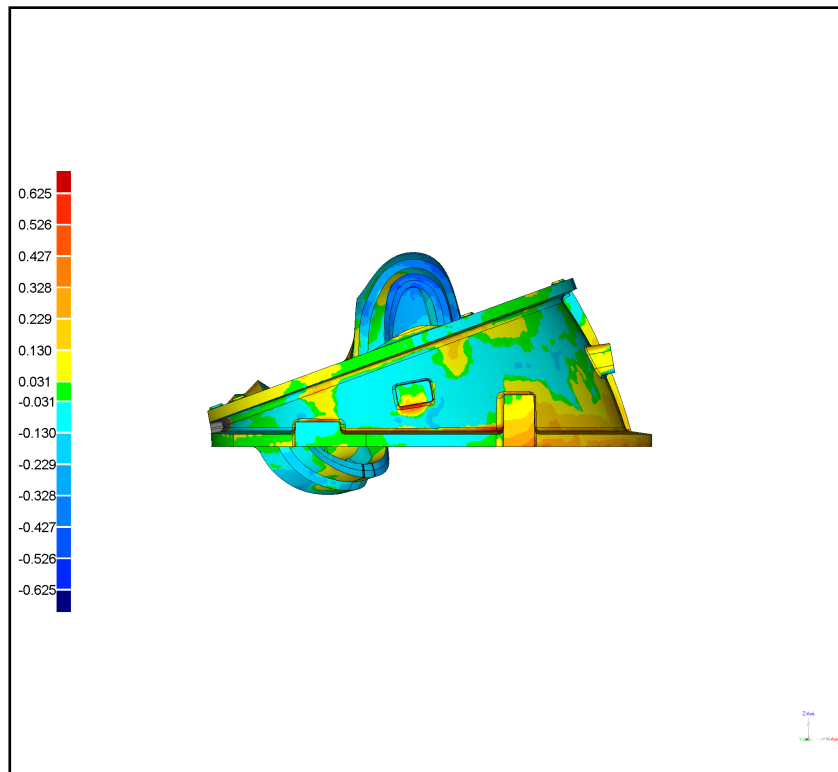
UserDefined: back



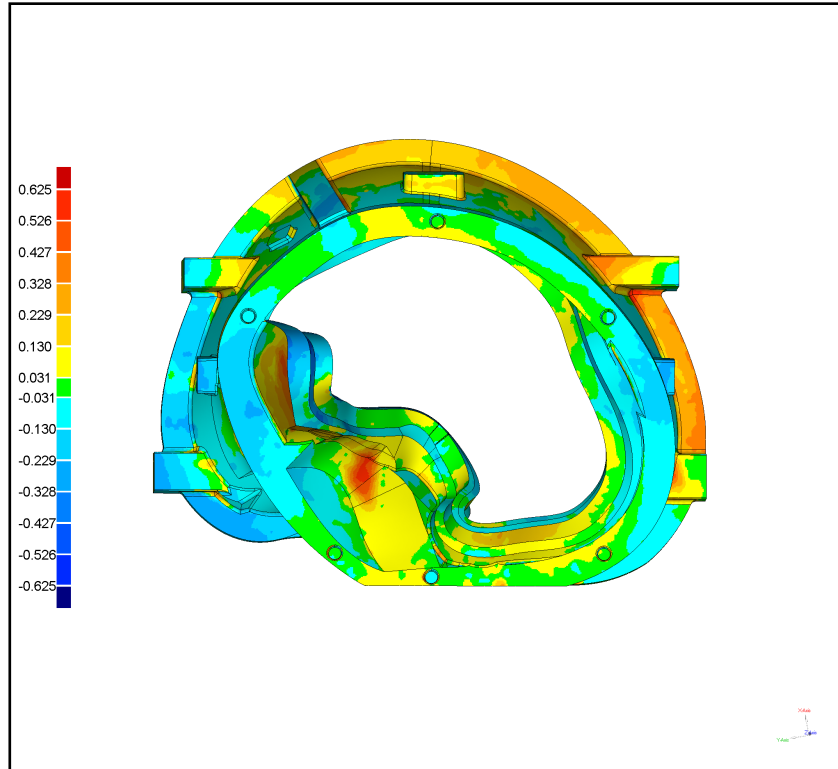
UserDefined: right



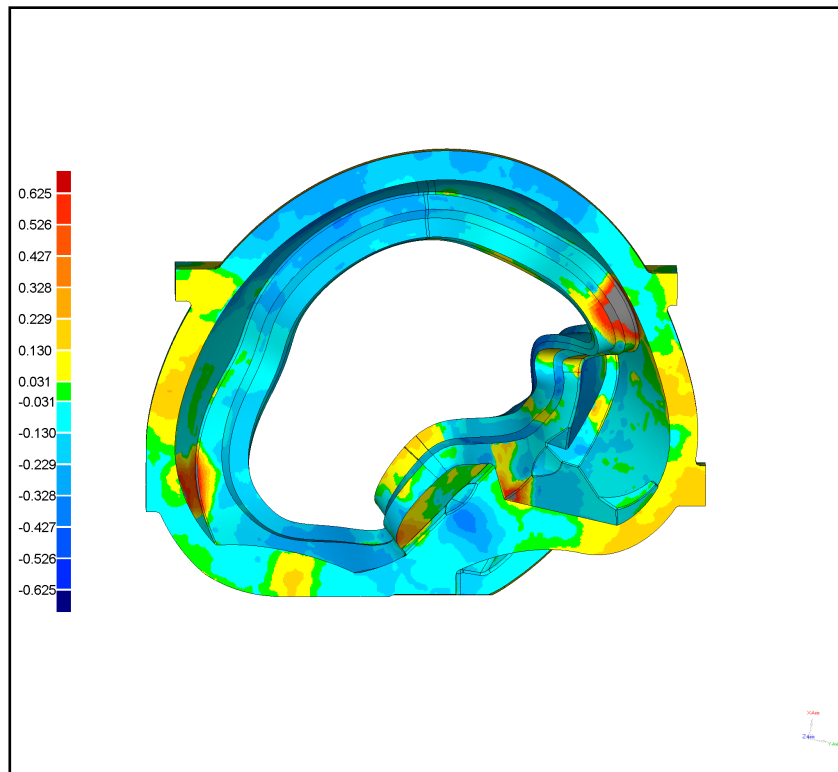
UserDefined: left



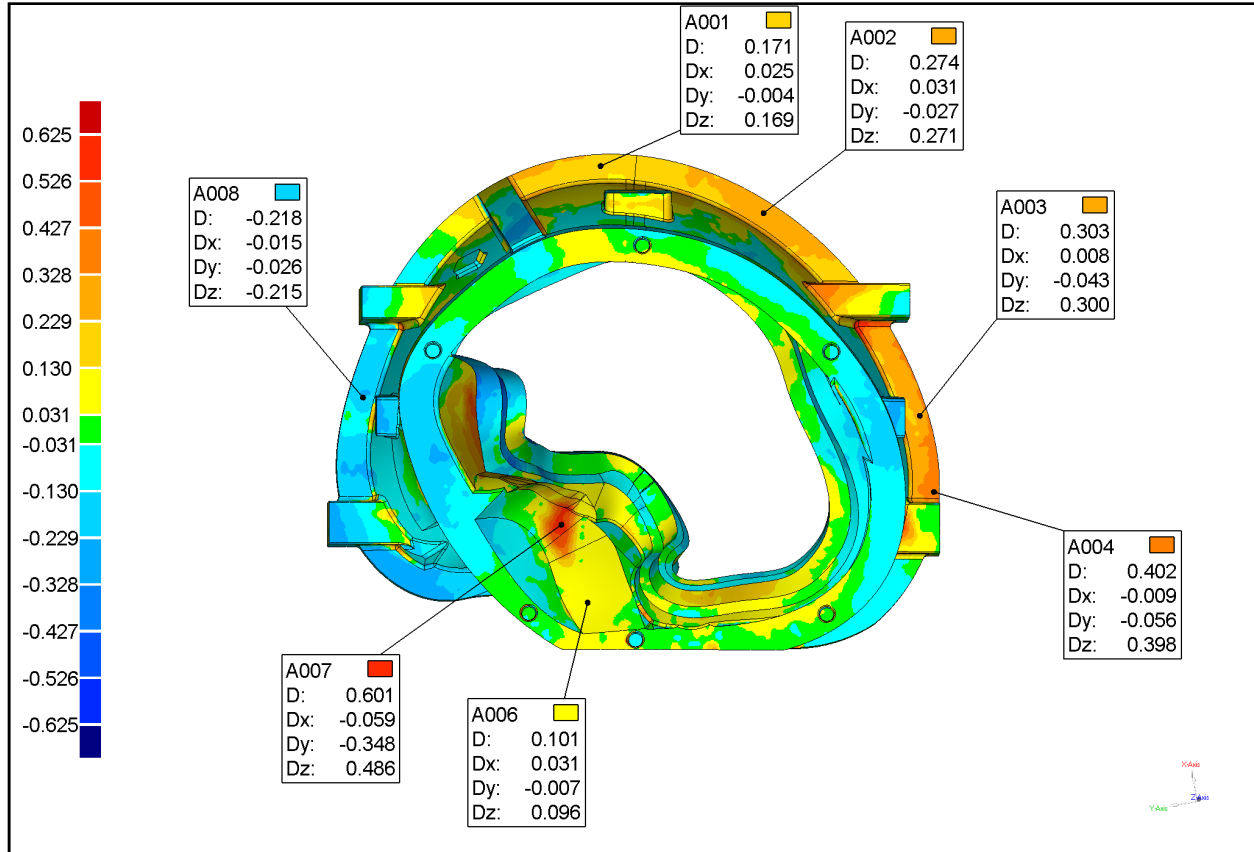
UserDefined: top



UserDefined: bottom



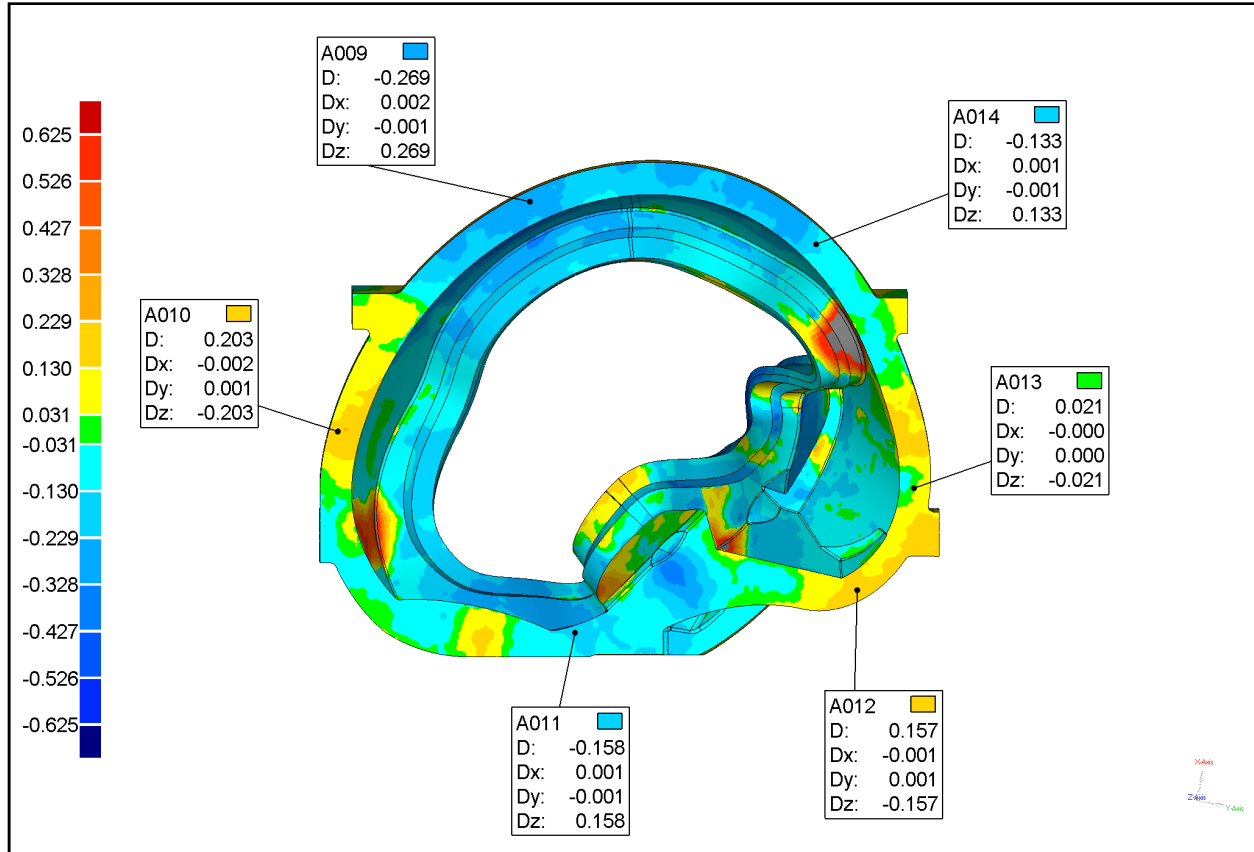
Annotated: Annotation View 1



Units: in

Name	Dev	Status	Tol +	Tol -	Ref X	Ref Y	Ref Z	Dev Radius	Dev X	Dev Y	Dev Z	Test X	Test Y	Test Z
A001	0.171				88.640	-21.273	-14.225	0.039	0.025	-0.004	0.169	88.666	-21.277	-14.056
A002	0.274				75.175	-48.753	-14.229	0.039	0.031	-0.027	0.271	75.205	-48.781	-13.958
A003	0.303				34.262	-70.082	-14.053	0.039	0.008	-0.043	0.300	34.270	-70.125	-13.754
A004	0.402				20.289	-70.190	-14.006	0.039	-0.009	-0.056	0.398	20.280	-70.247	-13.609
A006	0.101				11.170	-4.843	-10.196	0.039	0.031	-0.007	0.096	11.201	-4.850	-10.100
A007	0.601				25.955	-2.764	-12.077	0.039	-0.059	-0.348	0.486	25.896	-3.113	-11.591
A008	-0.218				54.829	28.387	-13.571	0.039	-0.015	-0.026	-0.215	54.814	28.361	-13.786

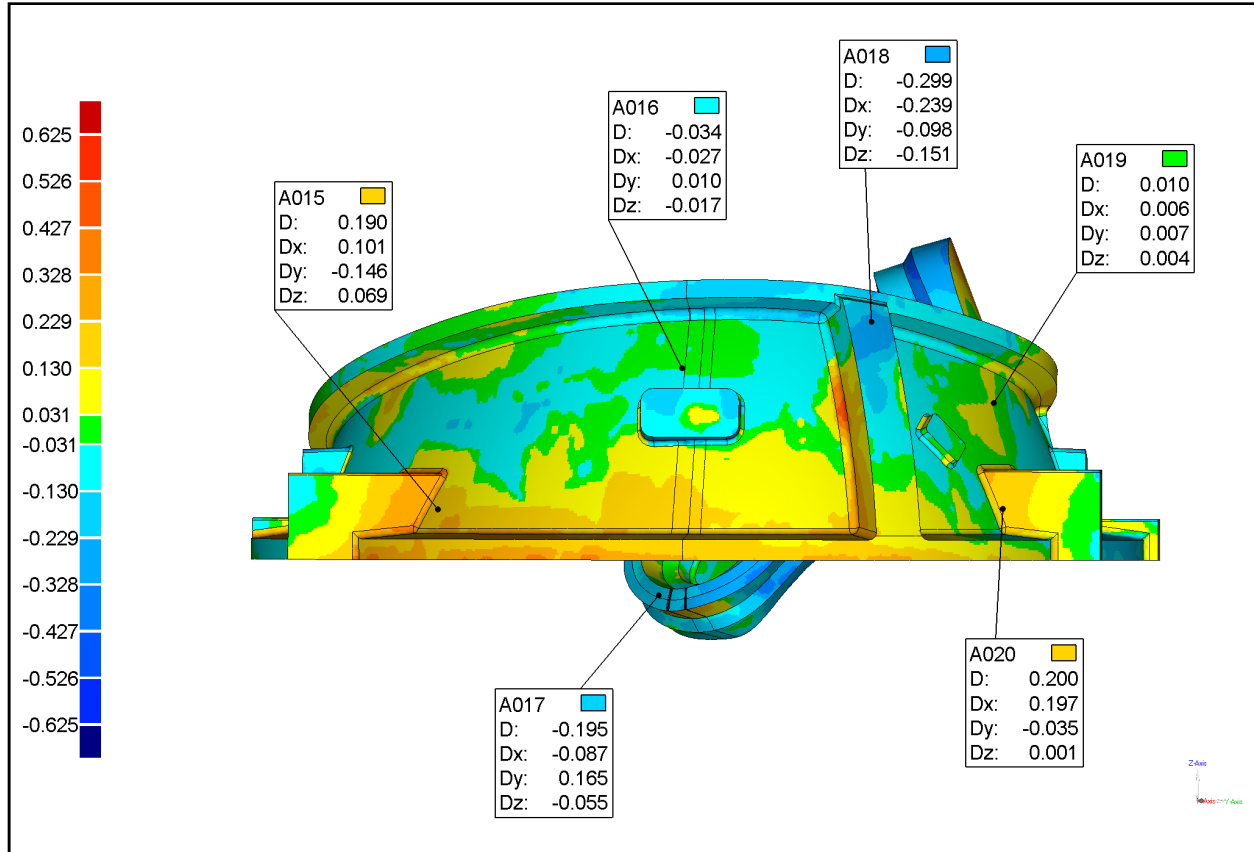
Annotated: Annotation View 2



Units: in

Name	Dev	Status	Tol +	Tol -	Ref X	Ref Y	Ref Z	Dev Radius	Dev X	Dev Y	Dev Z	Test X	Test Y	Test Z
A009	-0.269				79.587	-43.905	-17.050	0.039	0.002	-0.001	0.269	79.589	-43.907	-16.781
A010	0.203				32.832	-70.201	-16.751	0.039	-0.002	0.001	-0.203	32.830	-70.200	-16.954
A011	-0.158				4.604	-22.145	-16.243	0.039	0.001	-0.001	0.158	4.606	-22.146	-16.085
A012	0.157				21.027	25.984	-16.148	0.039	-0.001	0.001	-0.157	21.026	25.985	-16.305
A013	0.021				40.881	32.653	-16.298	0.039	-0.000	0.000	-0.021	40.881	32.653	-16.319
A014	-0.133				81.034	7.638	-16.799	0.039	0.001	-0.001	0.133	81.036	7.638	-16.666

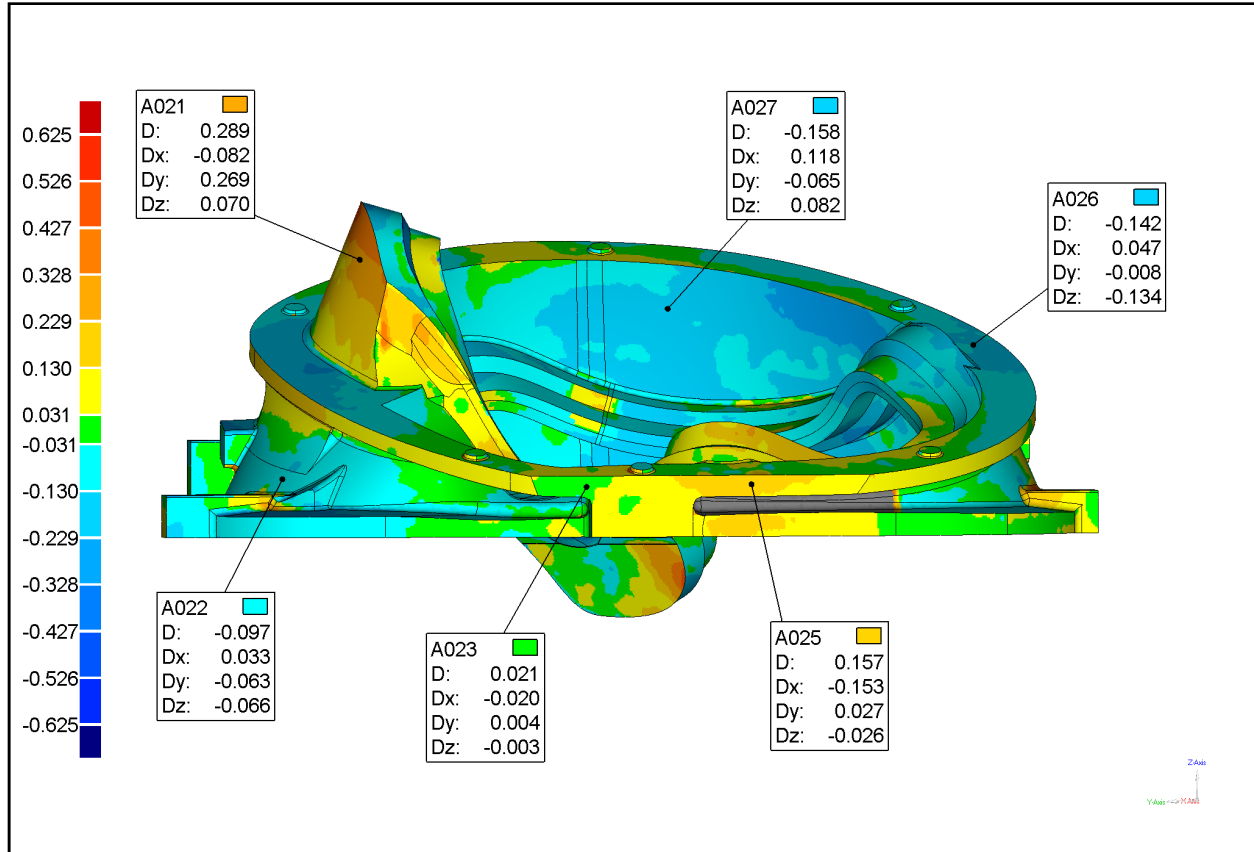
Annotated: Annotation View 3



Units: in

Name	Dev	Status	Tol +	Tol -	Ref X	Ref Y	Ref Z	Dev Radius	Dev X	Dev Y	Dev Z	Test X	Test Y	Test Z
A015	0.190				62.421	-54.327	-10.831	0.039	0.101	-0.146	0.069	62.522	-54.473	-10.762
A016	-0.034				75.333	-26.240	6.424	0.039	-0.027	0.010	-0.017	75.306	-26.230	6.408
A017	-0.195				29.381	-22.366	-20.810	0.039	-0.087	0.165	-0.055	29.293	-22.201	-20.865
A018	-0.299				77.563	-3.280	12.206	0.039	-0.239	-0.098	-0.151	77.324	-3.379	12.055
A019	0.010				63.817	13.805	2.538	0.039	0.006	0.007	0.004	63.823	13.812	2.542
A020	0.200				72.239	13.777	-10.402	0.039	0.197	-0.035	0.001	72.436	13.742	-10.400

Annotated: Annotation View 4



Units: in

Name	Dev	Status	Tol +	Tol -	Ref X	Ref Y	Ref Z	Dev Radius	Dev X	Dev Y	Dev Z	Test X	Test Y	Test Z
A021	0.289				42.227	12.282	16.103	0.039	-0.082	0.269	0.070	42.145	12.551	16.173
A022	-0.097				31.621	24.571	-9.437	0.039	0.033	-0.063	-0.066	31.654	24.508	-9.504
A023	0.021				2.667	-5.221	-10.173	0.039	-0.020	0.004	-0.003	2.646	-5.218	-10.176
A025	0.157				-0.803	-24.455	-10.047	0.039	-0.153	0.027	-0.026	-0.956	-24.428	-10.073
A026	-0.142				33.902	-60.302	5.280	0.039	0.047	-0.008	-0.134	33.949	-60.310	5.146
A027	-0.158				68.983	-31.916	9.231	0.039	0.118	-0.065	0.082	69.102	-31.982	9.314

Annotated: All

Units: in

Name	Dev	Status	Tol +	Tol -	Ref X	Ref Y	Ref Z	Dev Radius	Dev X	Dev Y	Dev Z	Test X	Test Y	Test Z
A001	0.171				88.640	-21.273	-14.225	0.039	0.025	-0.004	0.169	88.666	-21.277	-14.056
A002	0.274				75.175	-48.753	-14.229	0.039	0.031	-0.027	0.271	75.205	-48.781	-13.958
A003	0.303				34.262	-70.082	-14.053	0.039	0.008	-0.043	0.300	34.270	-70.125	-13.754
A004	0.402				20.289	-70.190	-14.006	0.039	-0.009	-0.056	0.398	20.280	-70.247	-13.609
A006	0.101				11.170	-4.843	-10.196	0.039	0.031	-0.007	0.096	11.201	-4.850	-10.100
A007	0.601				25.955	-2.764	-12.077	0.039	-0.059	-0.348	0.486	25.896	-3.113	-11.591
A008	-0.218				54.829	28.387	-13.571	0.039	-0.015	-0.026	-0.215	54.814	28.361	-13.786
A009	-0.269				79.587	-43.905	-17.050	0.039	0.002	-0.001	0.269	79.589	-43.907	-16.781
A010	0.203				32.832	-70.201	-16.751	0.039	-0.002	0.001	-0.203	32.830	-70.200	-16.954
A011	-0.158				4.604	-22.145	-16.243	0.039	0.001	-0.001	0.158	4.606	-22.146	-16.085
A012	0.157				21.027	25.984	-16.148	0.039	-0.001	0.001	-0.157	21.026	25.985	-16.305
A013	0.021				40.881	32.653	-16.298	0.039	-0.000	0.000	-0.021	40.881	32.653	-16.319
A014	-0.133				81.034	7.638	-16.799	0.039	0.001	-0.001	0.133	81.036	7.638	-16.666
A015	0.190				62.421	-54.327	-10.831	0.039	0.101	-0.146	0.069	62.522	-54.473	-10.762
A016	-0.034				75.333	-26.240	6.424	0.039	-0.027	0.010	-0.017	75.306	-26.230	6.408
A017	-0.195				29.381	-22.366	-20.810	0.039	-0.087	0.165	-0.055	29.293	-22.201	-20.865
A018	-0.299				77.563	-3.280	12.206	0.039	-0.239	-0.098	-0.151	77.324	-3.379	12.055
A019	0.010				63.817	13.805	2.538	0.039	0.006	0.007	0.004	63.823	13.812	2.542
A020	0.200				72.239	13.777	-10.402	0.039	0.197	-0.035	0.001	72.436	13.742	-10.400
A021	0.289				42.227	12.282	16.103	0.039	-0.082	0.269	0.070	42.145	12.551	16.173
A022	-0.097				31.621	24.571	-9.437	0.039	0.033	-0.063	-0.066	31.654	24.508	-9.504
A023	0.021				2.667	-5.221	-10.173	0.039	-0.020	0.004	-0.003	2.646	-5.218	-10.176
A025	0.157				-0.803	-24.455	-10.047	0.039	-0.153	0.027	-0.026	-0.956	-24.428	-10.073
A026	-0.142				33.902	-60.302	5.280	0.039	0.047	-0.008	-0.134	33.949	-60.310	5.146
A027	-0.158				68.983	-31.916	9.231	0.039	0.118	-0.065	0.082	69.102	-31.982	9.314