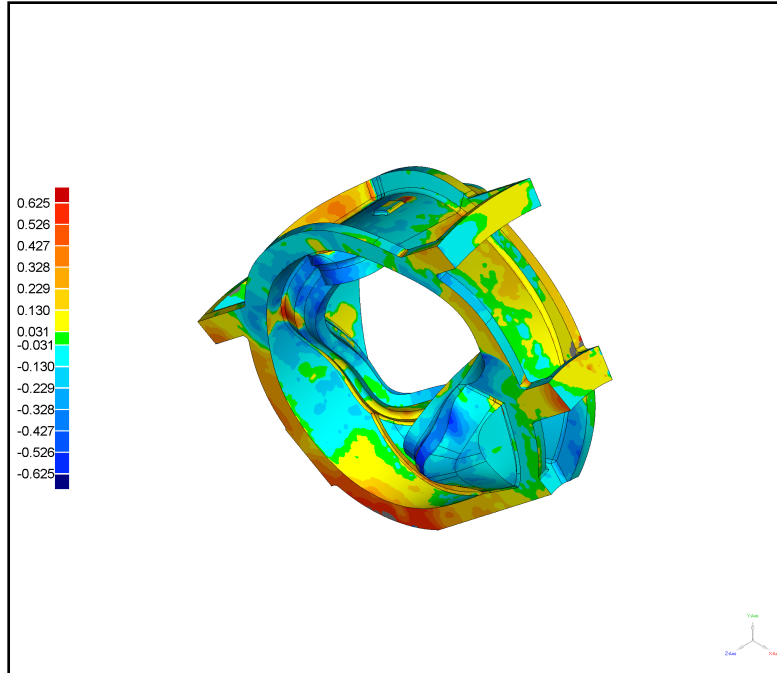


### Qualify Report

Title: C4-AR  
Date: 11/9/2005, 3:28 pm



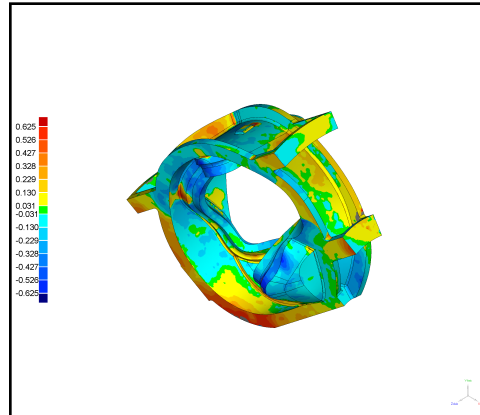
Author: Steve Pilgram  
Part: C4 Coil

### 3D Comparison Results

Reference Model	c-coil-casting
Test Model	Merged Points 1
# Data Points	1213785

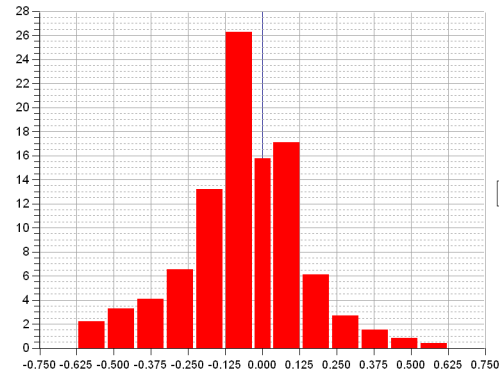
Tolerances	in
Max Tol +	0.625
Min Tol +	0.031
Min Tol -	-0.031
Max Tol -	-0.625

Deviation	in
Max Dev +	0.625
Max Dev -	-0.625
Average +/-	0.121 / -0.166
Std Dev	0.194



#### Percentage Deviations

>=Min	<Max	# Points	%
-0.625	-0.526	26956	2.221
-0.526	-0.427	40097	3.303
-0.427	-0.328	49279	4.060
-0.328	-0.229	79265	6.530
-0.229	-0.130	160073	13.188
-0.130	-0.031	318555	26.245
-0.031	0.031	191359	15.765
0.031	0.130	207663	17.109
0.130	0.229	74408	6.130
0.229	0.328	32860	2.707
0.328	0.427	18560	1.529
0.427	0.526	9726	0.801
0.526	0.625	4983	0.411

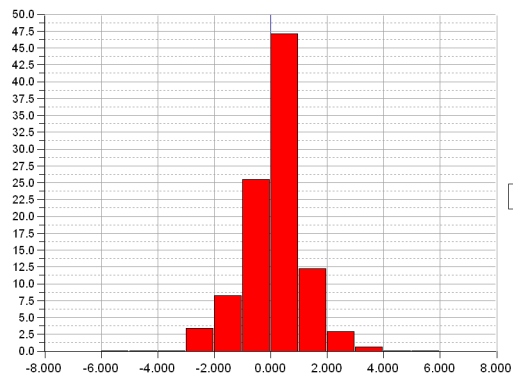


Deviation Distribution

Out of Max Tol +	0	0.000
Out of Max Tol -	1	0.000

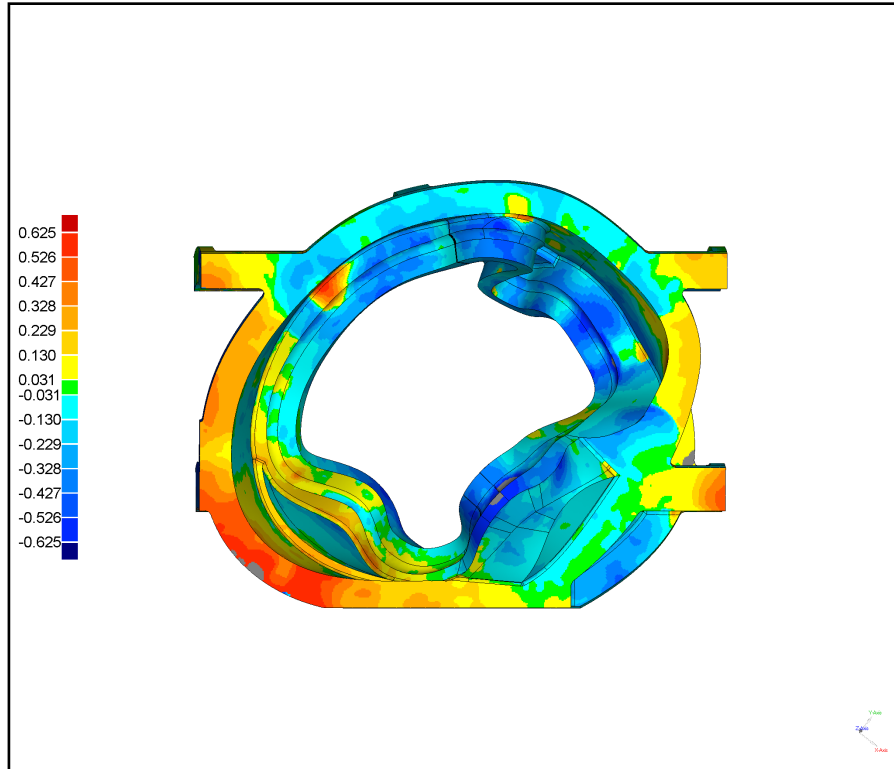
#### Standard Deviations

Distribution (+/-)	# Points	%
-6 * Std Dev	0	0.000
-5 * Std Dev	0	0.000
-4 * Std Dev	0	0.000
-3 * Std Dev	41262	3.399
-2 * Std Dev	100464	8.277
-1 * Std Dev	308832	25.444
1 * Std Dev	571334	47.070
2 * Std Dev	148552	12.239
3 * Std Dev	35279	2.907
4 * Std Dev	8062	0.664
5 * Std Dev	0	0.000
6 * Std Dev	0	0.000

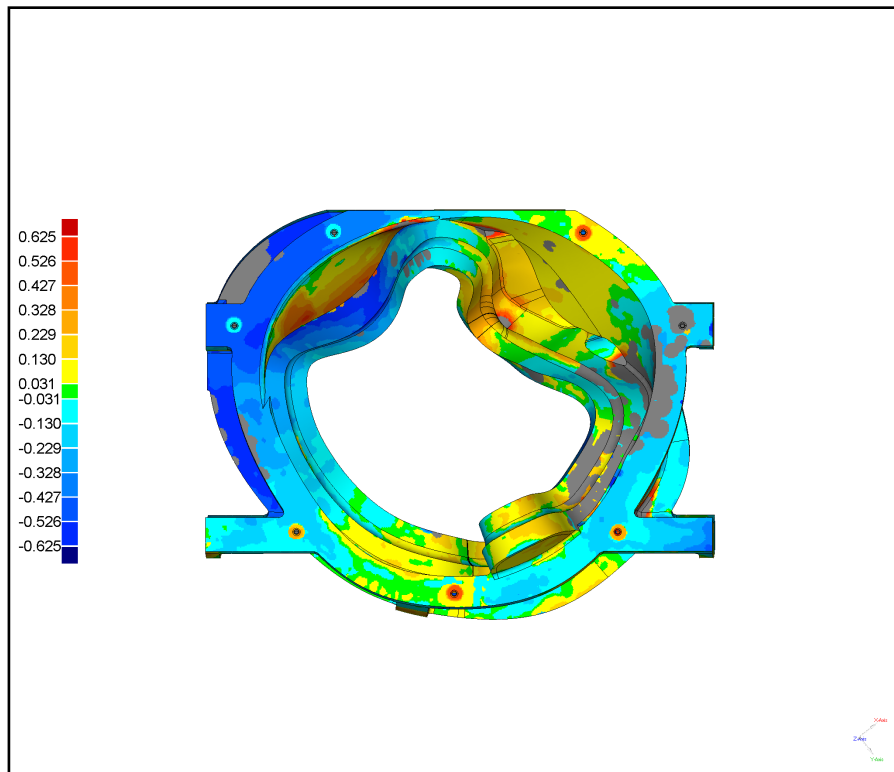


Standard Deviations

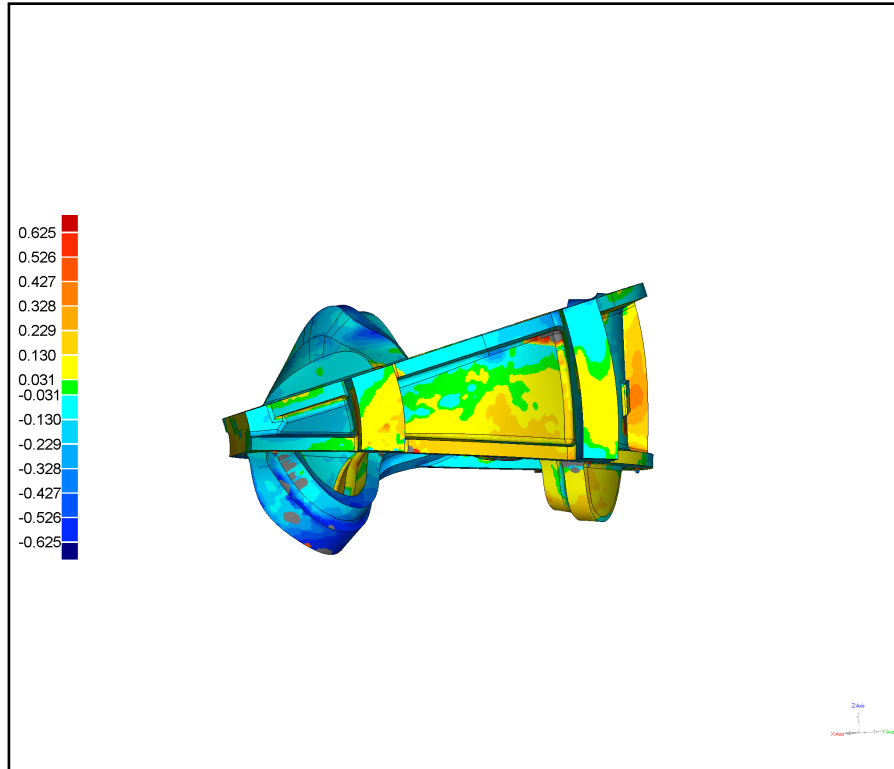
UserDefined: top



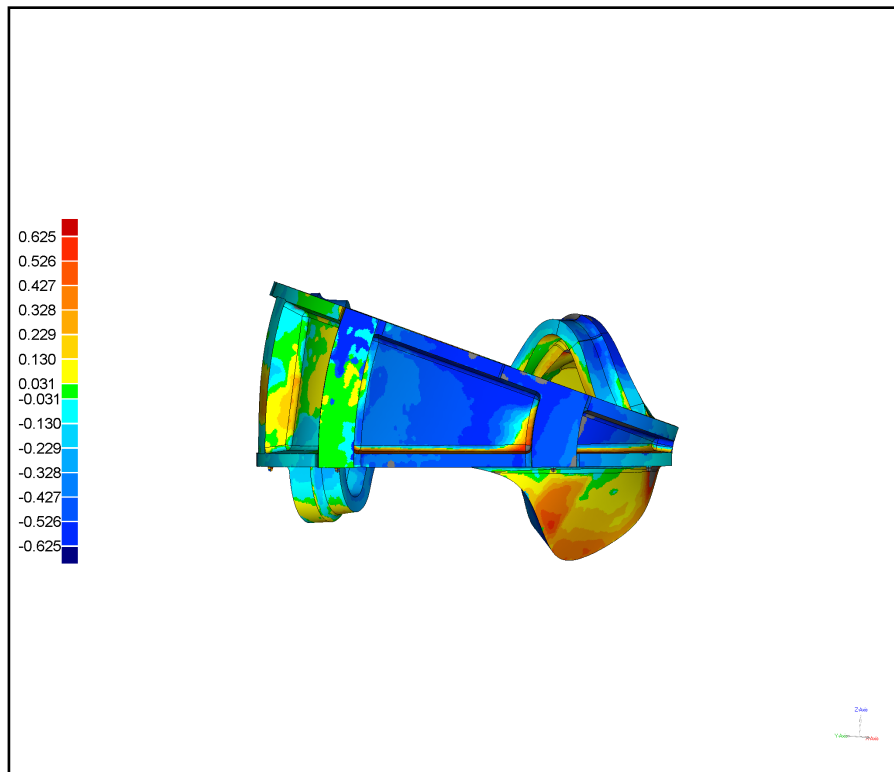
UserDefined: bottom



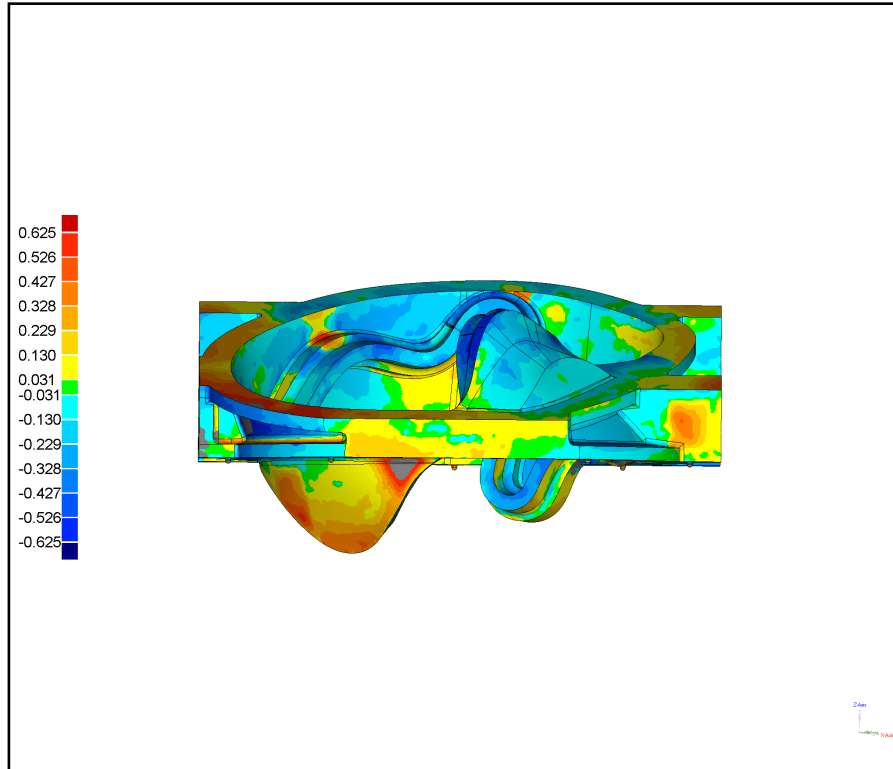
UserDefined: right



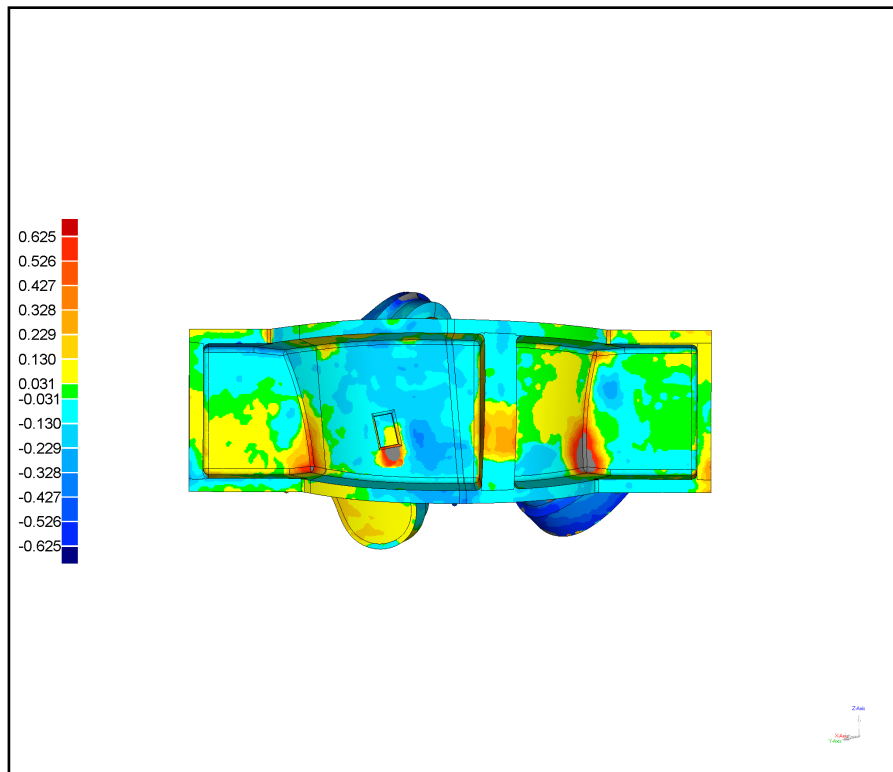
UserDefined: left



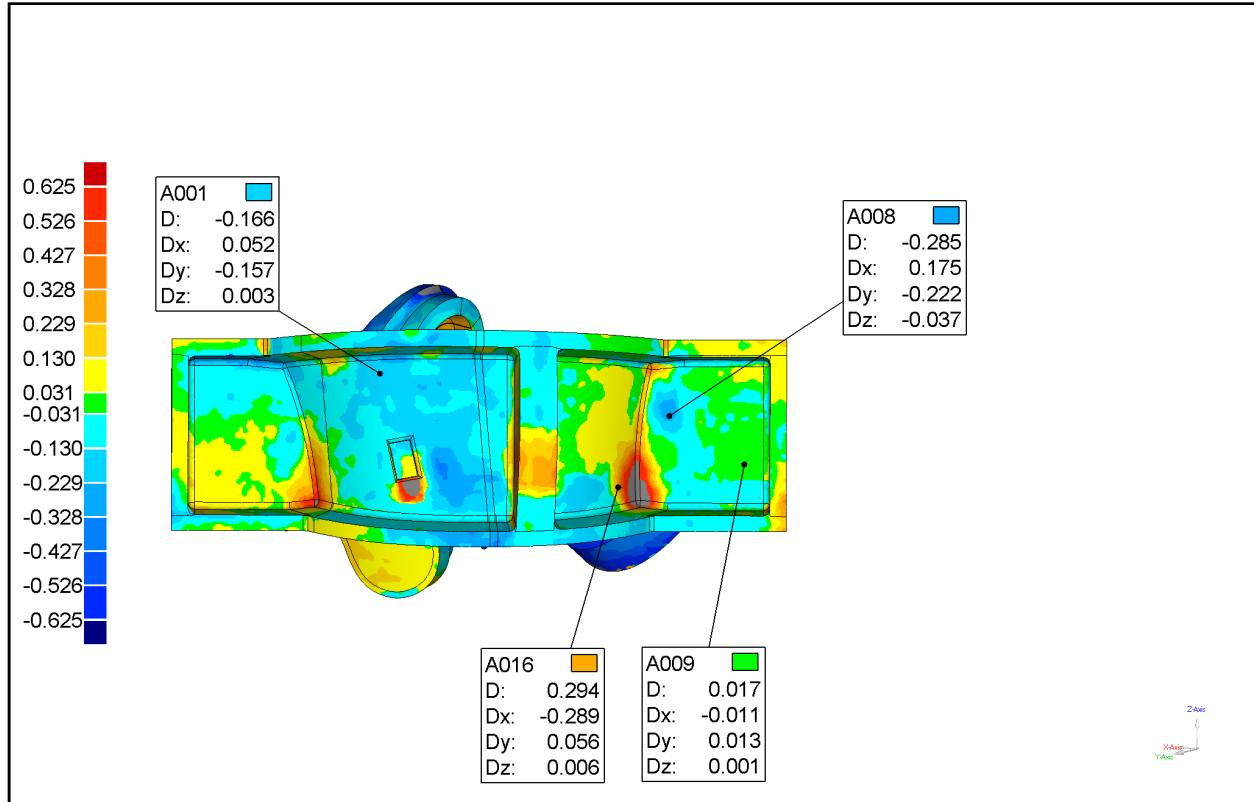
UserDefined: front



UserDefined: back



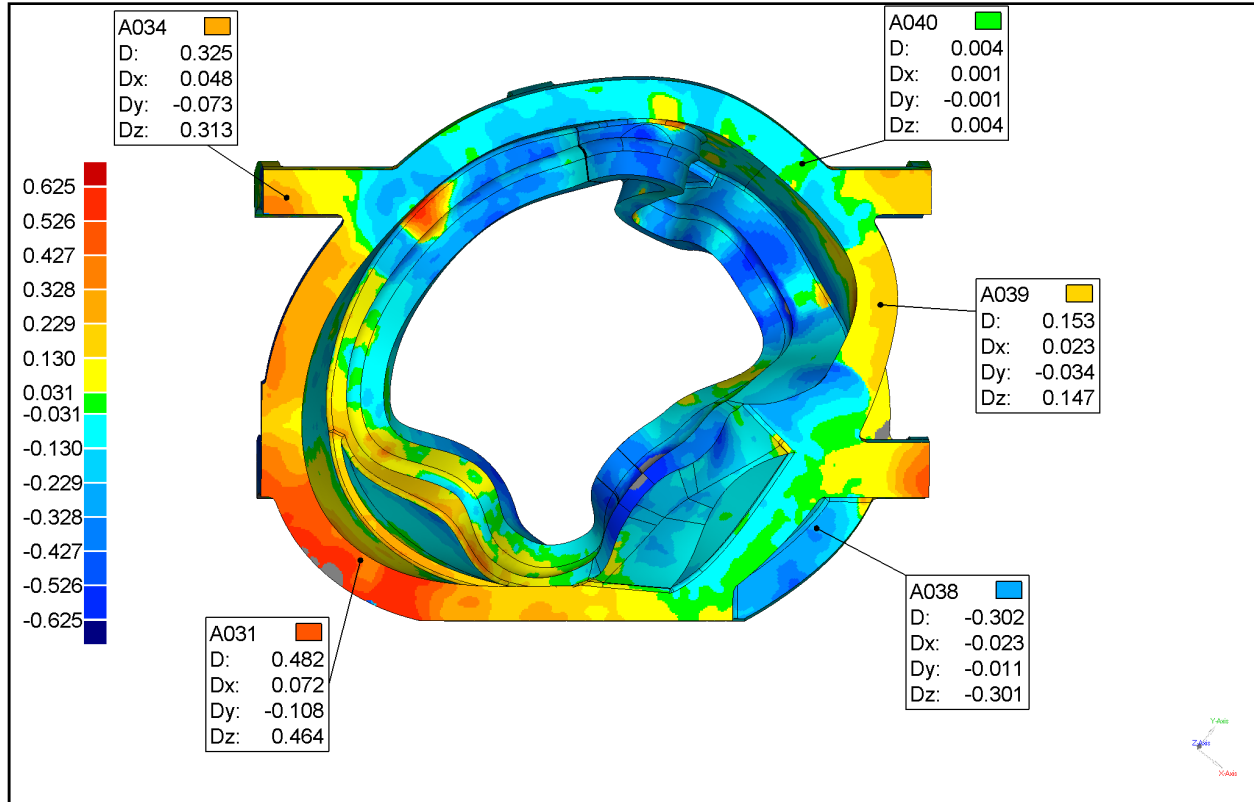
**Annotated: Annotation View 1**



Units: in

Name	Dev	Status	Tol +	Tol -	Ref X	Ref Y	Ref Z	Dev Radius	Dev X	Dev Y	Dev Z	Test X	Test Y	Test Z
A001	-0.166				57.864	76.351	50.959	0.039	0.052	-0.157	0.003	57.916	76.194	50.963
A008	-0.285				27.846	41.336	41.954	0.039	0.175	-0.222	-0.037	28.020	41.114	41.917
A009	0.017				18.293	34.683	34.165	0.039	-0.011	0.013	0.001	18.282	34.696	34.166
A016	0.294				32.170	49.151	31.349	0.039	-0.289	0.056	0.006	31.881	49.207	31.355

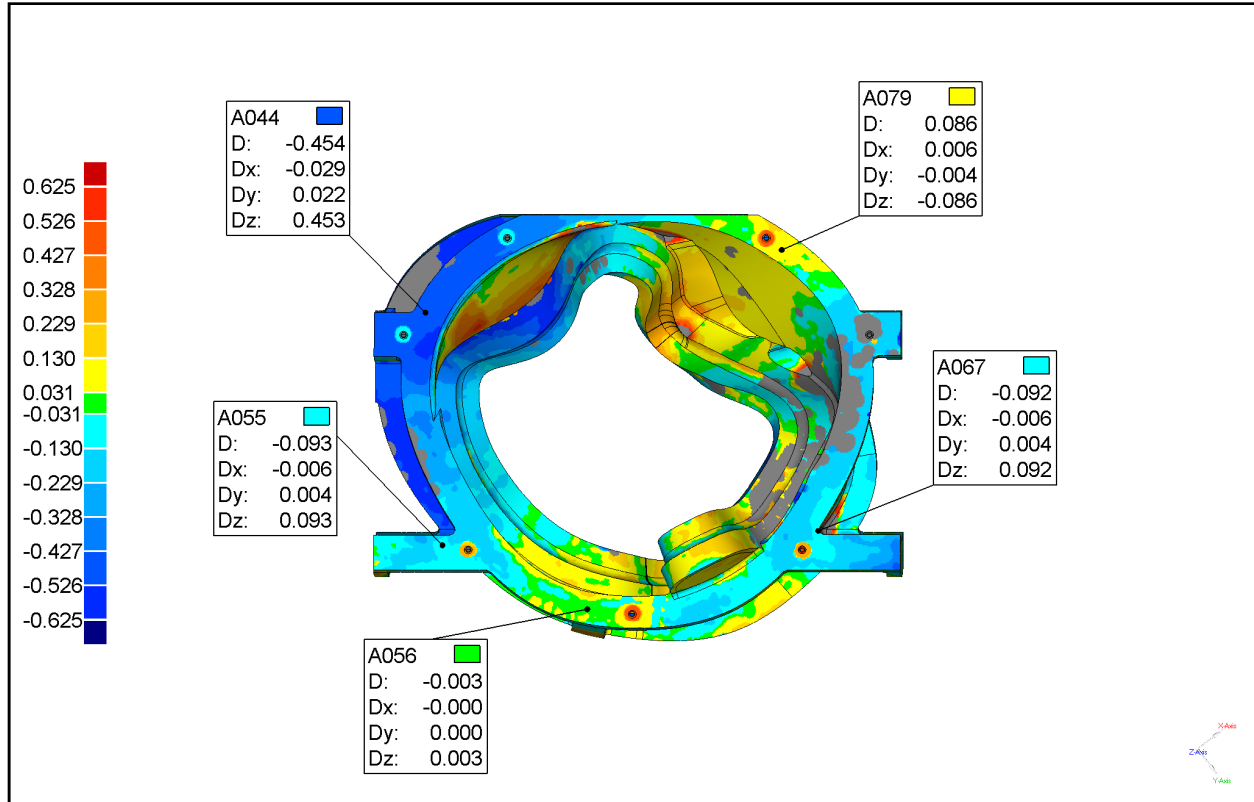
**Annotated: Annotation View 2**



Units: in

Name	Dev	Status	Tol +	Tol -	Ref X	Ref Y	Ref Z	Dev Radius	Dev X	Dev Y	Dev Z	Test X	Test Y	Test Z
A031	0.482				57.285	-2.758	38.936	0.039	0.072	-0.108	0.464	57.357	-2.866	39.400
A034	0.325				16.996	30.435	52.898	0.039	0.048	-0.073	0.313	17.045	30.362	53.211
A038	-0.302				106.186	42.369	32.818	0.039	-0.023	-0.011	-0.301	106.164	42.359	32.518
A039	0.153				93.952	71.406	50.523	0.039	0.023	-0.034	0.147	93.975	71.372	50.670
A040	0.004				72.636	79.922	55.804	0.039	0.001	-0.001	0.004	72.637	79.922	55.808

**Annotated: Annotation View 3**



Units: in

Name	Dev	Status	Tol +	Tol -	Ref X	Ref Y	Ref Z	Dev Radius	Dev X	Dev Y	Dev Z	Test X	Test Y	Test Z
A044	-0.454				47.217	2.387	27.920	0.039	-0.029	0.022	0.453	47.188	2.409	28.373
A055	-0.093				23.420	38.216	24.667	0.039	-0.006	0.004	0.093	23.414	38.220	24.760
A056	-0.003				37.084	63.860	24.311	0.039	-0.000	0.000	0.003	37.084	63.860	24.314
A067	-0.092				79.240	78.429	26.319	0.039	-0.006	0.004	0.092	79.234	78.433	26.411
A079	0.086				105.669	33.346	30.187	0.039	0.006	-0.004	-0.086	105.674	33.342	30.101



**Annotated: All**

Units: in

Name	Dev	Status	Tol +	Tol -	Ref X	Ref Y	Ref Z	Dev Radius	Dev X	Dev Y	Dev Z	Test X	Test Y	Test Z
A001	-0.166				57.864	76.351	50.959	0.039	0.052	-0.157	0.003	57.916	76.194	50.963
A008	-0.285				27.846	41.336	41.954	0.039	0.175	-0.222	-0.037	28.020	41.114	41.917
A009	0.017				18.293	34.683	34.165	0.039	-0.011	0.013	0.001	18.282	34.696	34.166
A016	0.294				32.170	49.151	31.349	0.039	-0.289	0.056	0.006	31.881	49.207	31.355
A031	0.482				57.285	-2.758	38.936	0.039	0.072	-0.108	0.464	57.357	-2.866	39.400
A034	0.325				16.996	30.435	52.898	0.039	0.048	-0.073	0.313	17.045	30.362	53.211
A038	-0.302				106.186	42.369	32.818	0.039	-0.023	-0.011	-0.301	106.164	42.359	32.518
A039	0.153				93.952	71.406	50.523	0.039	0.023	-0.034	0.147	93.975	71.372	50.670
A040	0.004				72.636	79.922	55.804	0.039	0.001	-0.001	0.004	72.637	79.922	55.808
A044	-0.454				47.217	2.387	27.920	0.039	-0.029	0.022	0.453	47.188	2.409	28.373
A055	-0.093				23.420	38.216	24.667	0.039	-0.006	0.004	0.093	23.414	38.220	24.760
A056	-0.003				37.084	63.860	24.311	0.039	-0.000	0.000	0.003	37.084	63.860	24.314
A067	-0.092				79.240	78.429	26.319	0.039	-0.006	0.004	0.092	79.234	78.433	26.411
A079	0.086				105.669	33.346	30.187	0.039	0.006	-0.004	-0.086	105.674	33.342	30.101