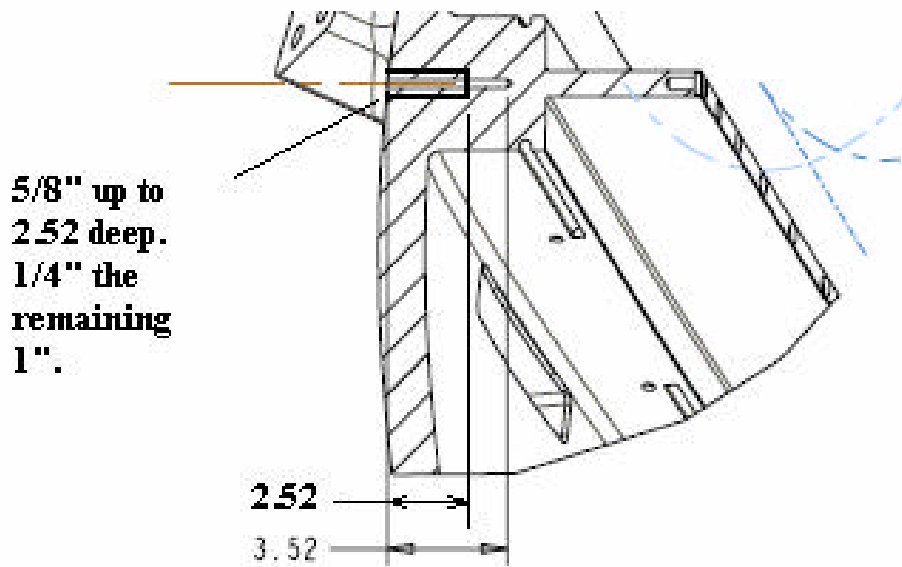
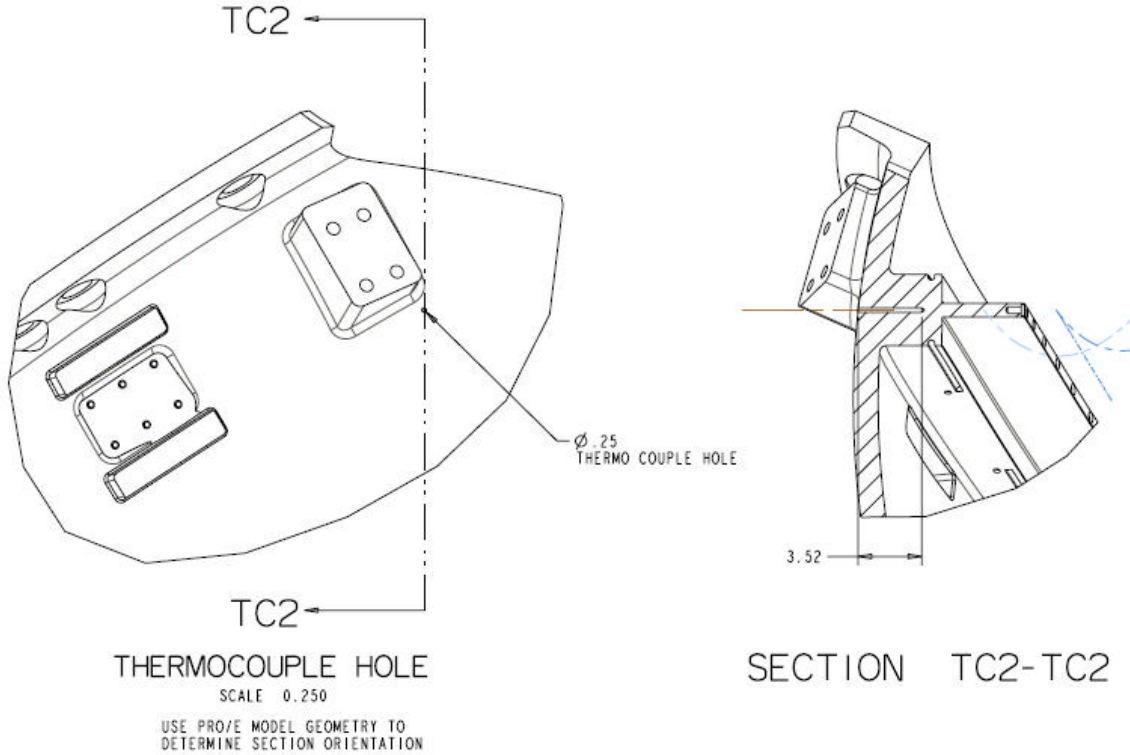


SE141-114 Type A Thermocouple TC2-TC2



We are requesting a change to the thermocouple in section TC2-TC2 of drawing SE141-114 sheet 9 similar to what has already been approved on the thermocouple at location TC1-TC1.

Princeton University

Plasma Physics Laboratory

James Forrestal Campus
P.O. Box CN17
Princeton, N.J. 08543

4 March 2006

Ms. Nancy Horton
Energy Industries of Ohio
6100 Oak Tree Boulevard, Suite 200
Independence, Ohio 44131

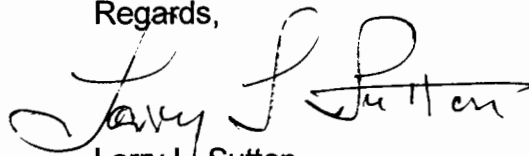
SUBJECT: Subcontract S005242-F
Rapid Response Change to Type A Castings – Thermocouple Hole

Dear Ms. Horton:

To facilitate drilling of the thermocouple hole shown in drawing Number SE 141-114, sheet 9, the diameter of the 8.2 inch deep thermocouple hole will be increased to 5/8" for the first 7.2 inches of depth, followed by a diameter of 0.25 inch for the remaining 1 inch depth.

This change is effective immediately. The formal drawing revision will be included with the next specification update.

Regards,



Larry L. Sutton
Senior Subcontract Administrator

cc: M. Tyrrell
B. Simmons
F. Malinowski
P. Heitzenroeder