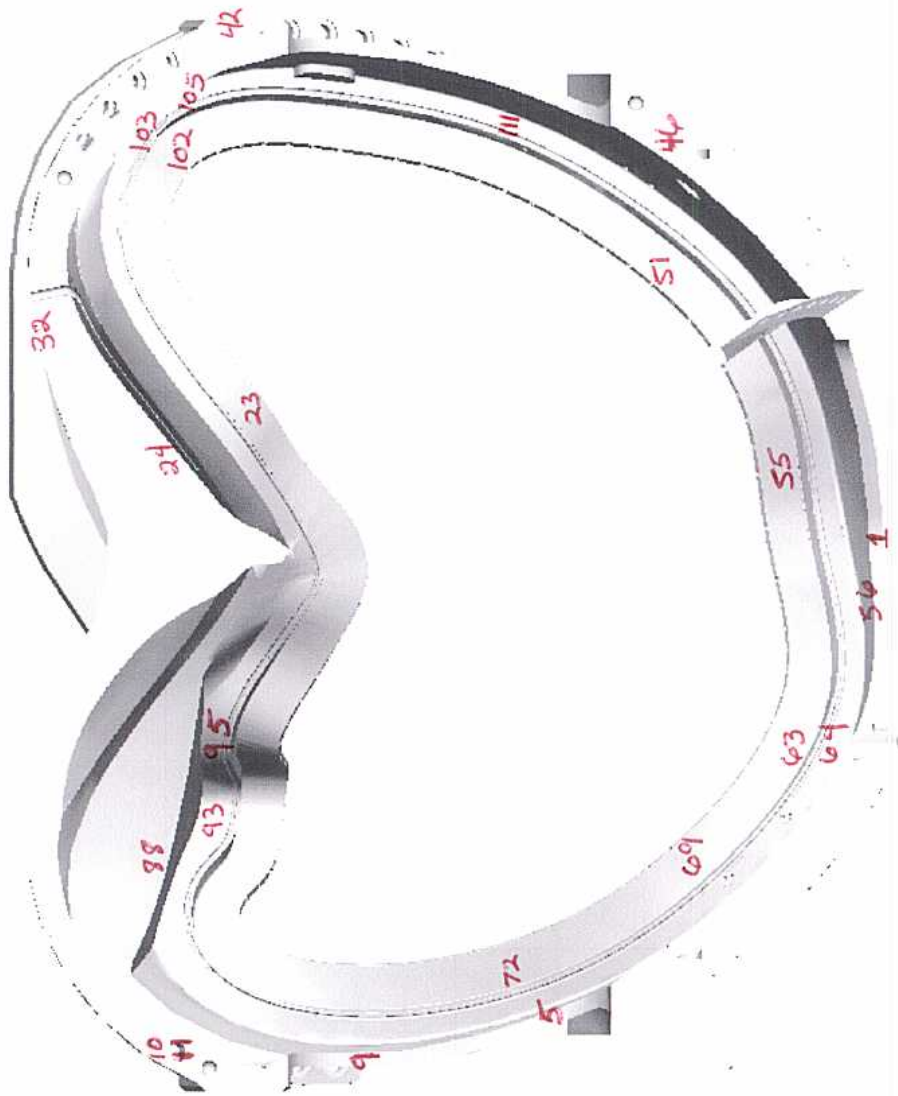


A-1 COIL WELD MAP

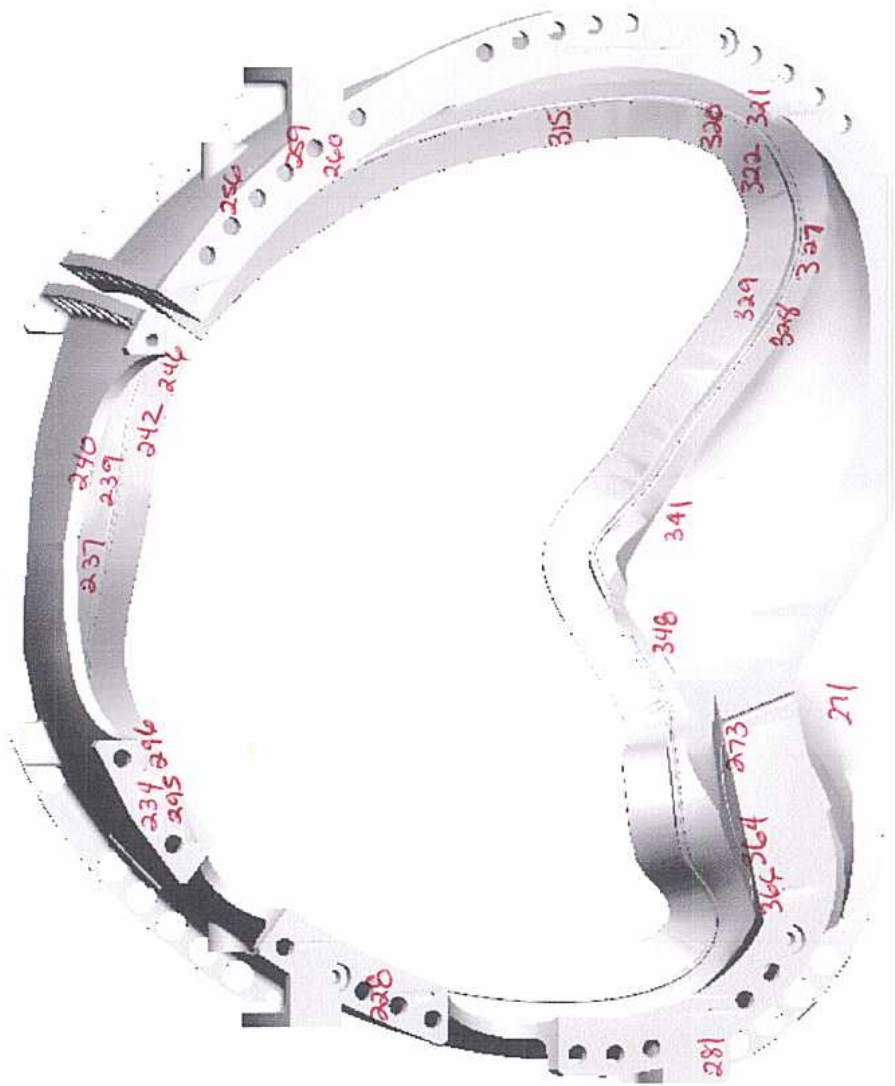
Defect Number	Drawing View	Length Inches	Width Inches	Depth Inches	Over 20% wall Over 1 inch Over 10 ² inches Yes/No
1	Front	48	1 1/2	1/2	Yes
5	Front	7	5 1/4	1	Yes
9	Front	3 3/4	2	1 1/8	Yes
10	Front	5 1/2	4 1/2	1 3/4	Yes
11	Front	2 1/2	2	1	Yes
23	Front	7	2 1/2	1/2	Yes
24	Front	11	2 1/2	1 1/2	Yes
32	Front	4	2 1/4	1	Yes
42	Front	5	2 1/2	2 1/4	Yes
46	Front	28 1/2	6	Through	Yes
51	Front	9	3	1/4	Yes
55	Front	10	1 1/2	1	Yes
56	Front	6	2 1/4	2	Yes
63	Front	10	8 1/2	3/4	Yes
64	Front	7	3	1/4	Yes
69	Front	5 1/4	5	1/2	Yes
72	Front	9	6 1/2	1	Yes
88	Front	13	1 1/2	2 1/2	Yes
93	Front	11	1 1/2	1 1/2	Yes
95	Front	8	4	1	Yes
102	Front	3 1/2	3 1/4	1 1/8	Yes
103	Front	13	3	1	Yes
105	Front	8	3	2	Yes
111	Front	9	4	1	Yes
116	Front Top	2 1/2	2	7/8	Yes
117	Top	1 1/4	1	3/4	Yes
118	Top	2	1 1/2	3/4	Yes
119	Top	2 1/2	2 1/2	1	Yes
123	Top	9 3/4	4 1/2	2	Yes
128	Top	4 1/4	4	1/4	Yes
131	Top	5	3	1	Yes
135	Top	9 1/2	2	1/4	Yes
140	Right	5 1/2	5	1	Yes
144	Right	6	3	1/4	Yes
145	Right	33	3 1/2	1 3/4	Yes
146	Right	16 3/4	1 1/4	1/4	Yes
147	Right	9	6	1/4	Yes
152	Right	5	3 3/4	Through	Yes
154	Right	8	4	Through	Yes

A-1 COIL WELD MAP

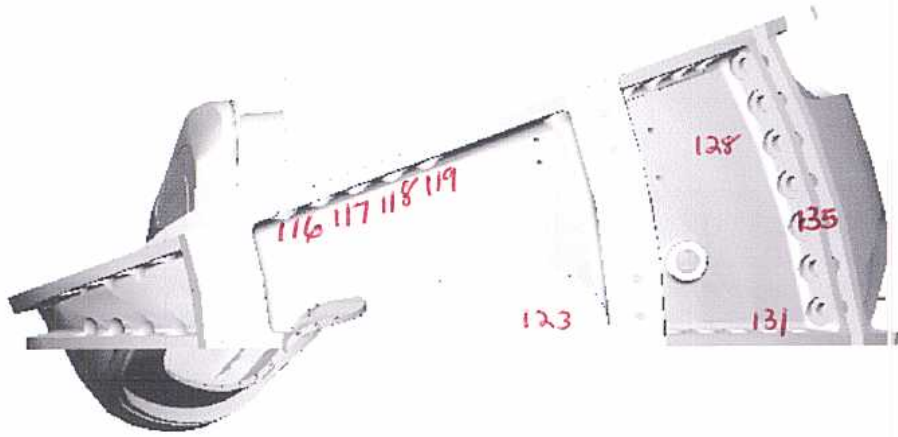
Defect Number	Drawing View	Length Inches	Width Inches	Depth Inches	Over 20% wall Over 1 inch Over 10 ² inches Yes/No
155	Right	8 1/2	7	1/4	Yes
157	Right	6 3/4	4	1/4	Yes
158	Right	7 1/2	3 1/4	1/4	Yes
162	Right	7	2	1/2	Yes
166	Right	4 3/4	2	1	Yes
168	Right	9	4 1/2	1/4	Yes
170	Right	5 3/4	2	3/4	Yes
171	Right	10	3	Through	Yes
172	Right	7 1/2	3	1/2	Yes
173	Right	9	3 1/2	1/2	Yes
176	Right	5 1/2	3	Through	Yes
177	Right	9 1/2	1 3/4	5/16	Yes
181	Right	4	3 1/2	1/4	Yes
183	Right	10	2	1/2	Yes
191	Right	3 3/4	3 1/2	2	Yes
197	Right	4	3 1/2	3/4	Yes
198	Right	5	2 3/4	Through	Yes
204	Right	16	2 1/2	5/16	Yes
205	Bottom	7 1/2	6 1/2	Through	Yes
206	Bottom	3 1/2	1 3/4	1	Yes
207	Bottom	8	2 1/2	3/16	Yes
212	Bottom	9	4	1/4	Yes
214	Bottom	8 3/4	5	3/4	Yes
216	Bottom	7	2	1	Yes
220	Left	6 3/4	4	Through	Yes
222	Left	4 1/2	2	1	Yes
228	Back	13	8	Through	Yes
234	Back	1 3/4	1 3/4	1 1/4	Yes
237	Back	5	2 1/4	3/4	Yes
239	Back	5 1/2	5	3/4	Yes
240	Back	6 1/2	2 3/4	1	Yes
242	Back	9	3 1/2	Through	Yes
246	Back	5 3/4	4 1/2	3/4	Yes
256	Back	3	2 3/4	7/8	Yes
259	Back	6	2 1/2	1	Yes
260	Back	6	2	3/4	Yes
271	Back	4	2 1/2	1	Yes
273	Back	6 1/2	4 1/2	Through	Yes
281	Back	3 1/2	2	1	Yes



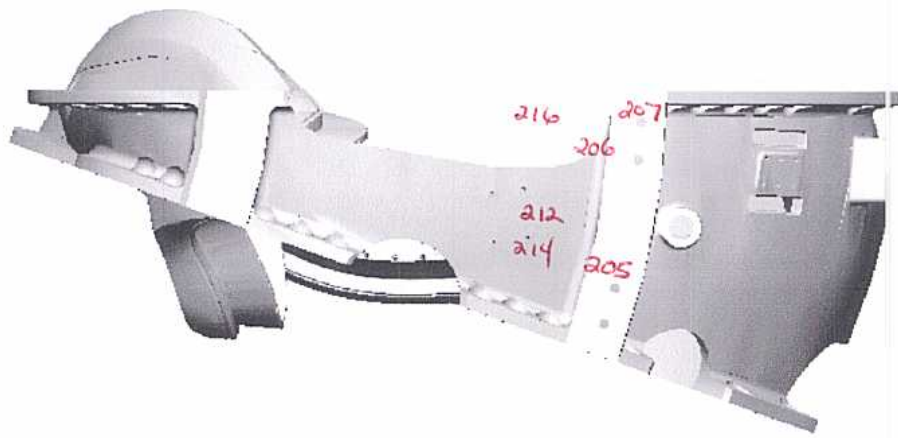
Front



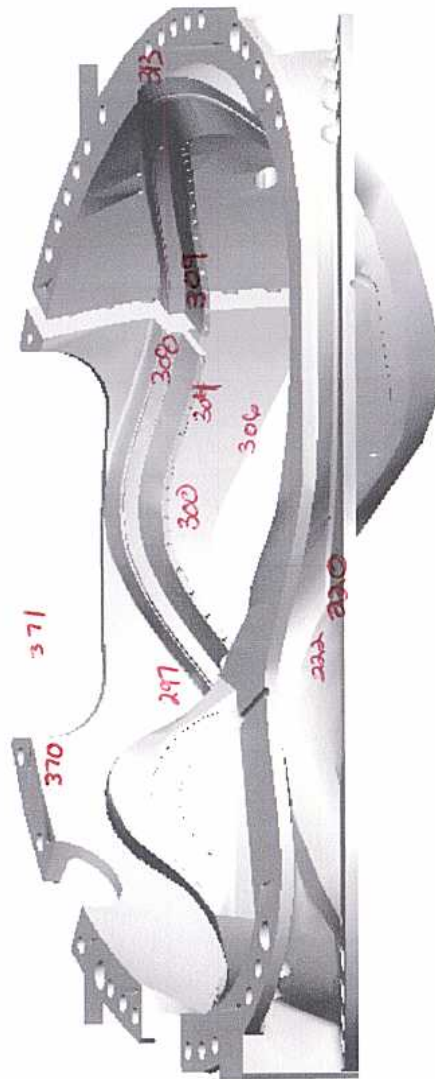
Back



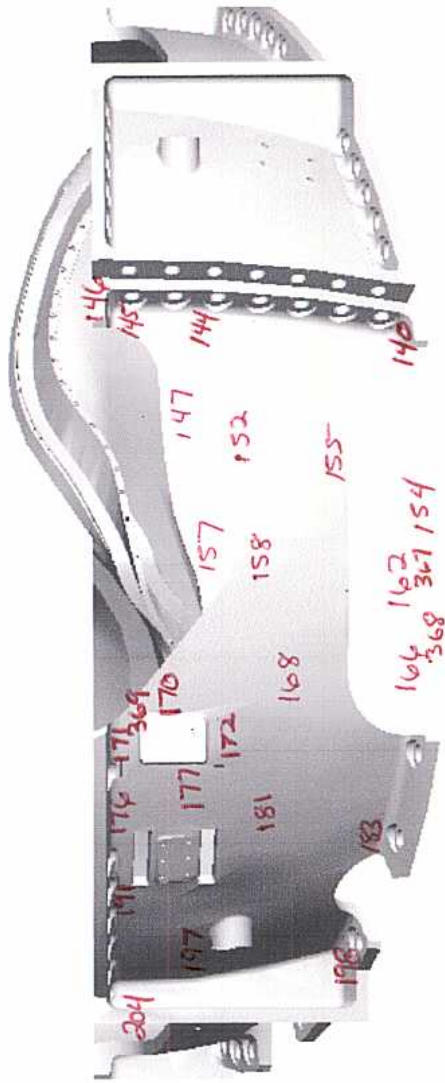
Top



Bottom



Left



Right