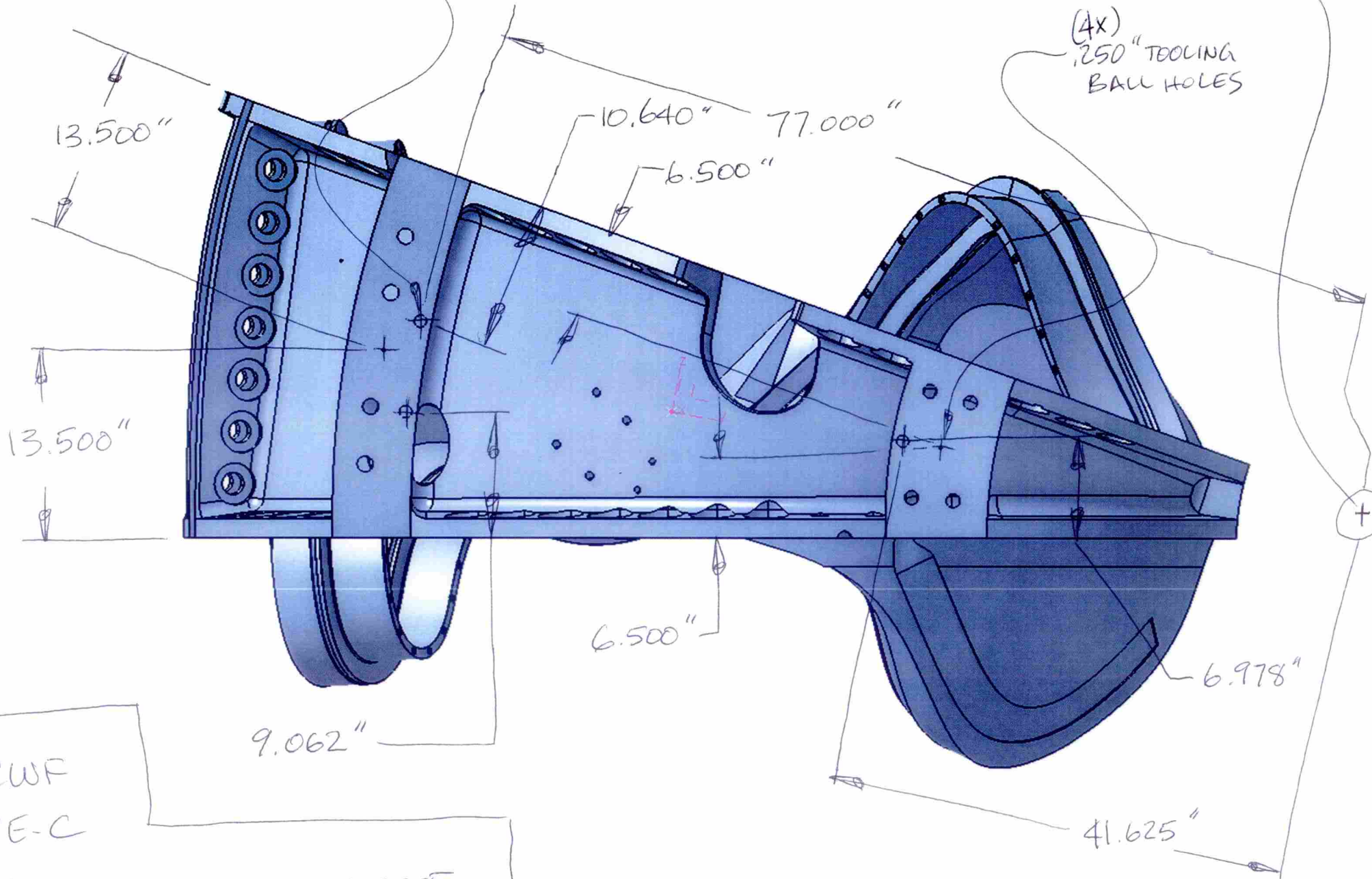


(6x) 1"-8 UNC
LIFTING HOLES

CAD
MODEL
ORIGIN

(4x)
.250" TOOLING
BALL HOLES



MCWF
TYPE-C

K. Bawlinsh 16-MAR-2005