

C-3 COIL WELD MAP

CR

20

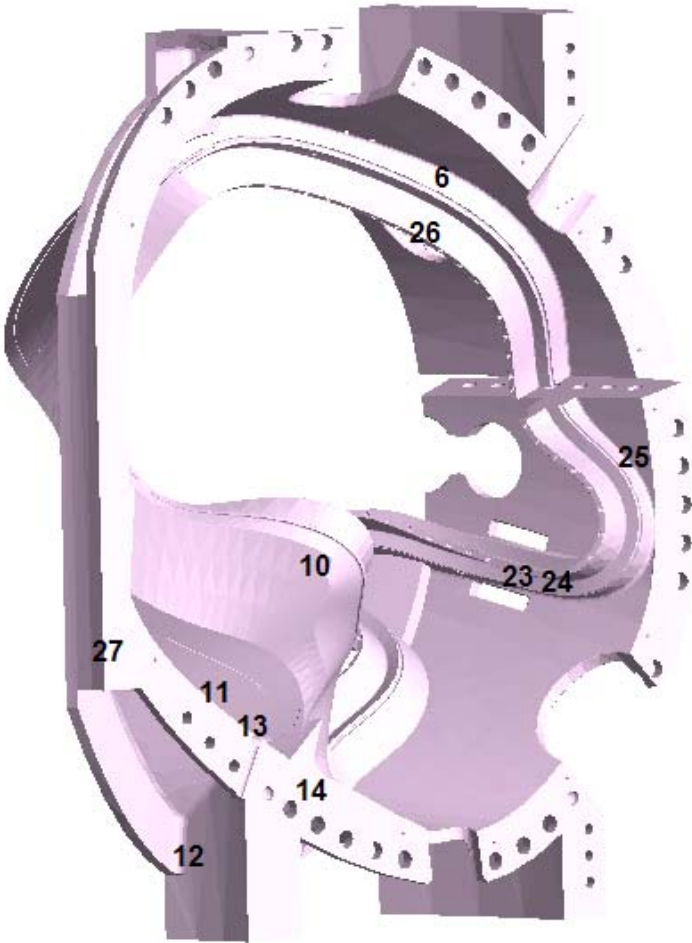
7/29/05

Defect Number	Drawing View	Length Inches	Width Inches	Depth Inches	Over 10% wall Over 1 inch Over 10 ² inches Yes/No	Weld Permeability Result
1	RIGHT	19	1 1/8	1/2	YES	
2	RIGHT	7	4 1/2	1/2	YES	
3	RIGHT	15 1/2	3 1/2	3	YES	
4	RIGHT	19 1/2	6 1/2	3/4	YES	
5	RIGHT	5	2 1/2	1 1/2	YES	
6	FRONT	9	5	1	YES	
7	RIGHT	4 1/2	4	1	YES	
8	BACK	30	12	1	YES	
9	BACK	6 1/2	5	3/4	YES	
10	FRONT	7 3/4	3	1/4	YES	
11	FRONT	6	4	3/4	YES	
12	FRONT	4 3/4	2 3/4	1 1/2	YES	
13	FRONT	9 1/2	6	THRU	YES	
14	FRONT	26	7	3/4	YES	
15	RIGHT	13	4 1/2	3/4	YES	
16	RIGHT	13	7	THRU	YES	
17	RIGHT	7	4 1/2	3	YES	
18	RIGHT	9	5	3/4	YES	
19	RIGHT	12	6	2	YES	
20	RIGHT	6	3	THRU	YES	
21	RIGHT	6 1/2	5 3/4	3/4	YES	
22	RIGHT	8	2	3	YES	
23	FRONT	6	2 1/2	1	YES	
24	FRONT	9	2	3/4	YES	
25	FRONT	8	2	3/4	YES	
26	FRONT	12	2	3/4	YES	
27	FRONT	5	4 1/2	1/4	YES	
28	BOTTOM	4	3	1 1/8	YES	
29	BOTTOM	7	2	THRU	YES	
30	BOTTOM	8	2 1/2	3/4	YES	
31	BOTTOM	10 1/2	4	3/4	YES	
32	BOTTOM	6 1/2	3 1/2	2	YES	
33	BACK	8	2	2	YES	
34	BACK	4	2 1/2	THRU	YES	
35	BACK	12	4	THRU	YES	
36	BACK	9	2	3/4	YES	
37	BACK	8	5	3/4	YES	
38	BACK	4	4	1/4	YES	
39	BACK	18	1 1/2	1/4	YES	

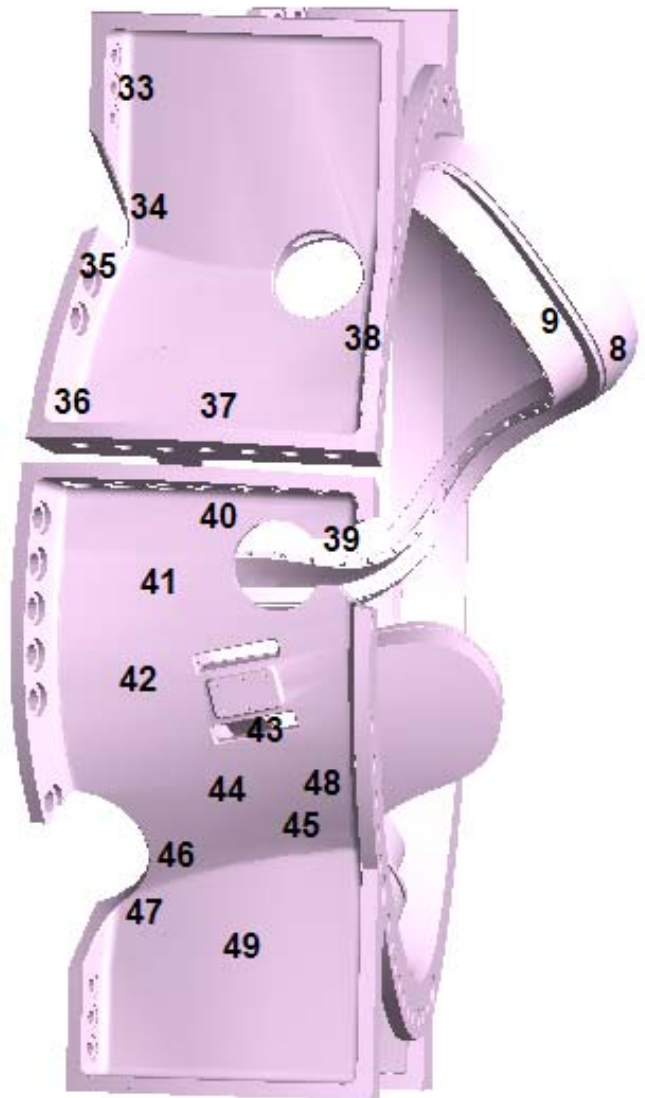
C-3 COIL WELD MAP

Defect Number	Drawing View	Length Inches	Width Inches	Depth Inches	20 Over 10% wall		Weld Permeability Result
					Over 1 inch	Over 10 ² inches	
					Yes/No		
40	BACK	6	7 1/2	1/4	YES		
41	BACK	6	1	THRU	YES		
42	BACK	13	4 1/2	3/4	YES		
43	BACK	7	5	1	YES		
44	BACK	11 1/2	3 1/4	3/4	YES		
45	BACK	13	4	THRU	YES		
46	BACK	8 1/2	8 1/8	THRU	YES		
47	BACK	6	2 1/2	1 1/2	YES		
48	BACK	6	3	3/4	YES		
49	BACK	8 1/2	2	3/4	YES		
50	TOP	15	3	THRU	YES		
51	TOP	7	2	2	YES		
52	TOP	7	2	1	YES		
53	TOP	3	2	3	YES		
54	TOP	4	4	3	YES		
55	LEFT	14	10	3	YES		
56	LEFT	4	4	2 3/4	YES		
57	LEFT	6	13/4	1	YES		
58	LEFT	14	2	1/2	YES		
59	LEFT	2	2	1 1/2	YES		
60	LEFT	6 1/2	3 3/4	1	YES		
61	LEFT	29	9	1	YES		
62	LEFT	26	10	1 1/2	YES		
63	LEFT	19	6	3/4	YES		
64	LEFT	18	11	3/4	YES		
65	LEFT	10	6	3/4	YES		
66	LEFT	4 1/2	2 1/2	2 3/4	YES		
67	LEFT	16	4	3 1/2	YES		
68	LEFT	12	4 1/4	4	YES		
69	LEFT	3 3/4	2	1 1/4	YES		
70	LEFT	19 1/2	8	4	YES		

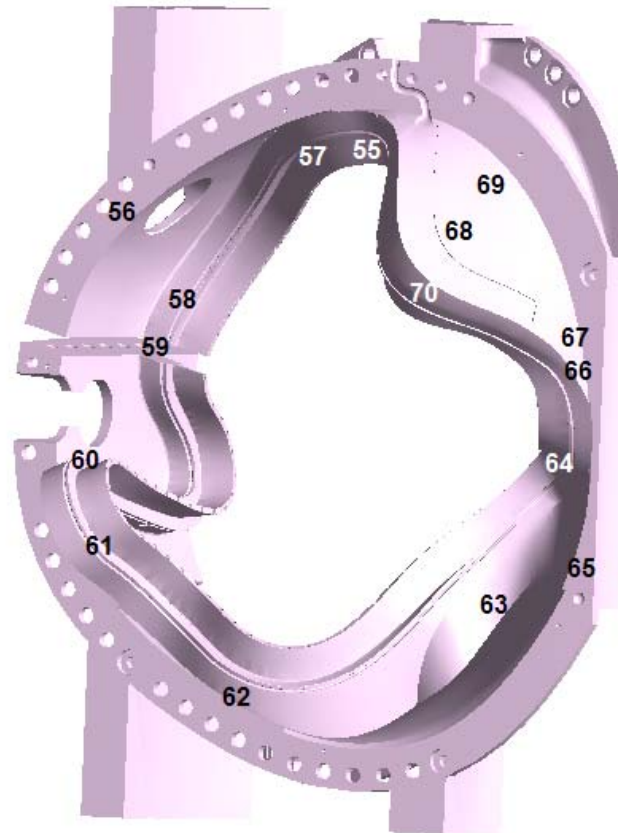
Front View
Page 3



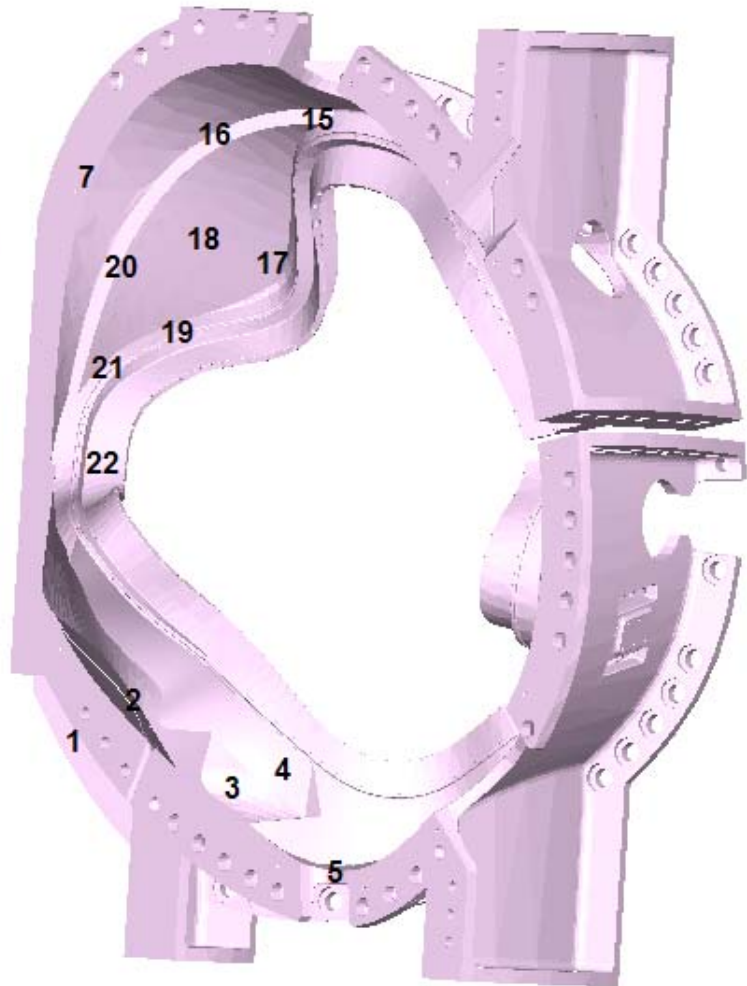
Back View
Page 4



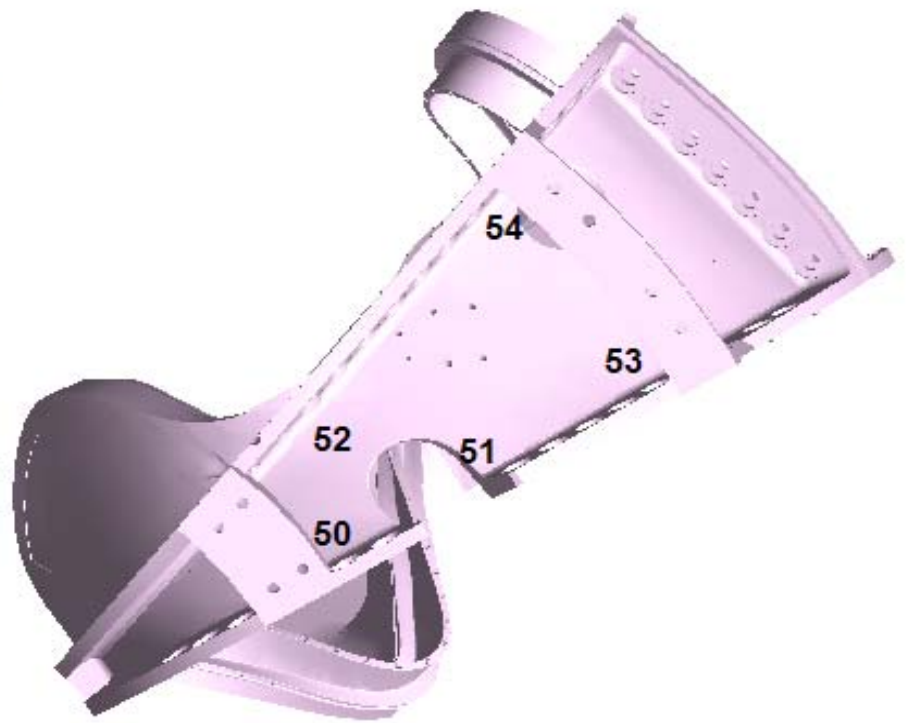
Left View
Page 5



Right View
Page 6



Top View
Page 7



Bottom View
Page 8

