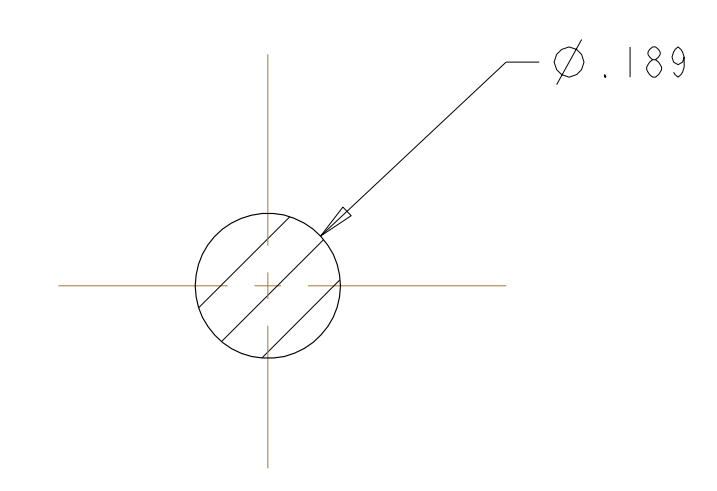
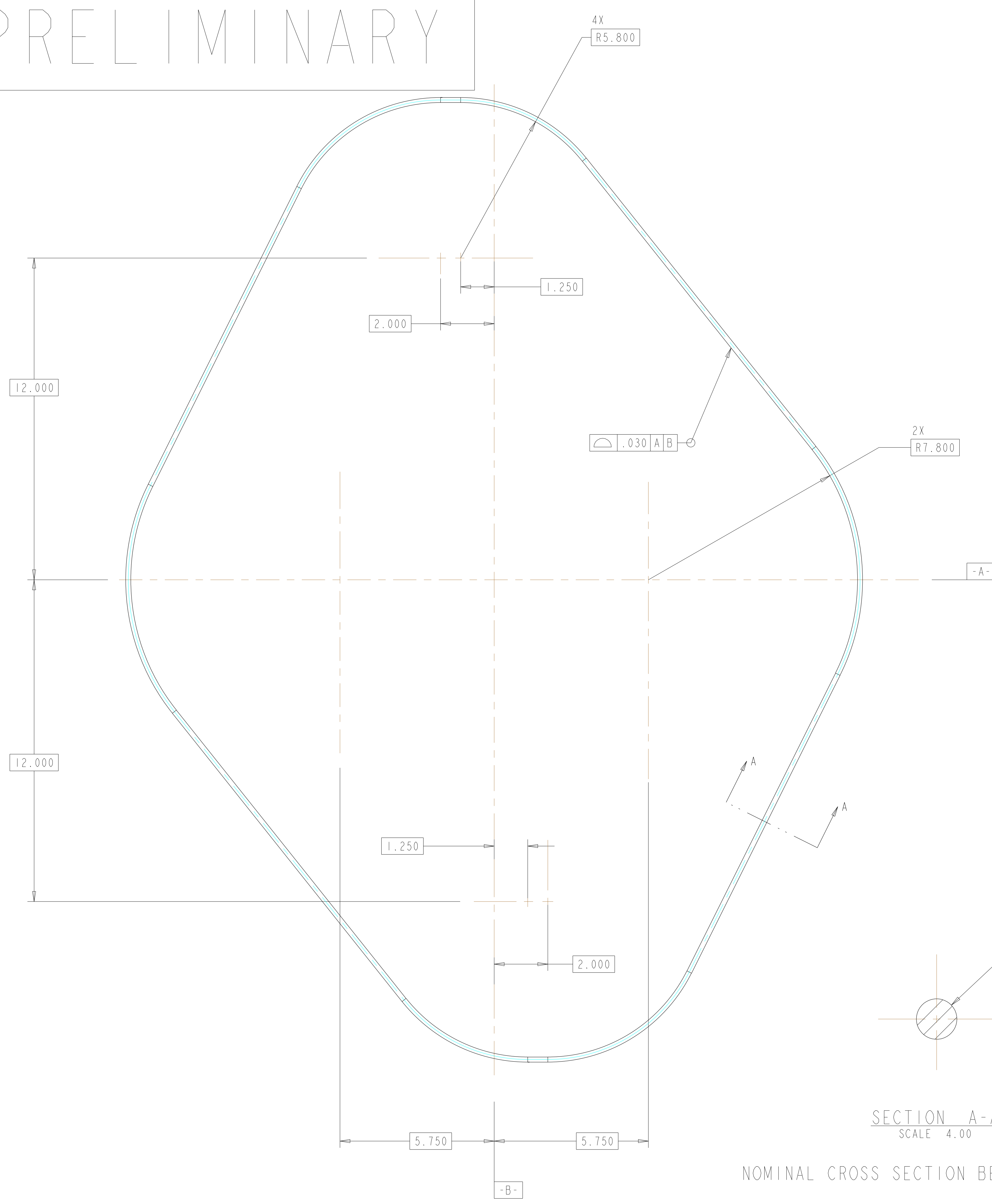


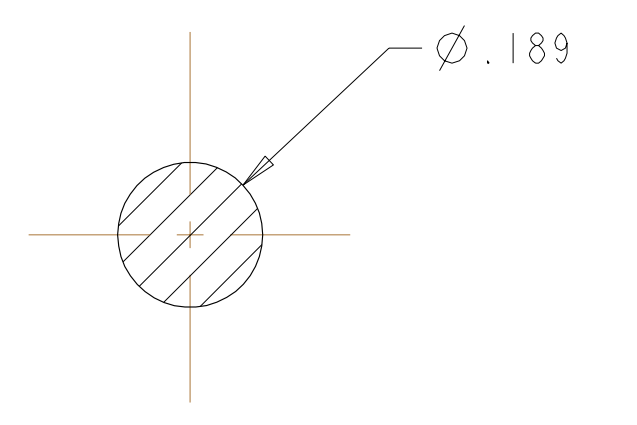
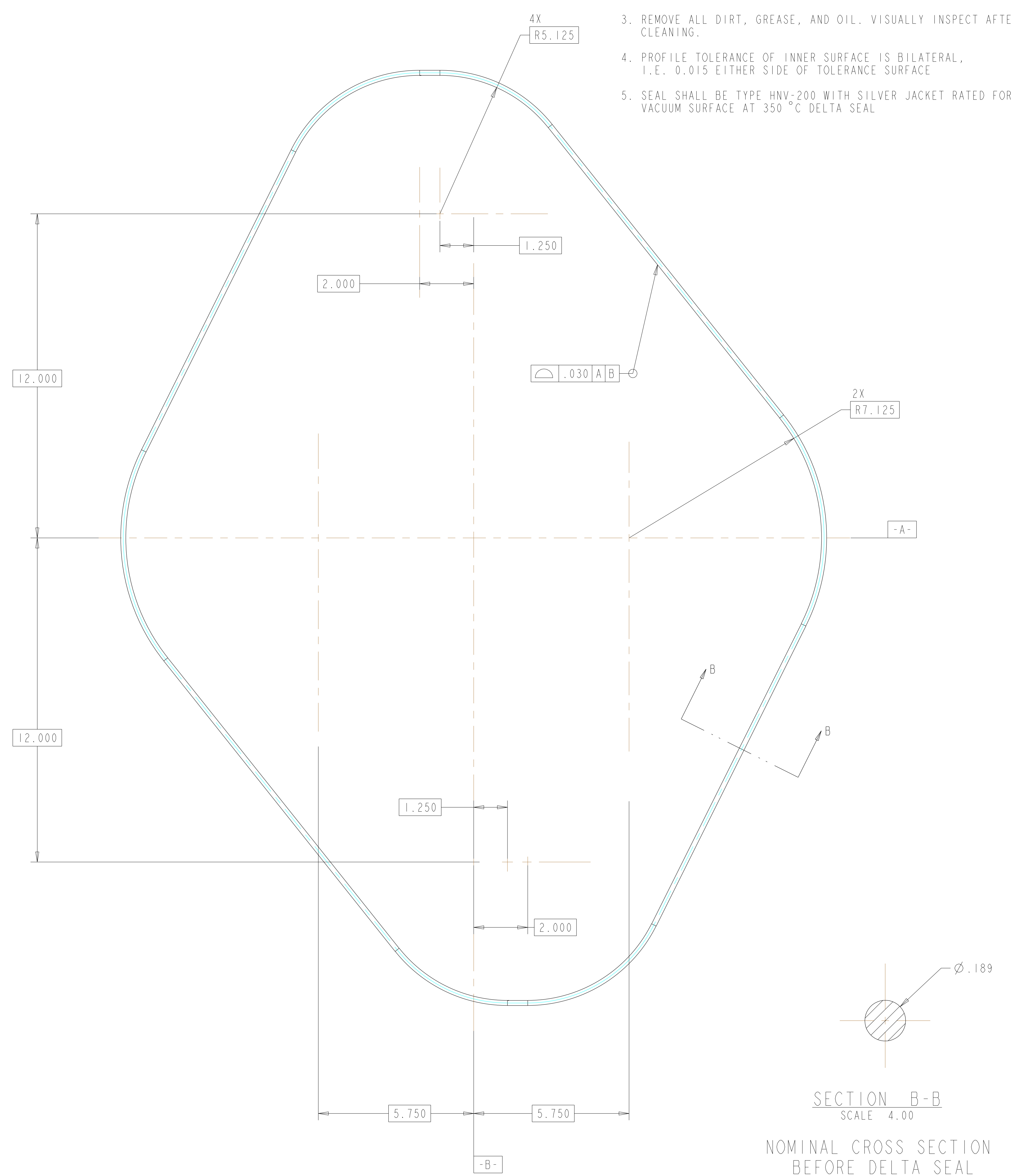
PRELIMINARY



SECTION A-A
SCALE 4.00

NOMINAL CROSS SECTION BEFORE DELTA SEAL

1
SCALE .50



SECTION B-B
SCALE 4.00

NOMINAL CROSS SECTION BEFORE DELTA SEAL

2
SCALE .50

- NOTES:
1. INTERPRET DIMENSIONS AND TOLERANCES PER ANSI Y14.5M
 2. DIMENSIONS ARE IN INCHES
 3. REMOVE ALL DIRT, GREASE, AND OIL. VISUALLY INSPECT AFTER CLEANING.
 4. PROFILE TOLERANCE OF INNER SURFACE IS BILATERAL, I.E. 0.015 EITHER SIDE OF TOLERANCE SURFACE
 5. SEAL SHALL BE TYPE HNV-200 WITH SILVER JACKET RATED FOR VACUUM SURFACE AT 350 °C DELTA SEAL

PRELIMINARY

CAGE CODE	PART OR IDENTIFYING NO	NOMENCLATURE OR DESCRIPTION	MATERIAL	SPECIFICATION	FIND NO
AR	HNV-200	HELICOFLEX METAL DELTA SEAL			-2
AR	HNV-200	HELICOFLEX METAL DELTA SEAL			-1
SE120-002					

HELICOFLEX
2770 THE BOULEVARD
COLUMBIA, SC 29209
PHONE: 803-783-1880

← NEXT ASSEMBLY

PARTS LIST

NO REPRESENTATION OR WARRANTY, EXPRESSED OR IMPLIED, IS MADE AS TO THE ACCURACY, COMPLETENESS OR USEFULNESS OF THE INFORMATION OR STATEMENTS CONTAINED IN THESE DRAWINGS, OR THAT THE USE OR DISCLOSURE OF ANY INFORMATION, APPARATUS, METHOD OR PROCESS DISCLOSED IN THESE DRAWINGS MAY NOT INFRINGE PRIVATE RIGHTS OF OTHERS. NO LIABILITY IS ASSUMED WITH RESPECT TO THE USE OF, OR FOR DAMAGES RESULTING FROM THE USE OF, ANY INFORMATION, APPARATUS, METHOD OR PROCESS DISCLOSED IN THESE DRAWINGS. DRAWINGS MADE AVAILABLE FOR INFORMATION TO BIDDER ARE NOT TO BE USED FOR OTHER PURPOSES, AND ARE TO BE RETURNED UPON REQUEST OF THE FORWARDING CONTRACTOR.

P THIS DRAWING PRODUCED ON PRO-ENGINEER

REV	DESCRIPTION	BY	DATE	CHK	DEPT	DATE	PE	REQ	DATE	ORNL	DOE	DATE

SCALE NOTED	DES. P. L. GORANSON	2/3/05
TOLERANCES UNLESS OTHERWISE SPECIFIED	DRW. M. J. COLE	2/3/05
FRACTIONS	CHK. G. H. JONES	2/3/05
XX DECIMALS ±.01	SECT :	
XXX DECIMALS ±.005	DEPT :	
ANGLES ±0'15"	PE :	
BREAK SHARP EDGES .06 MAX	CR :	
FINISH .125 UNLESS OTHERWISE SPECIFIED	PJ :	
	RD :	
	PPPL DRFT J SIEGEL	

UT-BATTELLE		Oak Ridge National Laboratory managed for the DEPARTMENT OF ENERGY under U.S. GOVERNMENT CONTRACT DE-AC05-00OR22725 UT-BATTELLE, LLC, Oak Ridge, Tennessee	
PROJECT NAME NATIONAL COMPACT STELLARATOR EXPERIMENT			
VACUUM VESSEL ASSEMBLY NEUTRAL BEAM HELICOFLEX SEALS DETAIL			
VERSION NO.	PLANT	BLDG	FL SHT OF
proi_version	X-10	5700	3 1 1 S
RELEASE LEVEL	TYPE CLASS		
WIP	U		
DRAWING APPROVALS	DATE	SE122-174	REV 0