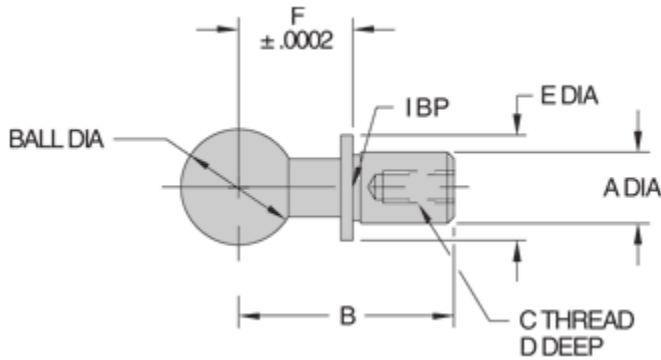
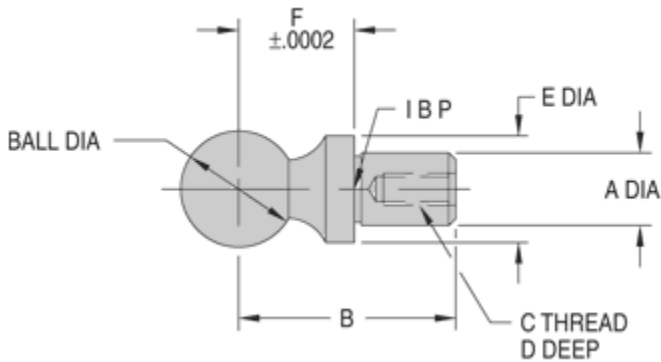


CONSTRUCTION BALLS



Style 1 – One-Piece Construction



Style 2 – Two-Piece Welded Construction

SHOULDER TYPE (USA)

PART NO.	BALL DIA		A DIA		B	C	D	E DIA	F	STYLE		
	NOMINAL	ACTUAL	NOMINAL	ACTUAL								
CL-0-SCB	1/4	.2502/.2498	1/8	.1250/.1246	.56	—	—	.25	.2000	1		
CL-00-SCB	3/8	.3752/.3748	3/16	.1875/.1871	.75	—	—	.37	.3000			
CL-1-SCB	1/2	.5000/.4997	1/4	.2500/.2497	.63	#6-32	1/4	.46	.3125	2		
CL-10-SCB		.5002/.4998		.2500/.2496	.94	—	—		.4000	1		
CL-2-SCB		.5000/.4997		5/16	.3125/.3122	.2500/.2497	1.50		—	—	.5000	2
CL-3-SCB						.94	#6-32		5/16			
CL-4-SCB	1.50		—			—						
CL-5-SCB	.94		#6-32			5/16						
CL-6-SCB	3/4	.7500/.7498	3/8	.3750/.3747	1.50	—	—	.56	.5000	1		
CL-7-SCB			3/8	.3750/.3746	1.25	—	—	.75	.5000			

SHOULDER TYPE (METRIC)

PART NO.	BALL DIA		A DIA		B	C	D	E DIA	F	STYLE
	NOMINAL	ACTUAL	NOMINAL	ACTUAL						
CLM-0-SCB	6mm	.2364/.2360	3mm	.1181/.1177	.47	—	—	.24	.2362 (6mm)	1
CLM-00-SCB	12mm	.4726/.4722	6mm	.2362/.2358	.87	—	—	.47	.4724 (12mm)	
CLM-1-SCB					.98	M3.5	.24			