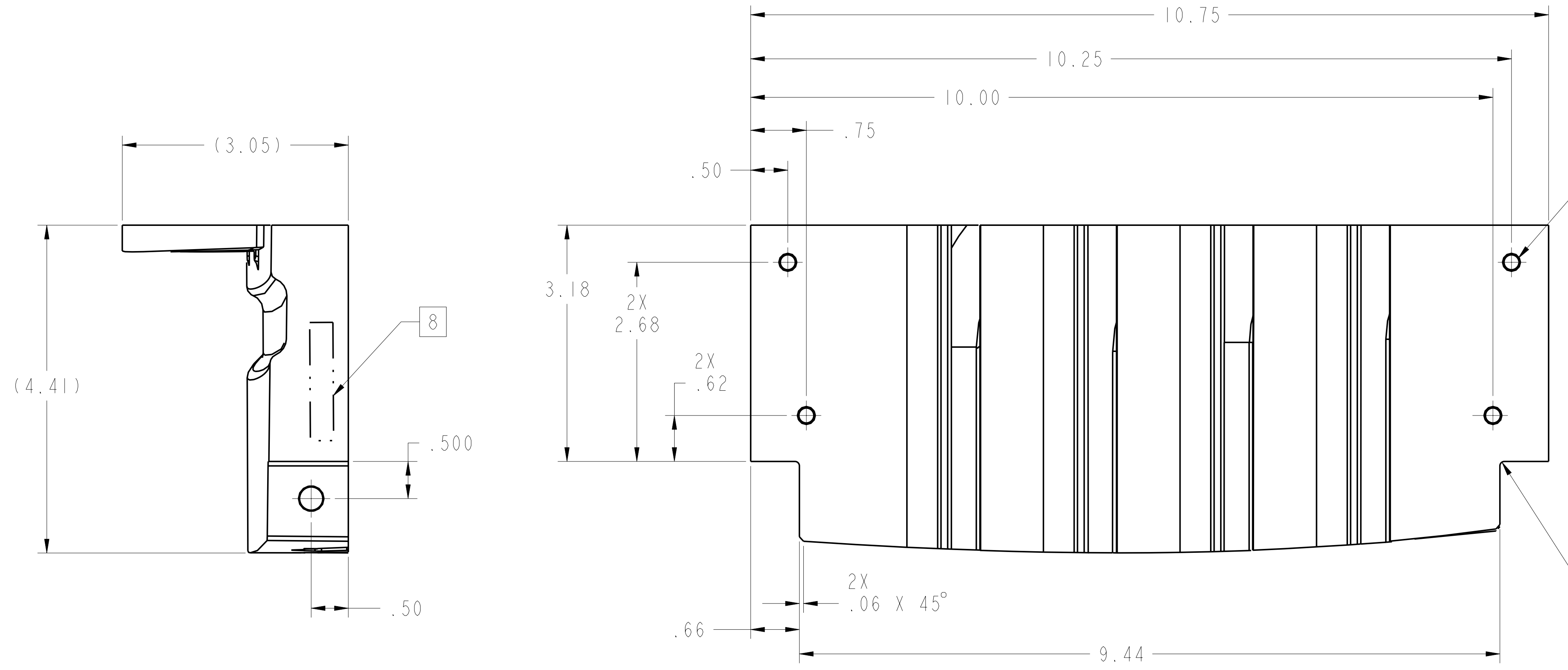


DETAIL A
SCALE 2.00

SEE DETAIL A



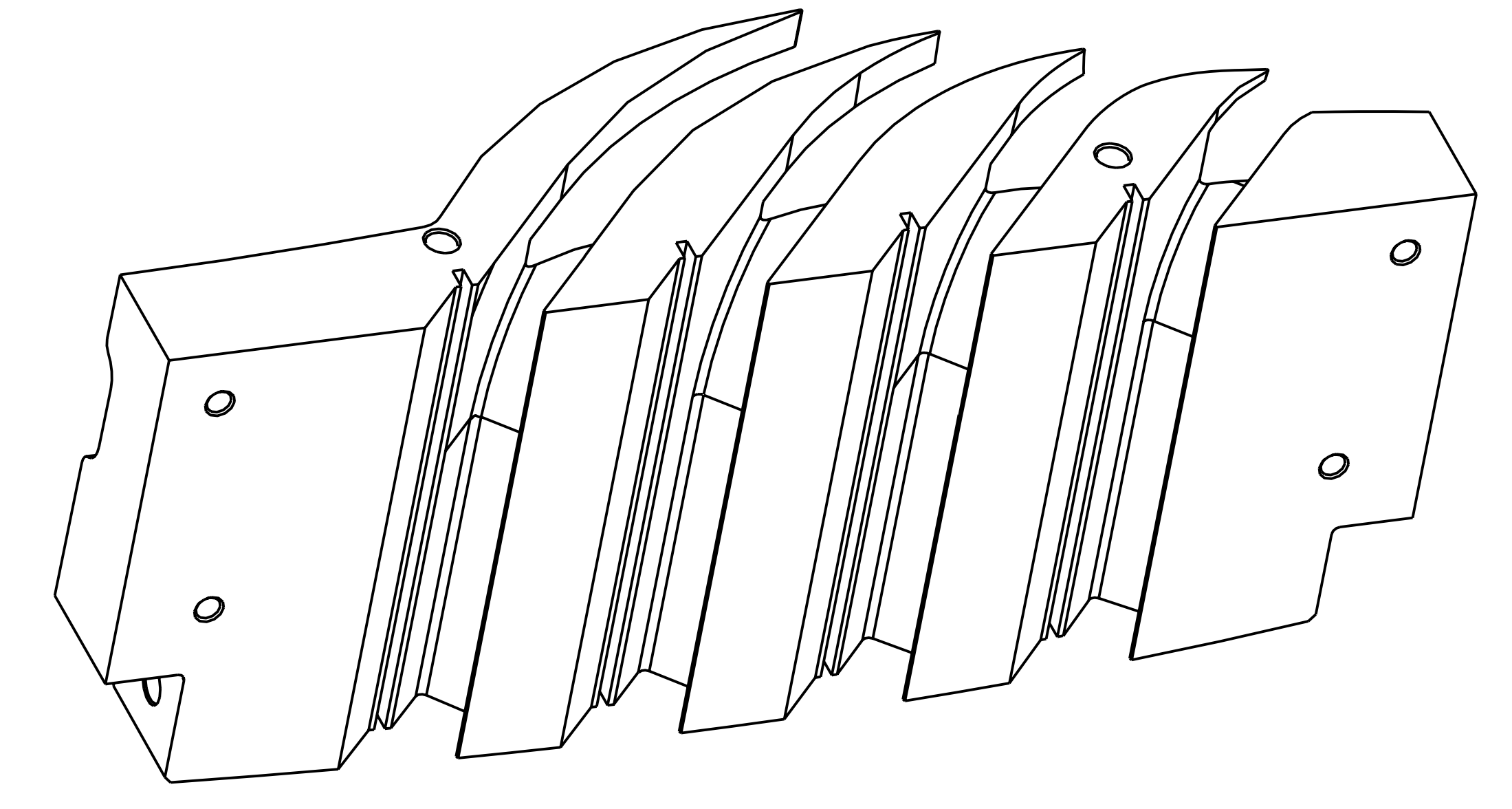
1

SCALE 1.00
WEIGHT = 3.5 LBS

**RELEASED FOR
FABRICATION / INSTALLATION**
PPPL Drafting:

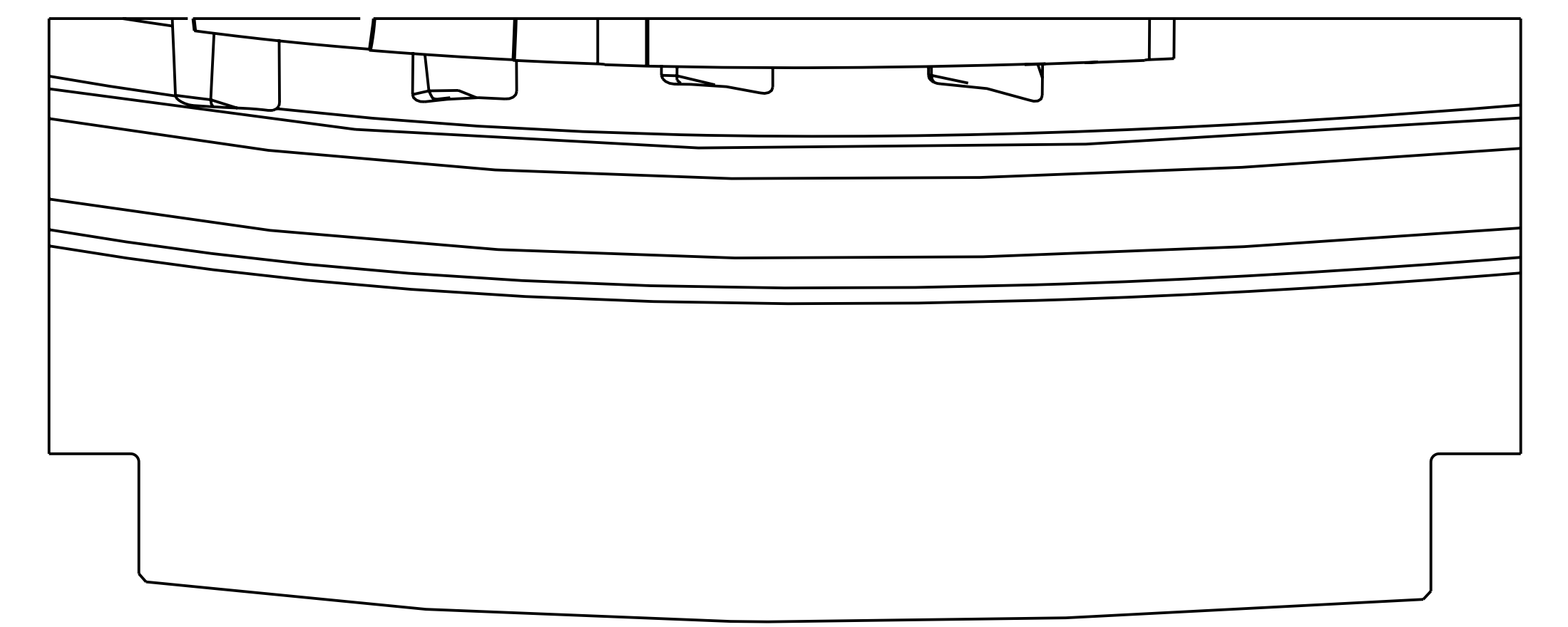
NOTES:

1. DRAWING PREPARED IN ACCORDANCE WITH ASME Y14.100-2000.
2. INTERPRET DIMENSIONS AND TOLERANCES PER ANSI Y14.5M
3. DIMENSIONS ARE IN INCHES
4. DIMENSIONS APPLY AT ROOM TEMPERATURE. OPERATING TEMP 80 K.
5. GEOMETRY IS DEFINED IN PRO ENGINEER CAD MODELS/FILES SE142B-136.PRT
6. DRAWING AND MODELS COMBINED DEFINE FINISHED MACHINED PART.
7. IN THE EVENT OF A DISCREPANCY BETWEEN THE CAD MODEL AND DRAWING, THE CAD MODEL SHALL TAKE PRECEDENCE.
8. MARK DRAWING NUMBER AND REVISION WITH 1/4 INCH HIGH LETTERS IN THE AREA SHOWN.



ISOMETRIC VIEW

SCALE 1.00



AR	X	CAGE CODE	PART OR IDENTIFYING NO	NOMENCLATURE OR DESCRIPTION	MATERIAL	SPECIFICATION	FIND NO
SE142B-136	-			SIDE "A" UPPER LEAD BLOCK	NEMA GRADE G1ICR		
				NEXT ASSEMBLY			

PARTS LIST

NO REPRESENTATION OR WARRANTY, EXPRESSED OR IMPLIED, IS MADE AS TO THE ACCURACY, COMPLETENESS OR USEFULNESS OF THE INFORMATION OR STATEMENTS CONTAINED IN THESE DRAWINGS, OR THAT THE USE OR DISCLOSURE OF ANY INFORMATION, APPARATUS, METHOD OR PROCESS DISCLOSED IN THESE DRAWINGS MAY NOT INFRINGE PRIVATE RIGHTS OF OTHERS. NO LIABILITY IS ASSUMED WITH RESPECT TO THE USE OF, OR FOR DAMAGES RESULTING FROM THE USE OF, ANY INFORMATION, APPARATUS, METHOD OR PROCESS DISCLOSED IN THESE DRAWINGS. DRAWINGS MADE AVAILABLE FOR PURPOSES, AND ARE TO BE RETURNED UPON REQUEST OF THE FORWARDING CONTRACTOR.

P THIS DRAWING PRODUCED ON PRO-ENGINEER

SCALE NOTED		DES P FOGARTY 05/06	Oak Ridge National Laboratory managed for the DEPARTMENT OF ENERGY under U.S. GOVERNMENT contract DE-AC05-00OR22725 UT-BATTELLE, LLC. Oak Ridge, Tennessee									
TOLERANCES UNLESS OTHERWISE SPECIFIED		DRW G LOVETT 05/06	UT-BATTELLE									
FRACTIONS ±.01		CHK M COLE 05/06	PROJECT NAME									
XX DECIMALS ±.005		PE D WILLIAMSON 05/06	NATIONAL COMPACT STELLARATOR EXPERIMENT									
XXX DECIMALS ±.0015		CR :	MODULAR COIL TYPE-B									
ANGLES ±0°15'		PJ :	SIDE-A UPPER LEAD BLOCK									
BREAK SHARP EDGES OR MAX FINISH ±.025 UNLESS OTHERWISE SPECIFIED		REO :	DETAIL									
REV	DESCRIPTION	BY	DATE	CHK	DEPT	DATE	PE	REQ	DATE	ORNL	DOE	DATE
	REVISION OR ISSUE PURPOSE											

PPPL DRFT J SIEGEL 05/06	VERSION NO. 12	PLANT X-10	BLDG 5700	FL 3	SHT 1	OF 1	TYPE S	CLASS U
DRAWING APPROVALS	RELEASE LEVEL Fabrication	SE142B-136		REV 0				