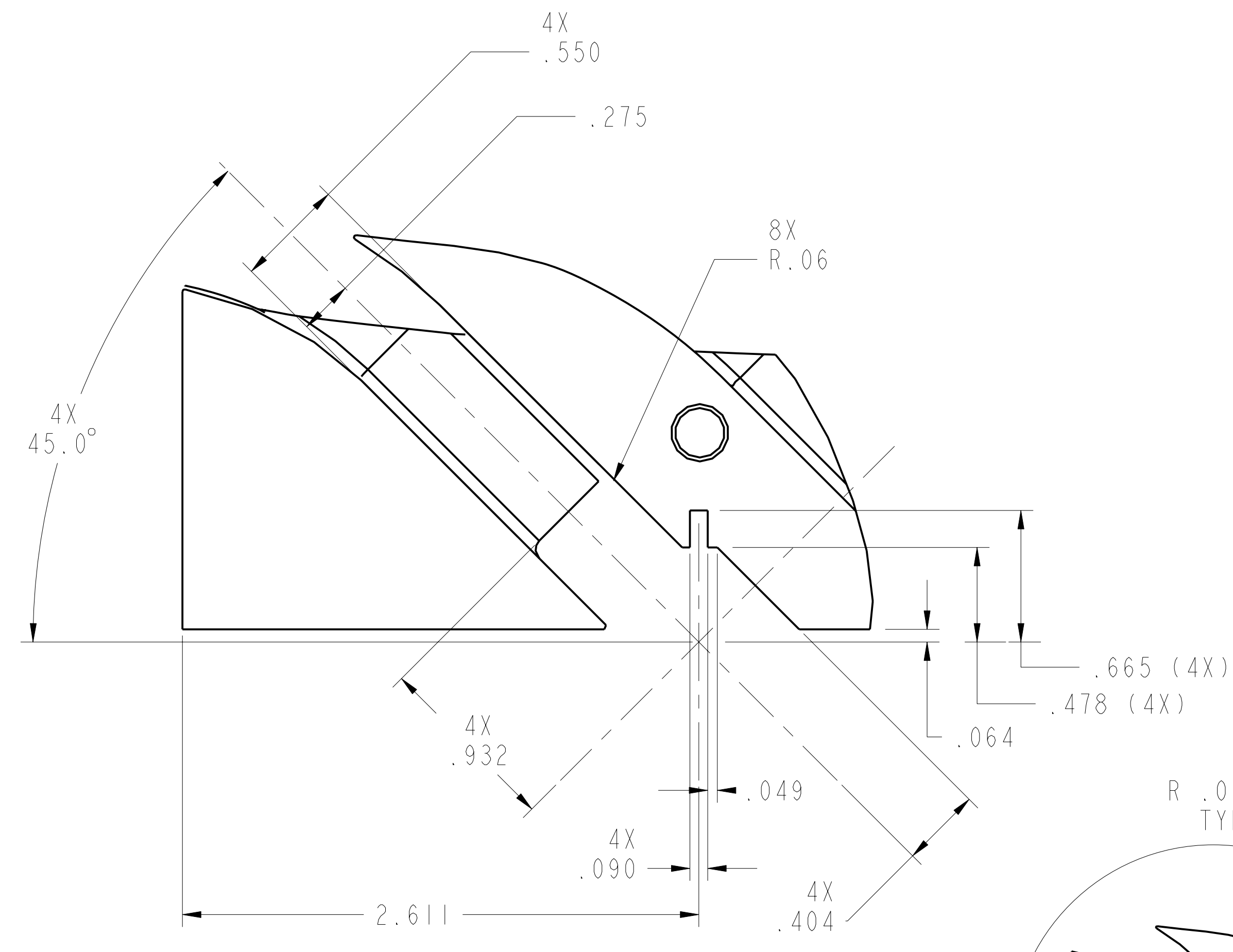
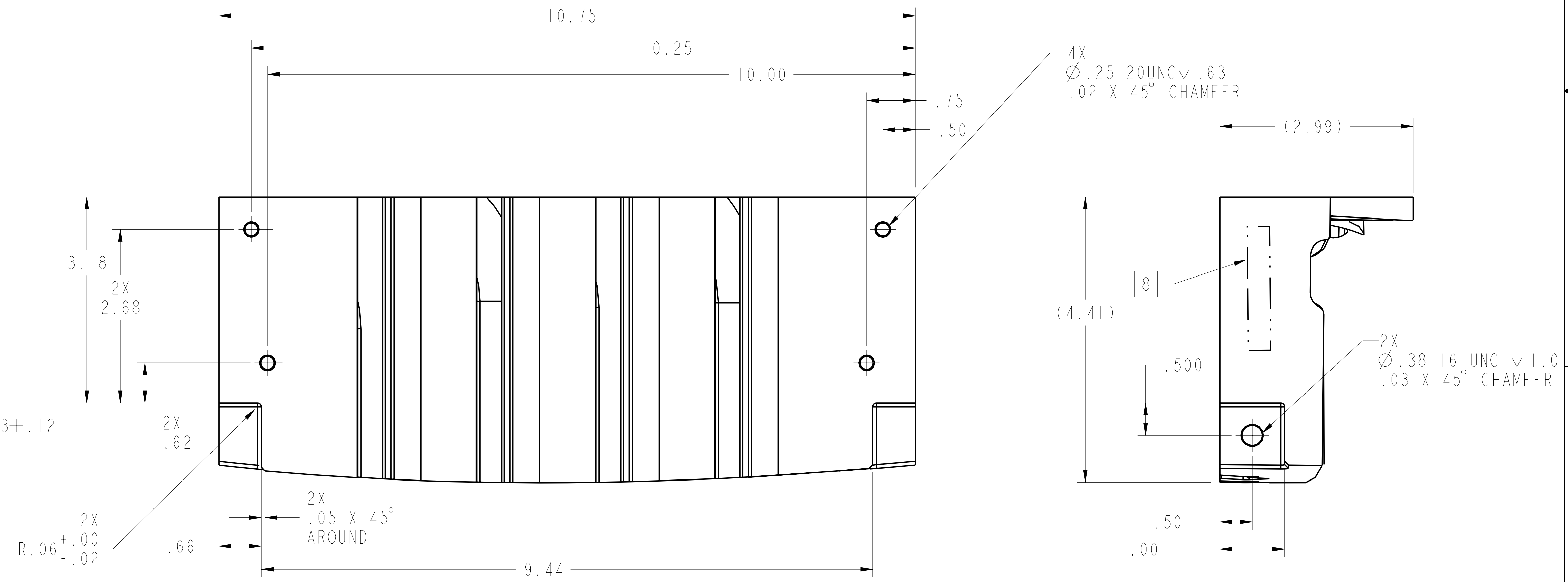
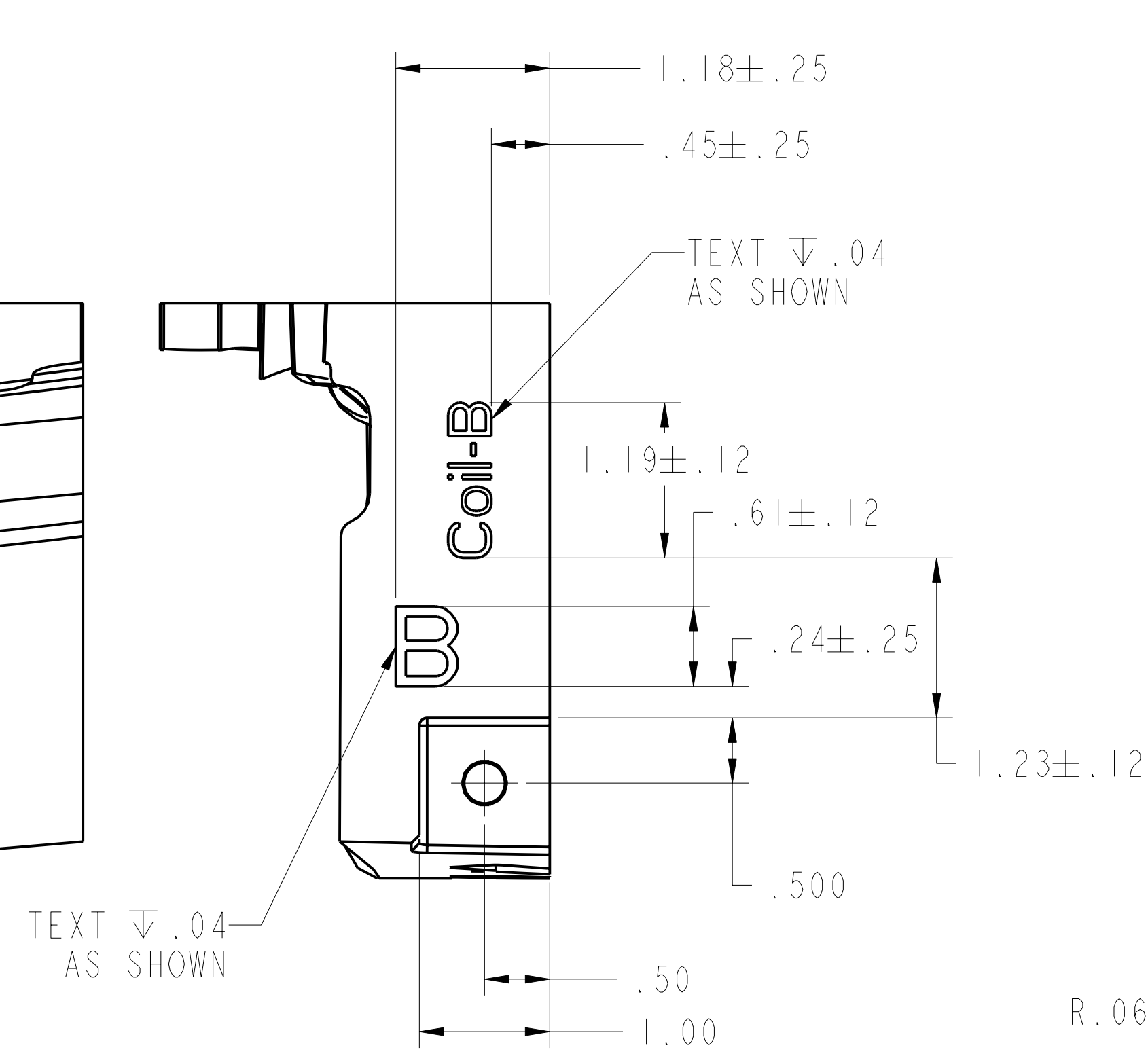
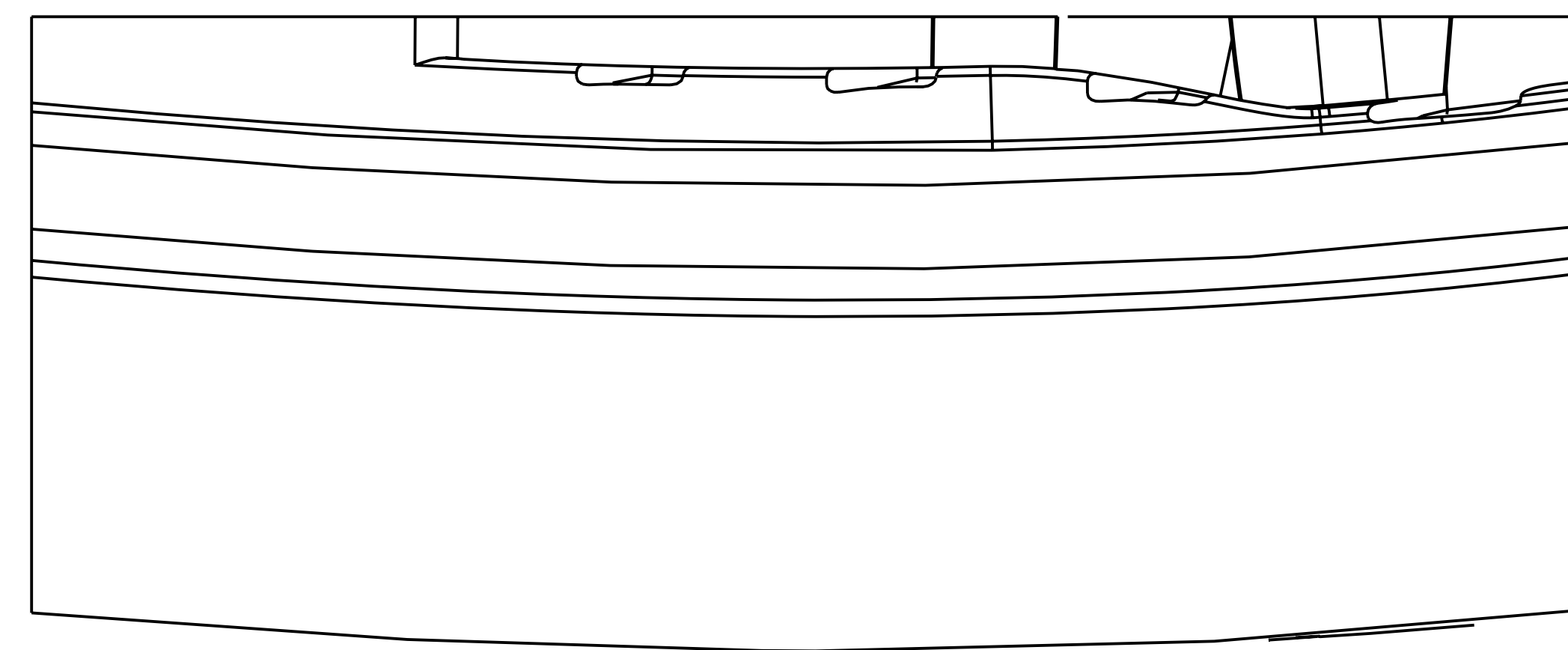
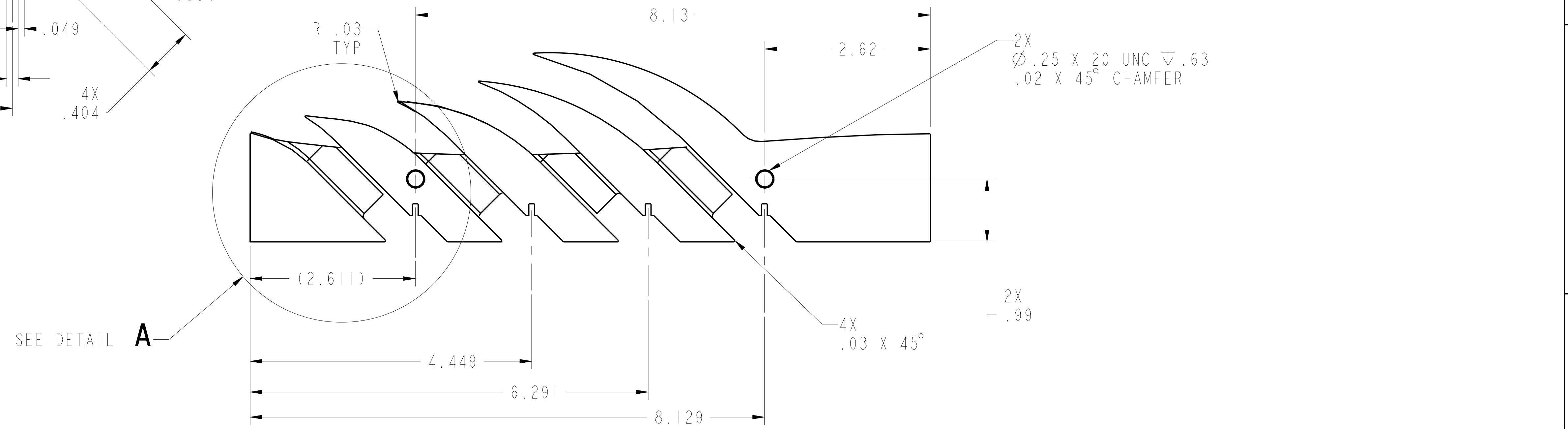


ISOMETRIC VIEW

SCALE 1.00



DETAIL A
 SCALE 2.00



SCALE 1.00
 WEIGHT = 4.4 LBS

- NOTES:
- DRAWING PREPARED IN ACCORDANCE WITH ASME Y14.100-2000.
 - INTERPRET DIMENSIONS AND TOLERANCES PER ANSI Y14.5M
 - DIMENSIONS ARE IN INCHES
 - DIMENSIONS APPLY AT ROOM TEMPERATURE. OPERATING TEMP 80 K.
 - GEOMETRY IS DEFINED IN PRO ENGINEER CAD MODELS/FILES SEI42B-137.PRT
 - DRAWING AND MODELS COMBINED DEFINE FINISHED MACHINED PART.
 - IN THE EVENT OF A DISCREPANCY BETWEEN THE CAD MODEL AND DRAWING, THE CAD MODEL SHALL TAKE PRECEDENCE.

8. MARK DRAWING NUMBER AND REVISION WITH 1/4 INCH HIGH LETTERS IN THE AREA SHOWN.

AR	X	CAGE CODE	PART OR IDENTIFYING NO	NOMENCLATURE OR DESCRIPTION	MATERIAL	SPECIFICATION	FIND NO
SEI42B-137	-			SIDE "B" UPPER LEAD BLOCK	NEMA GRADE G11CR		
				PARTS LIST			

RELEASED FOR FABRICATION / INSTALLATION
 PPPL Drafting:

NO REPRESENTATION OR WARRANTY, EXPRESSED OR IMPLIED, IS MADE AS TO THE ACCURACY, COMPLETENESS OR USEFULNESS OF THE INFORMATION OR STATEMENTS CONTAINED IN THESE DRAWINGS, OR THAT THE USE OR DISCLOSURE OF ANY INFORMATION, APPARATUS, METHOD OR PROCESS DISCLOSED IN THESE DRAWINGS MAY NOT INFRINGE PRIVATE RIGHTS OF OTHERS. NO LIABILITY IS ASSUMED WITH RESPECT TO THE USE OF, OR FOR DAMAGES RESULTING FROM THE USE OF, ANY INFORMATION, APPARATUS, METHOD OR PROCESS DISCLOSED IN THESE DRAWINGS. DRAWINGS MADE AVAILABLE FOR INFORMATION TO BIDDER ARE NOT TO BE USED FOR OTHER PURPOSES, AND ARE TO BE RETURNED UPON REQUEST OF THE FORWARDING CONTRACTOR.

P THIS DRAWING PRODUCED ON PRO-ENGINEER

REV	DESCRIPTION	BY	DATE	CHK	DEPT	DATE	PE	REQ	DATE	ORNL	DOE	DATE

DES	P FOGARTY	05/06	Oak Ridge National Laboratory managed for the DEPARTMENT OF ENERGY under U.S. GOVERNMENT contract DE-AC05-00OR22725 UT-BATTELLE, LLC, Oak Ridge, Tennessee PROJECT NAME:							
DRW	G LOVETT	05/06								
CHK	M COLE	05/06								
SECT	:	:	NATIONAL COMPACT STELLARATOR EXPERIMENT MODULAR COIL TYPE-B SIDE-B UPPER LEAD BLOCK DETAIL							
DEPT	:	:								
PE	D WILLIAMSON	05/06								
CR	:	:								
PJ	:	:								
REQ	:	:								
FINISH	:	:								
PPPL DRFT	J SIEGEL	05/06	VERSION NO.	PLANT	BLDG	FL	SHT	OF	TYPE	CLASS
			8	X-10	5700	3	1	1	S	U
			RELEASE LEVEL							
			Fabrication	SEI42B-137						
			REV	0						