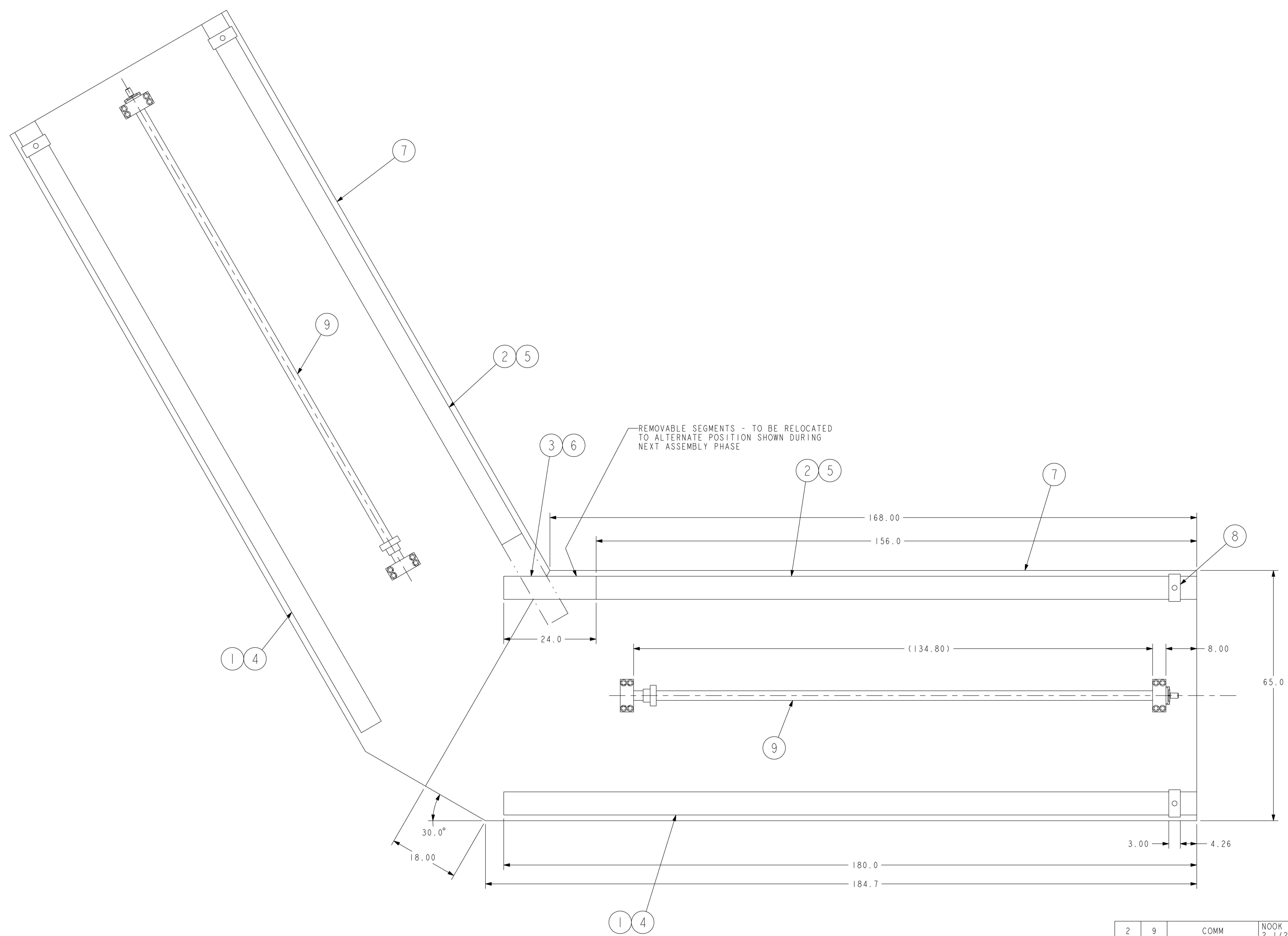


NO.	REVISION	BY	CH	SUP	APPROVED	DATE

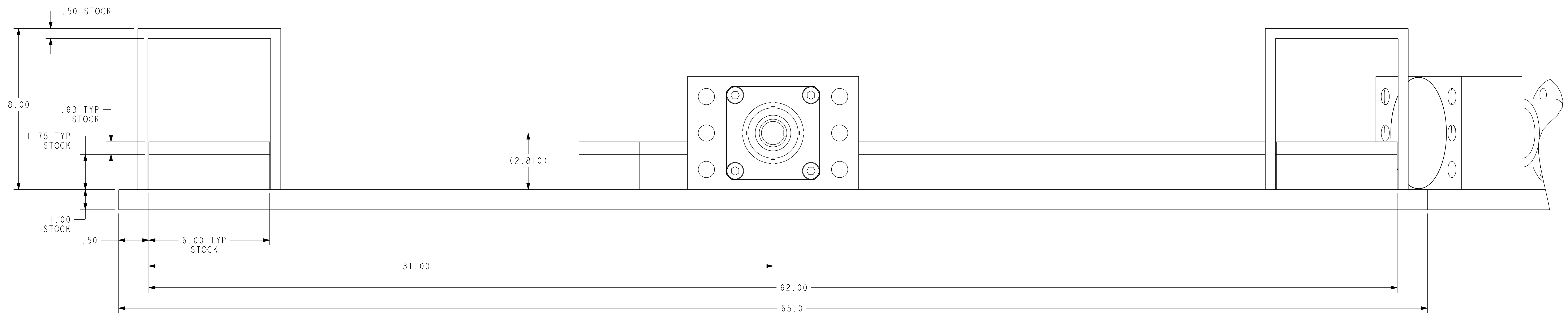


QTY	PART NO.	DESCRIPTION	UNIT
2	9	COMM	NOOK ACME NUT AND SCREW ASSEMBLY 2 1/2"-4 x 144" TRAVEL
4	8	SE185-088	LOWER RAIL STOP
2	7	SE185-061	BASE PLATE
1	6	SE185-045-11	SLIDER RAIL (HARDENED) - 24" LG
2	5	SE185-045-10	SLIDER RAIL (HARDENED) - 156" LG
2	4	SE185-045-9	SLIDER RAIL (HARDENED) - 180" LG
1	3	SE185-045-7	SUPPORT RAIL - 24" LG
2	2	SE185-045-5	SUPPORT RAIL - 156" LG
2	1	SE185-045-1	SUPPORT RAIL - 180" LG
1	---	THIS DWG	LOWER TRACK ASSEMBLY

COMPUTER GENERATED DRAWING MANUAL CHANGES NOT PERMITTED	CENTRAL FILES: UNLESS OTHERWISE SPECIFIED	PRINCETON PLASMA PHYSICS LABORATORY NATIONAL COMPACT STELLARATOR EXPERIMENT	
DO NOT VERIFY INFORMATION BY SCALING DRAWING	DIMENSIONS ARE IN INCHES MACHINE SURFACES UNLESS OTHERWISE SPECIFIED	FIELD PERIOD ASSEMBLY FIELD PERIOD ASSEMBLY FIXTURE LOWER TRACK ASSEMBLY	
SCALE 0.100	TOLERANCES NON-CUMULATIVE	DSN: L. MORRIS	DRAWING NO:
NEXT ASSEMBLY	DECIMAL-INCH FRACTIONS	CHK: ENGR: T. BROWN	<b>SE185-003</b>
WEIGHT 10058.5 lbs	MODEL NAME SE185-003	WELDING ENGINEER	SHEET 1 OF 2
RELEASE LEVEL: WIP	DWG VERSION NO:		REV 0

NCSX-SE185-003

NO.	REVISION	BY	CH	SUP	APPROVED	DATE



TYPICAL END VIEW

FOR NOTES AND BILL OF MATERIAL SEE SHEET 1

RELEASE LEVEL: WIP  
 DWG VERSION NO: 3

WEIGHT  
 10058.5 lbs  
 MODEL NAME  
 SE185-003

COMPUTER GENERATED DRAWING MANUAL CHANGES NOT PERMITTED Pro E	CENTRAL FILES: UNLESS OTHERWISE SPECIFIED	PRINCETON PLASMA PHYSICS LABORATORY PRINCETON UNIVERSITY <b>NATIONAL COMPACT STELLARATOR EXPERIMENT</b>	
DO NOT VERIFY INFORMATION BY SCALING DRAWING	DIMENSIONS ARE IN INCHES MACHINE SURFACES BREAK SHARP EDGES .005/ .020	FIELD PERIOD ASSEMBLY FIELD PERIOD ASSEMBLY FIXTURE LOWER TRACK ASSEMBLY	
SCALE 0.500	TOLERANCES NON-CUMULATIVE	DSN: L. MORRIS	DRAWING NO:
NEXT ASSEMBLY	DECIMAL-INCH FRACTIONS .X +/- .000 0°-12° +/- .010 .XX +/- .030 12°-72° +/- .100 .XXX +/- .005 72°-120° +/- .120 ANGULAR +/- .0°-15° OVER 120° +/- .120	CHK: ENGR: T. BROWN	<b>SE185-003</b>
WELDING ENGINEER	SUPV:	SHEET 2 OF 2	REV 0

NCSX-SE185-003