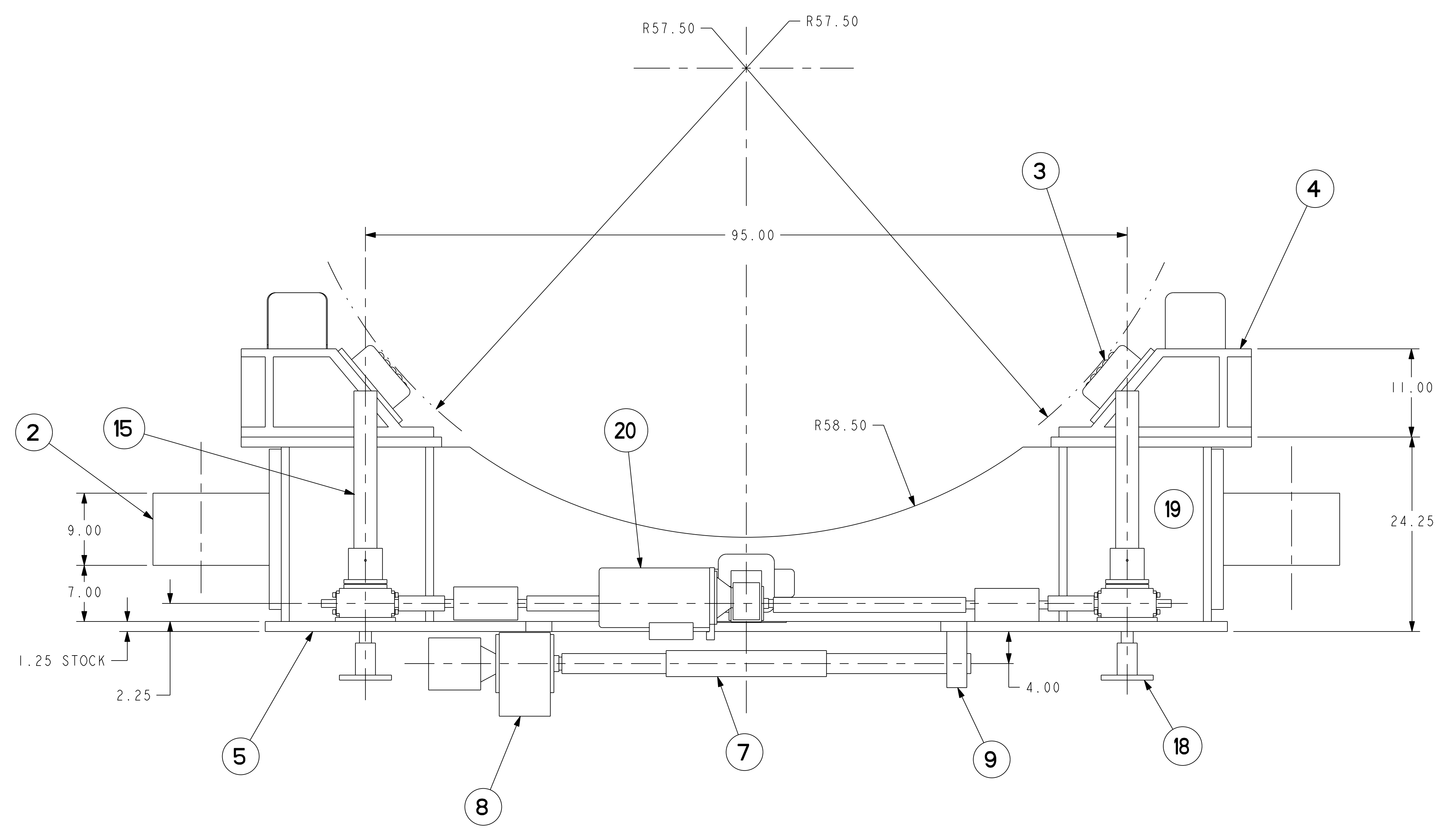
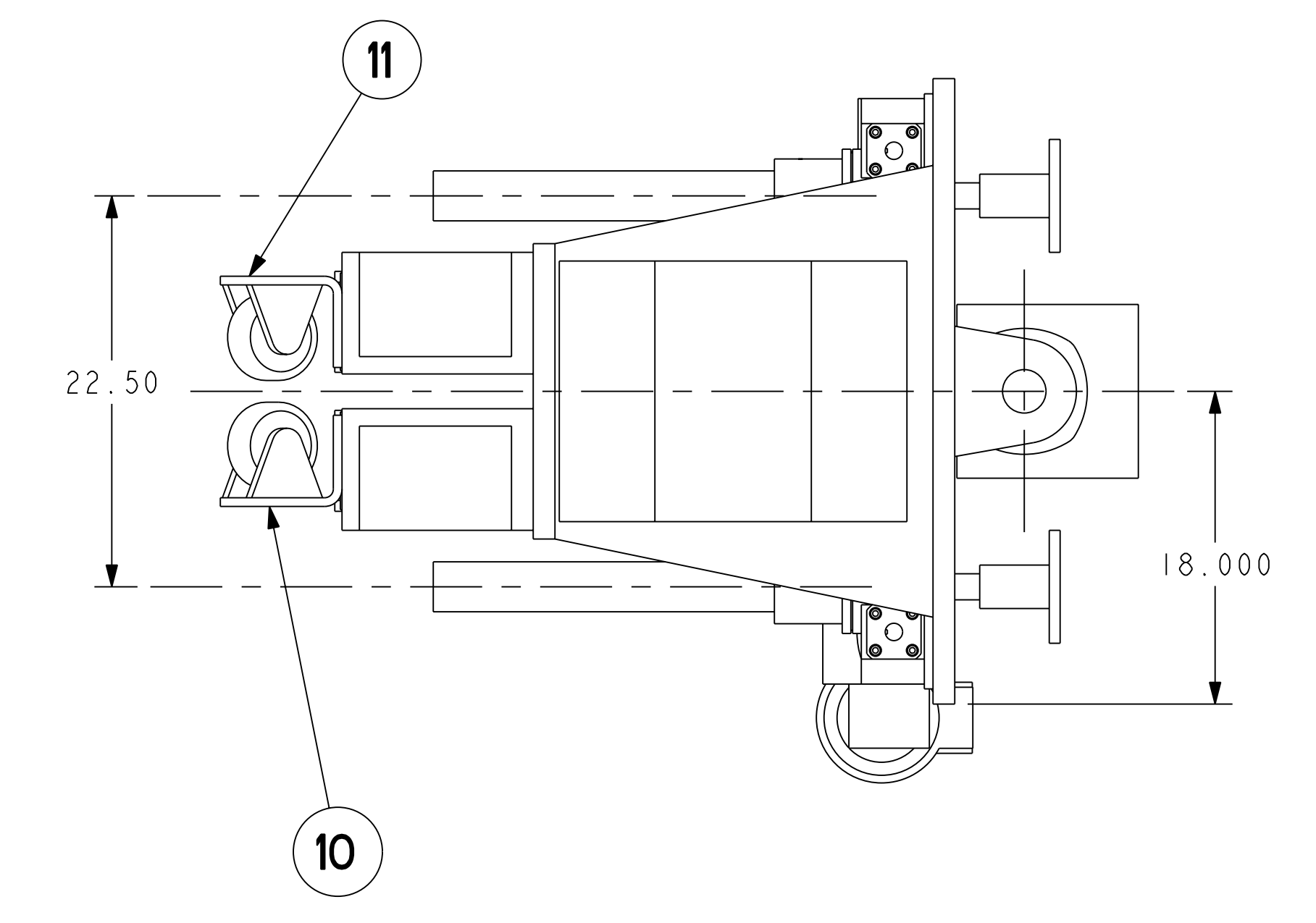
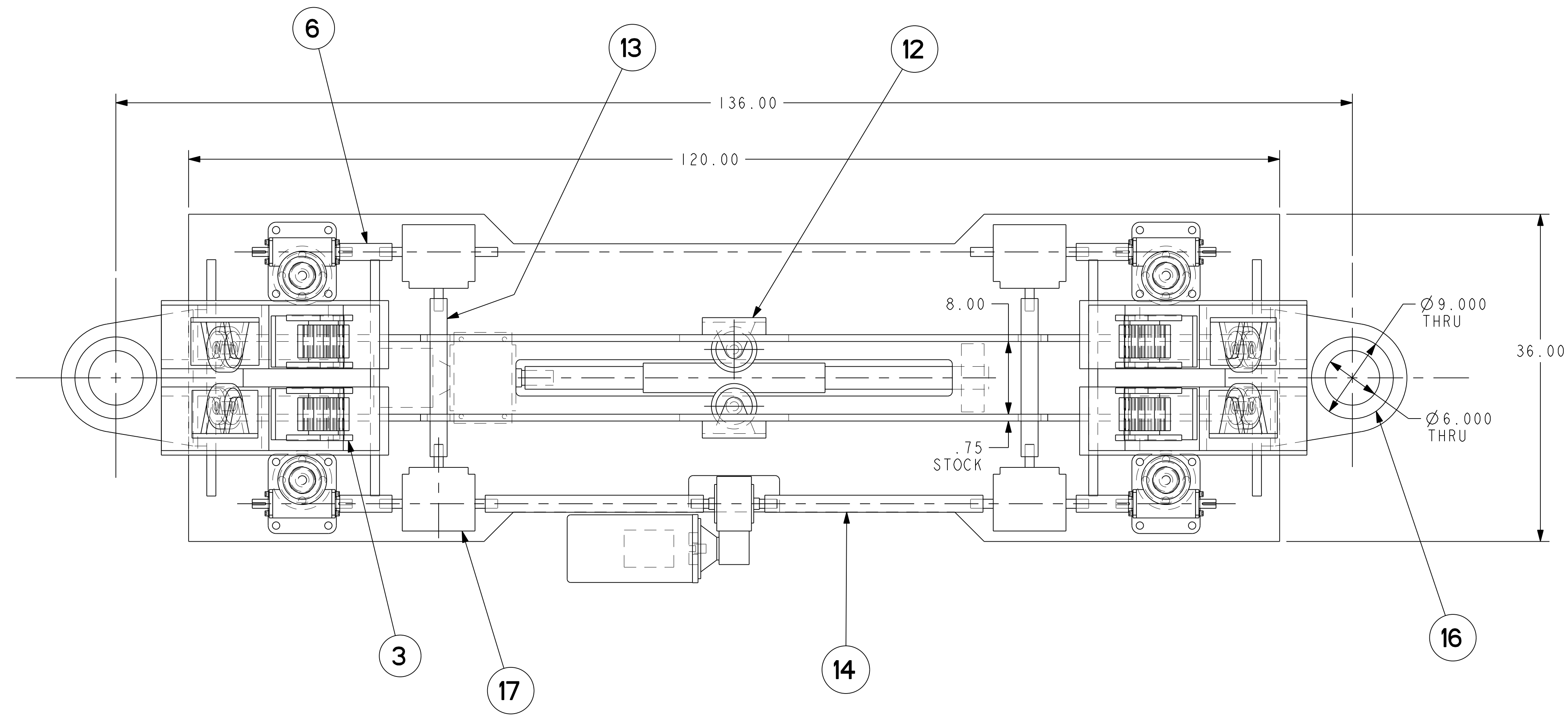


NO.	REVISION	BY	CH	SUP	APPROVED	DATE



1
ASSEMBLY
 SCALE 0.125
 1 REQ'D

PART NO.	DRAWING NO	NOMENCLATURE OR DESCRIPTION	MATERIAL	QTY	REOD
20	SE185-MOTOR	MOTOR	--	1	
19	SE185-MOTOR_MOUNT	MOTOR MOUNT	STEEL	1	
18	10HL-BSJ-1-SCREW_BASE	NOOK SCREW BASE	--	4	
17	SE185-ACTIONJAC-GB12	ACTIONJAC-GEARBOX	--	2	
16	SE185-6IN-BUSH	BUSHING	BRONZE	2	
15	SE185-10HL-BSJ-1	NOOK ACTIONJAC PART	--	4	
14	SE185-047C	CONNECTING TUBE - 1 7/8 DIA x 70 3/4" LG	AISI 1020	2	
13	SE185-047B	CONNECTING TUBE - 1 7/8 DIA x 17.40" LG	AISI 1020	1	
12	SE185-099-03	HORIZONTAL CASTER ASSEMBLY	--	2	
11	SE185-099-02	TANGENT CASTER ASSEMBLY - OPP HAND	--	2	
10	SE185-099-01	TANGENT CASTER ASSEMBLY	--	2	
9	SE185-052	DRIVE AXLE SUPPORT	ASTM A36	1	
8	SE185-051	GEARMOTOR	--	1	
7	SE185-050	WORM GEAR DRIVE AXLE	ASTM A108	1	
6	SE185-047	CONNECTING TUBE - 1 7/8 DIA x 5 3/4" LG	AISI 1020	2	
5	SE185-018	ELEVATOR STRUCTURE	ASTM A36	1	
4	SE185-017	SUPPORT, ROLLER	ASTM A36	4	
3	SE185-016	HILMAN ROLLER TYPICAL PART	--	4	
2	SE185-015	ROLLED OUTER SUPPORT CHANNEL	ASTM A36	2	
1	SE185-005-01	CRADLE ELEVATOR	--	1	

COMPUTER GENERATED DRAWING MANUAL CHANGES NOT PERMITTED Pro E	CENTRAL FILES: UNLESS OTHERWISE SPECIFIED DIMENSIONS ARE IN INCHES MACHINE SURFACES BREAK SHARP EDGES .005/0.020	PRINCETON PLASMA PHYSICS LABORATORY PRINCETON UNIVERSITY NATIONAL COMPACT STELLARATOR EXPERIMENT FIELD PERIOD ASSEMBLY FIELD PERIOD ASSEMBLY FIXTURE CRADLE ELEVATOR	
DO NOT VERIFY INFORMATION BY SCALING DRAWING	TOLERANCES NON-CUMULATIVE DECIMAL-INCH FRACTIONS .XX +/- .030 .XXX +/- .005 ANGULAR +/- .15	DSN: M.MESSINEO CHK: ENGR: T.BROWN SUPV:	DRAWING NO: SE185-005
WEIGHT 6399.4 lbs	MODEL NAME SE185-005-01	RELEASE LEVEL: WIP DWG VERSION NO:	SHEET 1 OF 1 REV 0

NCSX-SE185-005