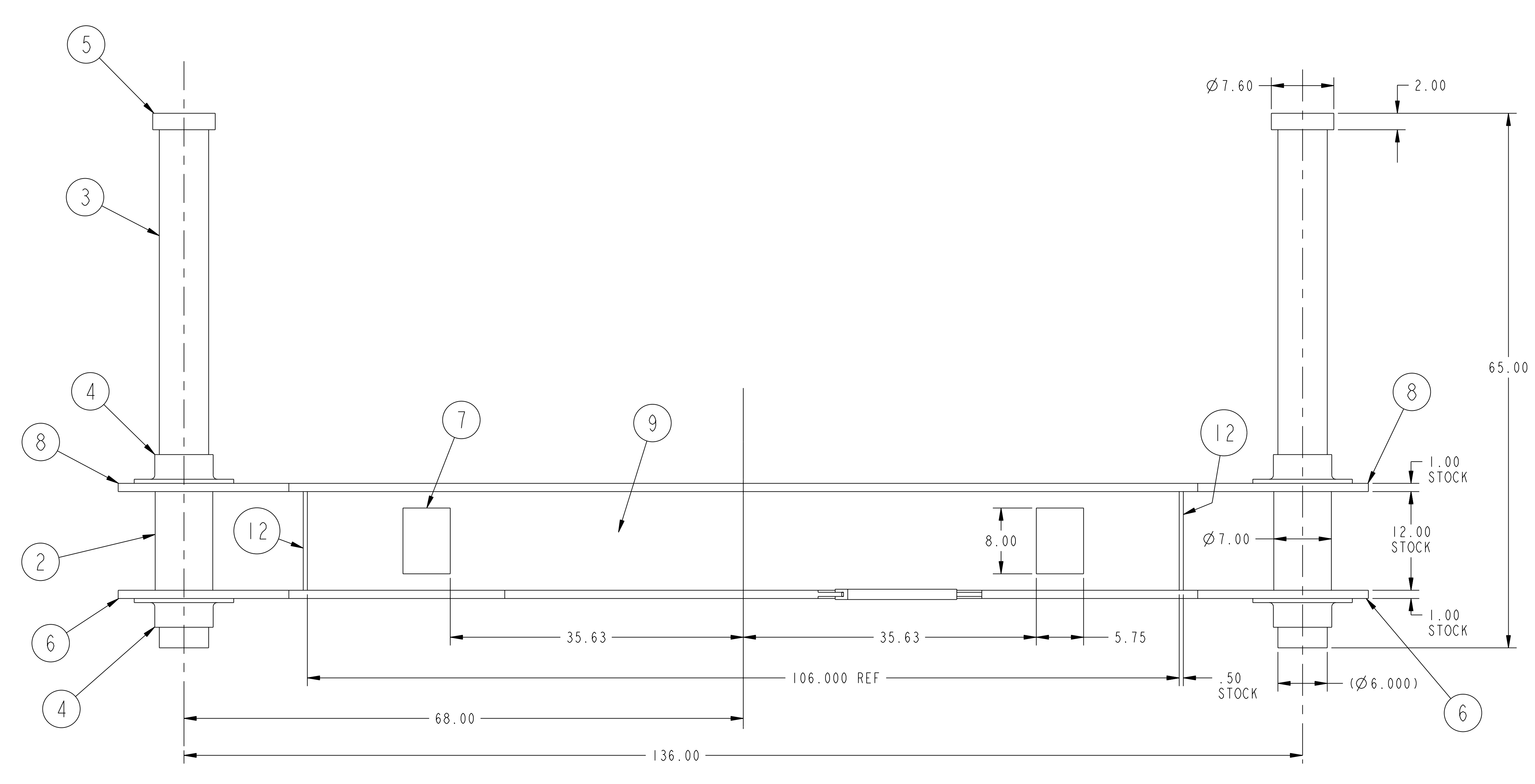
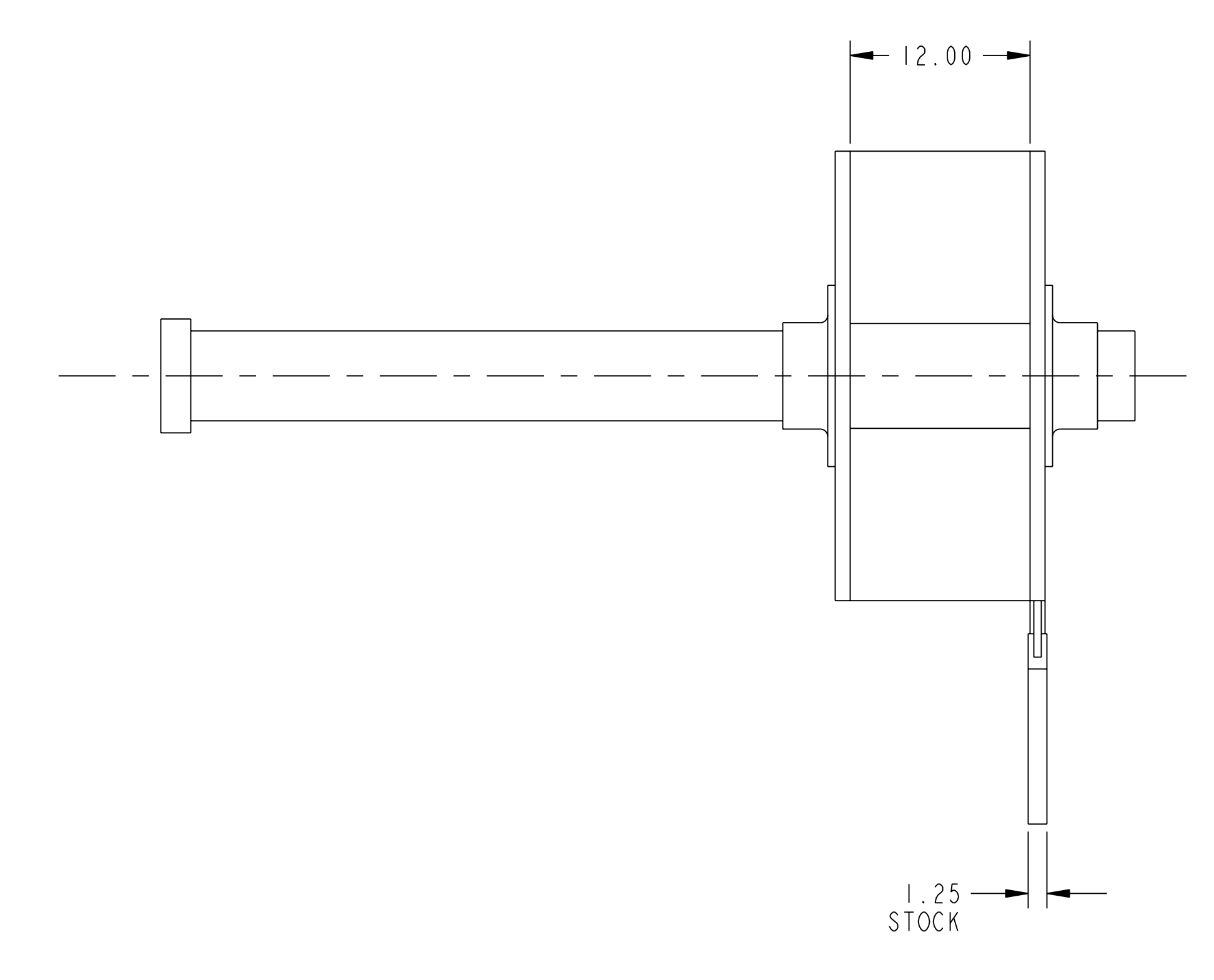
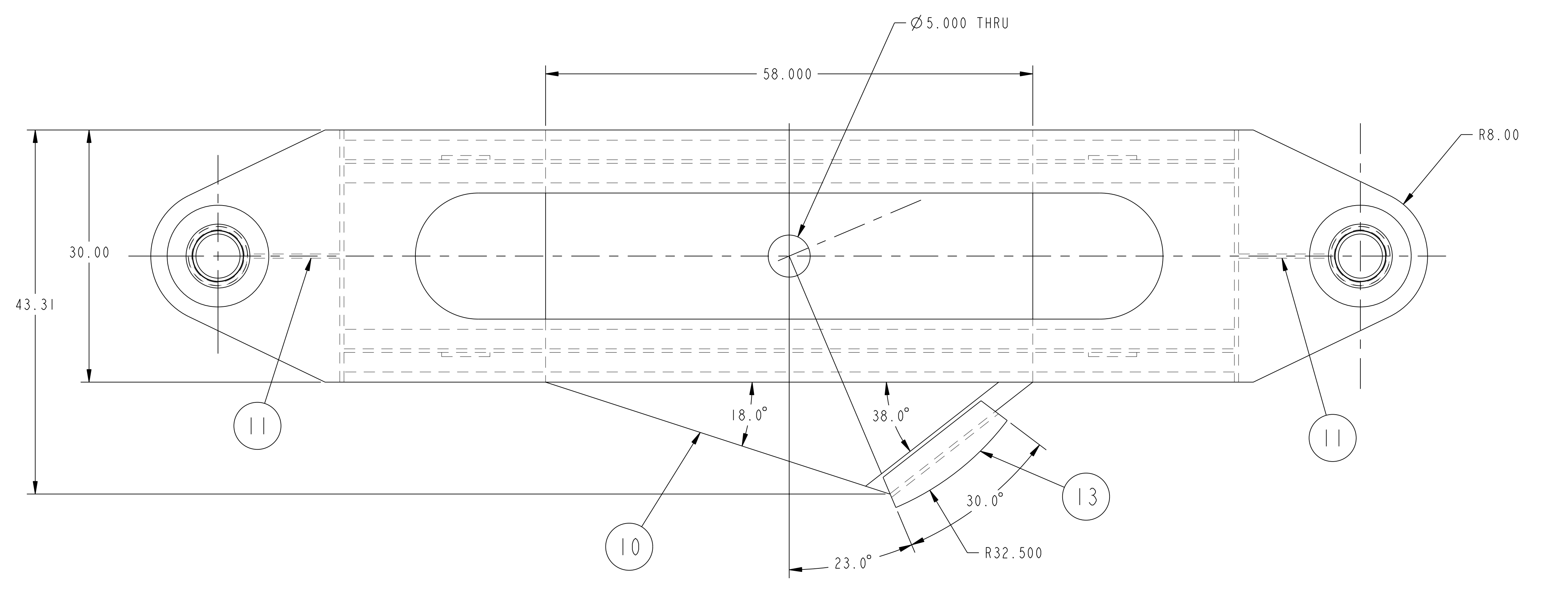


NO.	REVISION	BY	CH	SUP	APPROVED	DATE
-----	----------	----	----	-----	----------	------



ASSEMBLY
SCALE 0.125
1 REQ'D

PART NO.	DRAWING NO	NOMENCLATURE OR DESCRIPTION	MATERIAL	QTY REQD
14	10HL-BSJ-1	SCREW BASE		4
13	SE185-046-1B	NOOK ACTIONJAC BASE ASSEMBLY	STEEL	1
12	SE185-080	ROLLED RACK GEAR - 8 PITCH	ASTM A36	2
11	SE185-082	VERTICAL GUIDE END PLATE	ASTM A36	2
10	SE185-022	VERTICAL GUIDE CENTER PLATE	ASTM A36	2
9	SE185-045-3	TOP PLATE	ASTM A36	1
8	SE185-045-8	SUPPORT BEAM - S12 x 35# x 106" LG	ASTM A36	2
7	SE185-023	NOOK ACTIONJAC MOUNTING PLATE	ASTM A36	2
6	SE185-025	I BEAM SIDE PLATE	ASTM A36	4
5	SE185-025	GUIDE SHAFT PLATE	ASTM A36	2
4	SE185-085	VERTICAL GUIDE TUBE RETAINER FLANGE	AISI 1020	2
3	SE185-083	VERTICAL GUIDE TUBE CONSTRAINT	AISI 1020	4
2	SE185-030	VERTICAL GUIDE TUBE	AISI 1020	2
1	SE185-081	VERTICAL GUIDE RETAINING TUBE	AISI 1020	2
1	SE185-008	VERTICAL GUIDE STRUCTURE ASSEMBLY	--	1

PARTS LIST				
PART NO.	DRAWING NO	NOMENCLATURE OR DESCRIPTION	MATERIAL	QTY REQD
COMPUTER GENERATED DRAWING. MANUAL CHANGES NOT PERMITTED.				
CENTRAL FILES:		PRINCETON PLASMA PHYSICS LABORATORY		
UNLESS OTHERWISE SPECIFIED		PRINCETON UNIVERSITY		
DIMENSIONS ARE IN INCHES		NATIONAL COMPACT STELLARATOR EXPERIMENT		
MACHINE SURFACES		FIELD PERIOD ASSEMBLY FIXTURE		
BREAK SHARP EDGES .005/0.020		VERTICAL GUIDE STRUCTURE ASSEMBLY		
TOLERANCES NON-CUMULATIVE		DSN: M. MESSINEO		
DECIMAL - INCH FRACTIONS		CHK:		
.XX ±.000 0"-.125" ±.010		ENGR: T. BROWN		
.XXX ±.005 12"-.125" ±.010		SUPV:		
ANGULAR ±.0°-.15° OVER 120° ±.1°		DRAWING NO: SE185-008		
NEXT ASSEMBLY		SHEET 1 OF 1		
WELDING ENGINEER		REV 0		

RELEASE LEVEL: WIP
DWG VERSION NO:

WEIGHT
3498.5 lbs
MODEL NAME
SE185-008