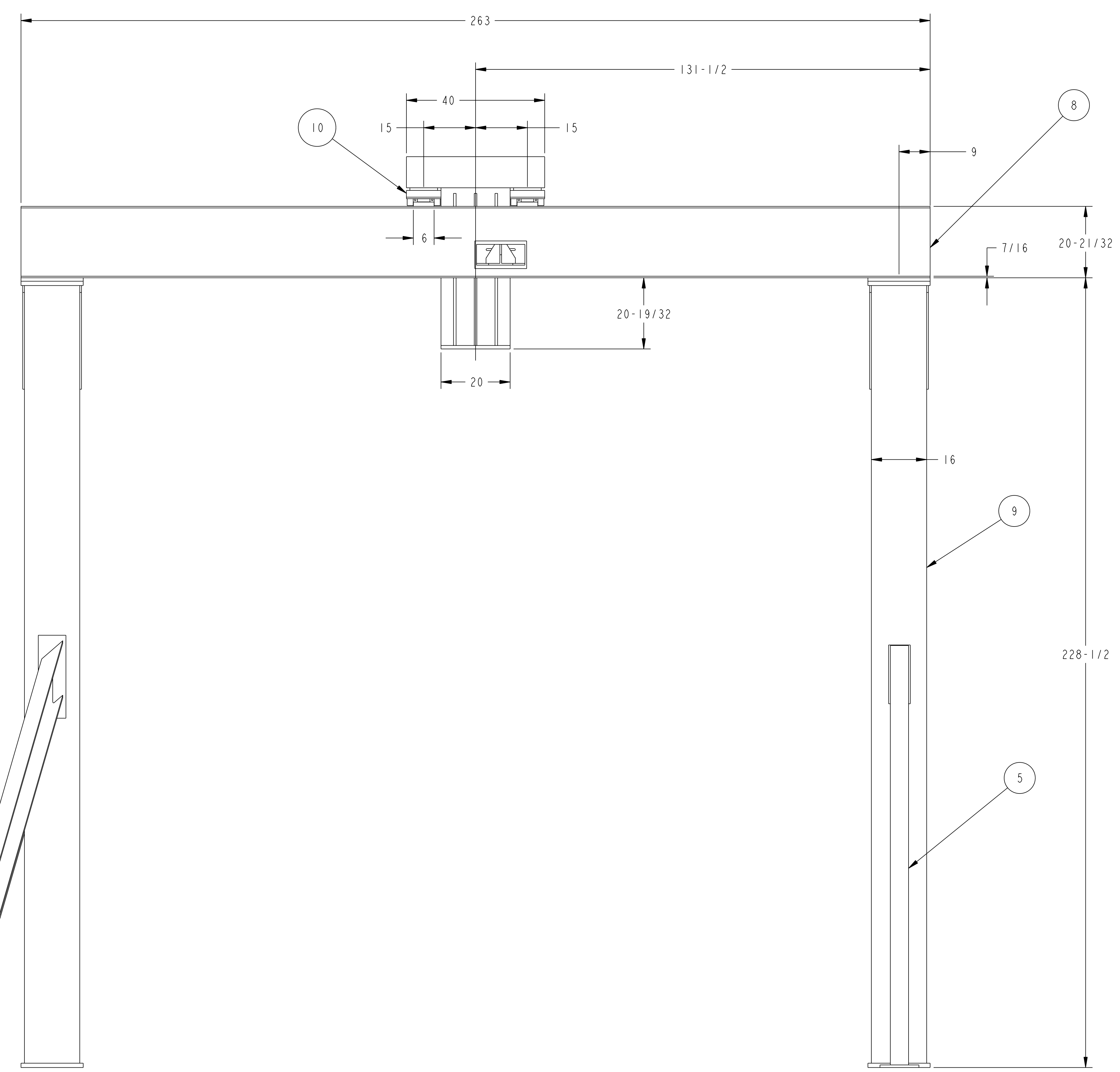
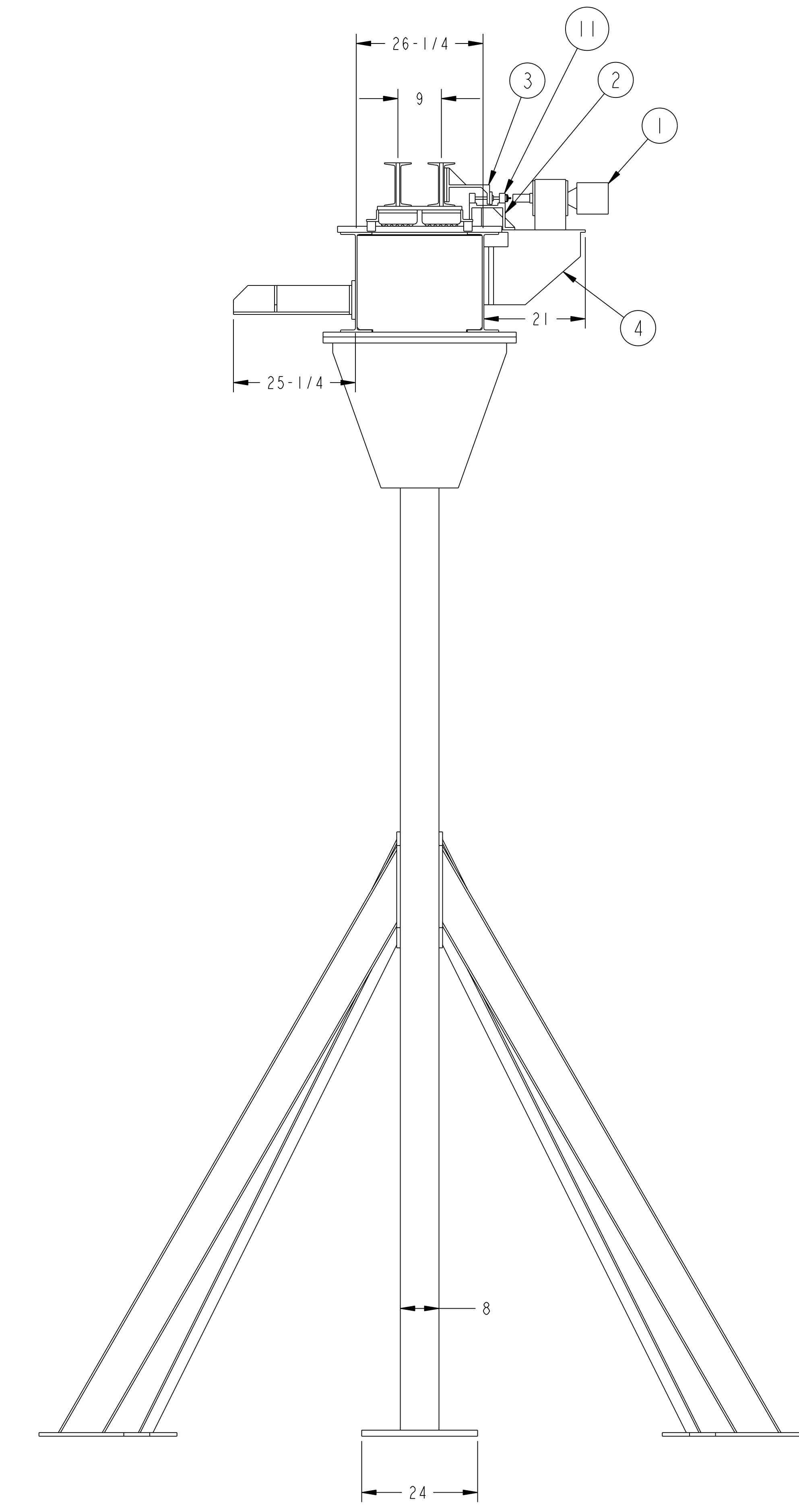
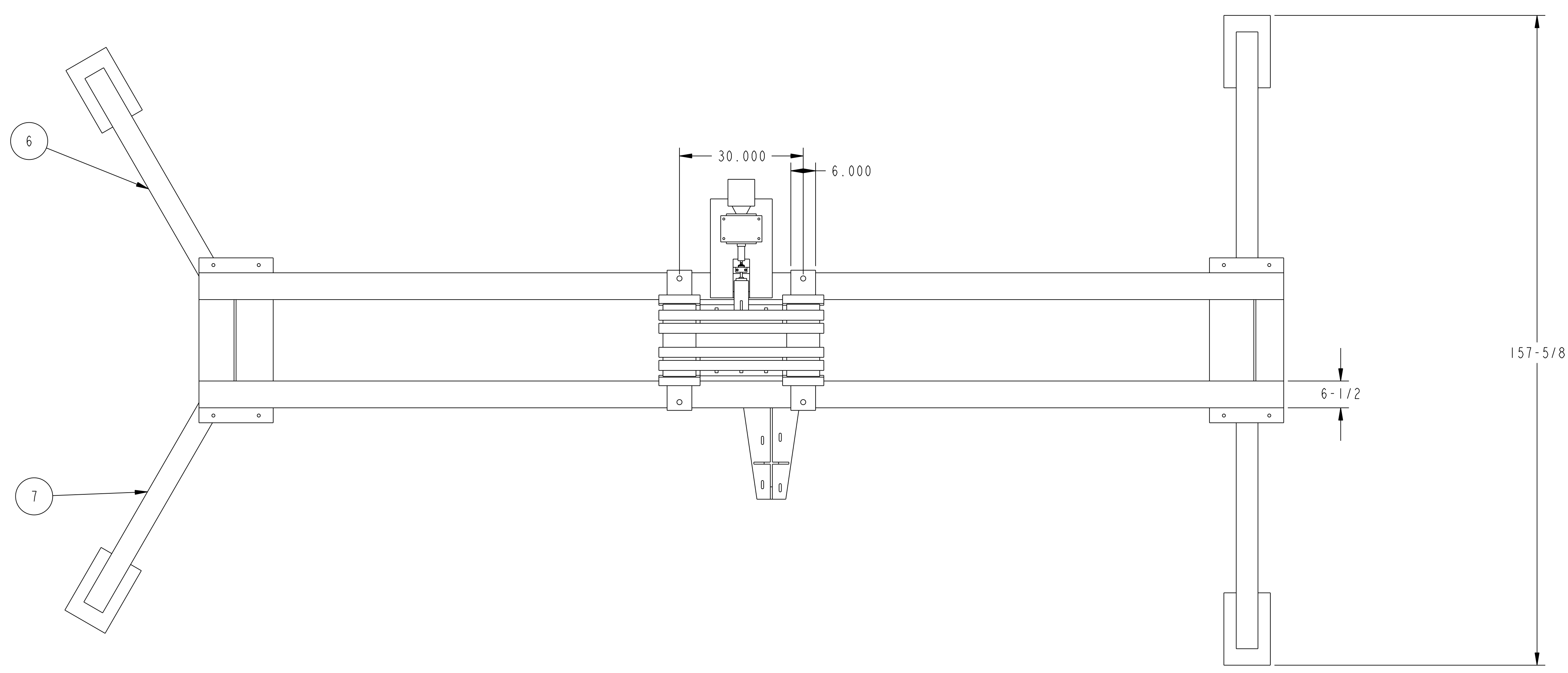


| NO. | REVISION | BY | CH | SUP | APPROVED | DATE |
|-----|----------|----|----|-----|----------|------|
| | | | | | | |



| PART NO. | DRAWING NO | NOMENCLATURE OR DESCRIPTION | MATERIAL | QTY | REOD |
|----------|-----------------------|---------------------------------------|----------|-----|------|
| 11 | SE185-NOOK050.3TRAVEL | NOOK 1/2-10 ACME X 3" TRAVEL ASSEMBLY | | 1 | |
| 10 | SE185-072 | TROLLEY ASSEMBLY | STEEL | 1 | |
| 9 | SE185-071 | I-BEAM S12 x 35 | STEEL | 2 | |
| 8 | SE185-069 | BRIDGE STEEL ASSEMBLY | STEEL | 1 | |
| 7 | SE185-067-3 | BRACE | STEEL | 1 | |
| 6 | SE185-067-2 | BRACE | STEEL | 1 | |
| 5 | SE185-067-1 | BRACE | STEEL | 2 | |
| 4 | SE185-102 | TROLLEY ACTUATOR MOUNTING BRACKET | ASTM A36 | 1 | |
| 3 | SE185-103 | PUSH BRACKET | ASTM A36 | 1 | |
| 2 | SE185-104 | NOOK SCREW ASSEMBLY MOUNTING BRACKET | ASTM A36 | 1 | |
| 1 | SE185-051 | GEARMOTOR | -- | 1 | |

| PARTS LIST | | | | | |
|--|---|---|--------------|--|--|
| COMPUTER GENERATED DRAWING CHANGES NOT PERMITTED | CENTRAL FILES: | PRINCETON PLASMA PHYSICS LABORATORY | | | |
| Pro E | UNLESS OTHERWISE SPECIFIED | PRINCETON UNIVERSITY | | | |
| DO NOT VERIFY INFORMATION BY SCALING DRAWING | DIMENSIONS ARE IN INCHES MACHINE SURFACES | NATIONAL COMPACT STELLARATOR EXPERIMENT | | | |
| | BREAK SHARP EDGES .005/.020 | FIELD PERIOD ASSEMBLY | | | |
| | TOLERANCES NON-CUMULATIVE | DSN: T. BROWN/BP | DRAWING NO: | | |
| | DECIMAL - INCH FRACTIONS | CHK: | SE185-067 | | |
| | .X +/- .100 0" - 12" +/- .010 | ENGR: T. BROWN | SHEET 1 OF 1 | | |
| | .XX +/- .030 12" - 24" +/- .010 | SUPV: | REV 0 | | |
| | .XXX +/- .005 24" - 120" +/- .010 | | | | |
| | ANGULAR +/- .015 OVER 120" +/- .100 | | | | |

RELEASE LEVEL: WIP
DWG VERSION NO: 1

WEIGHT
10036.2 lbs

MODEL NAME
SE185-067