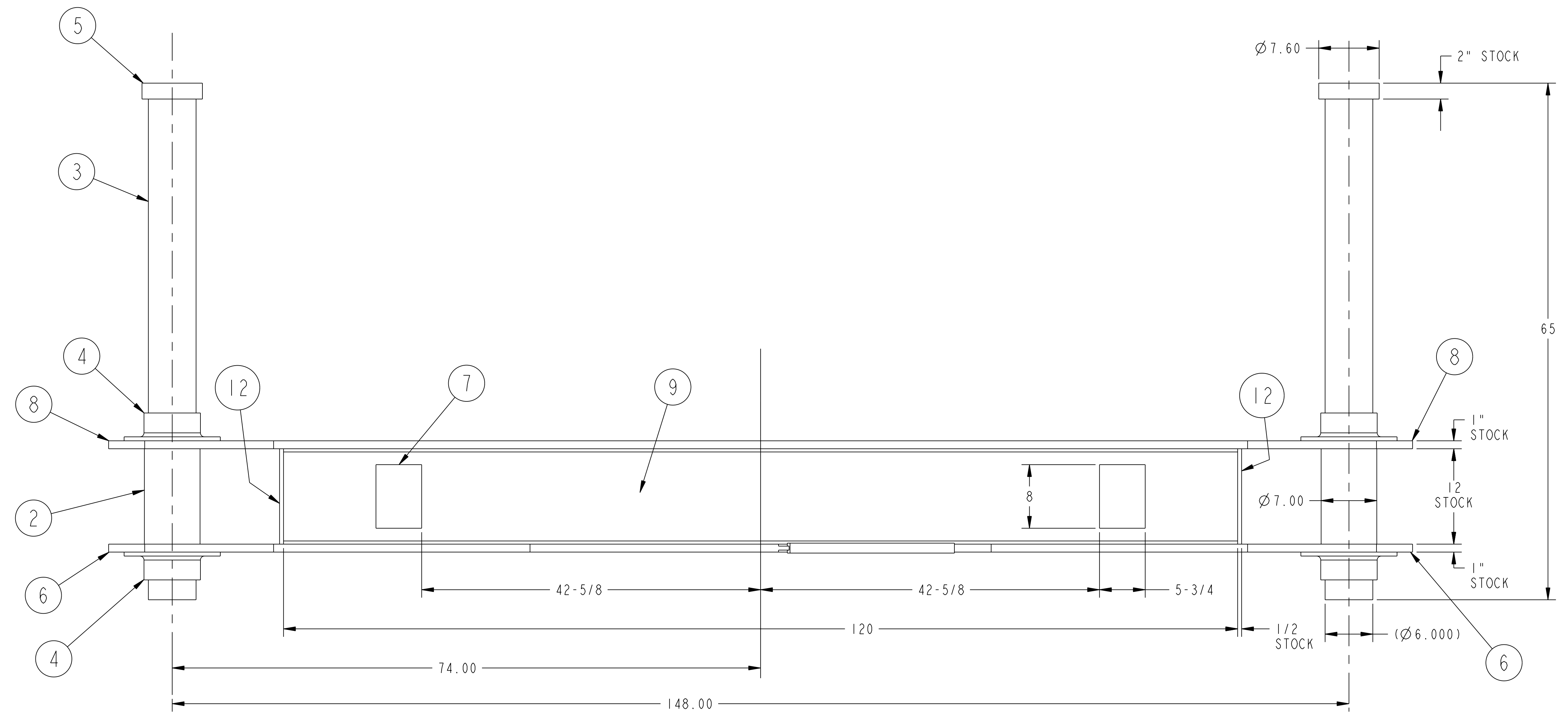
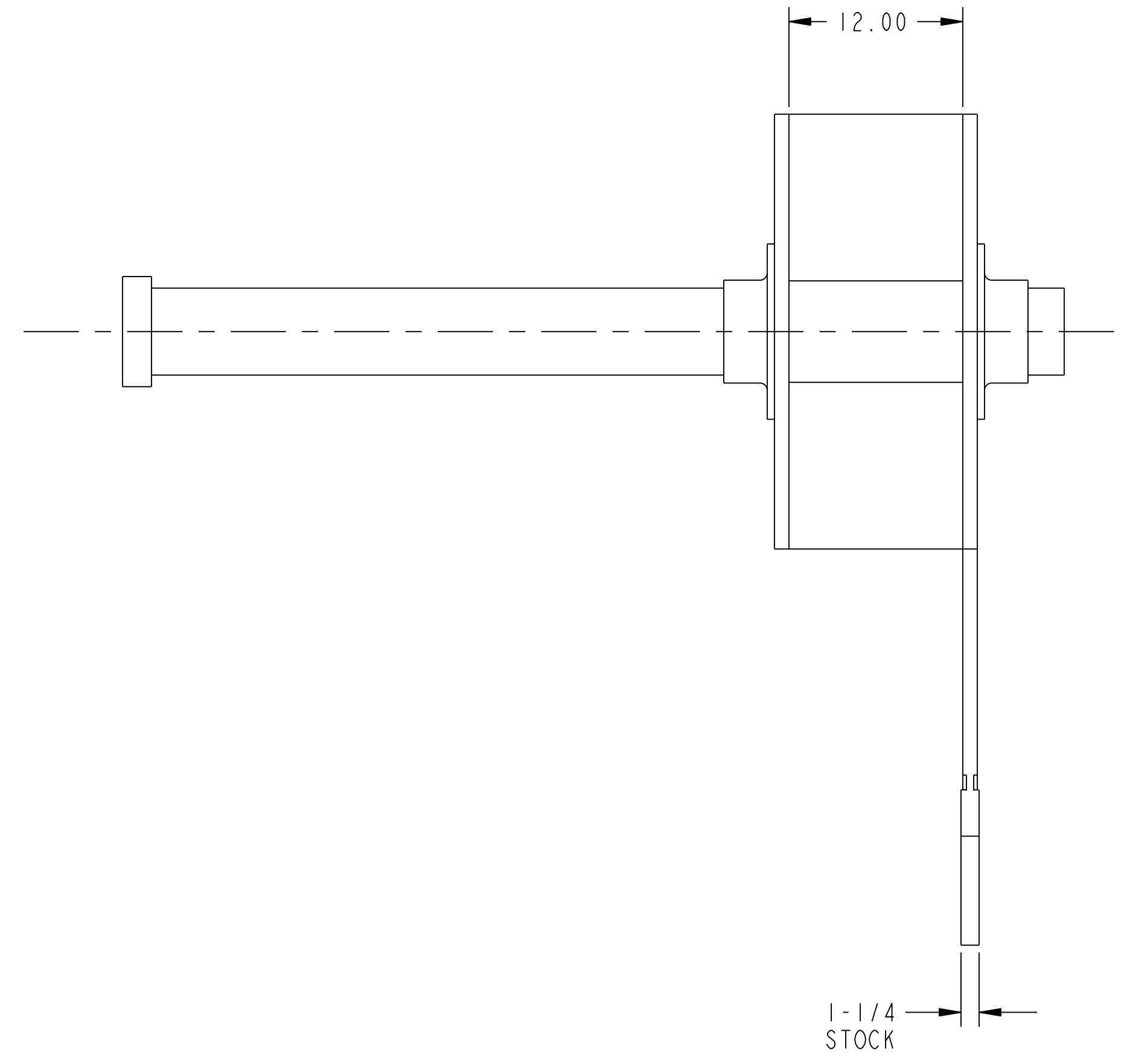
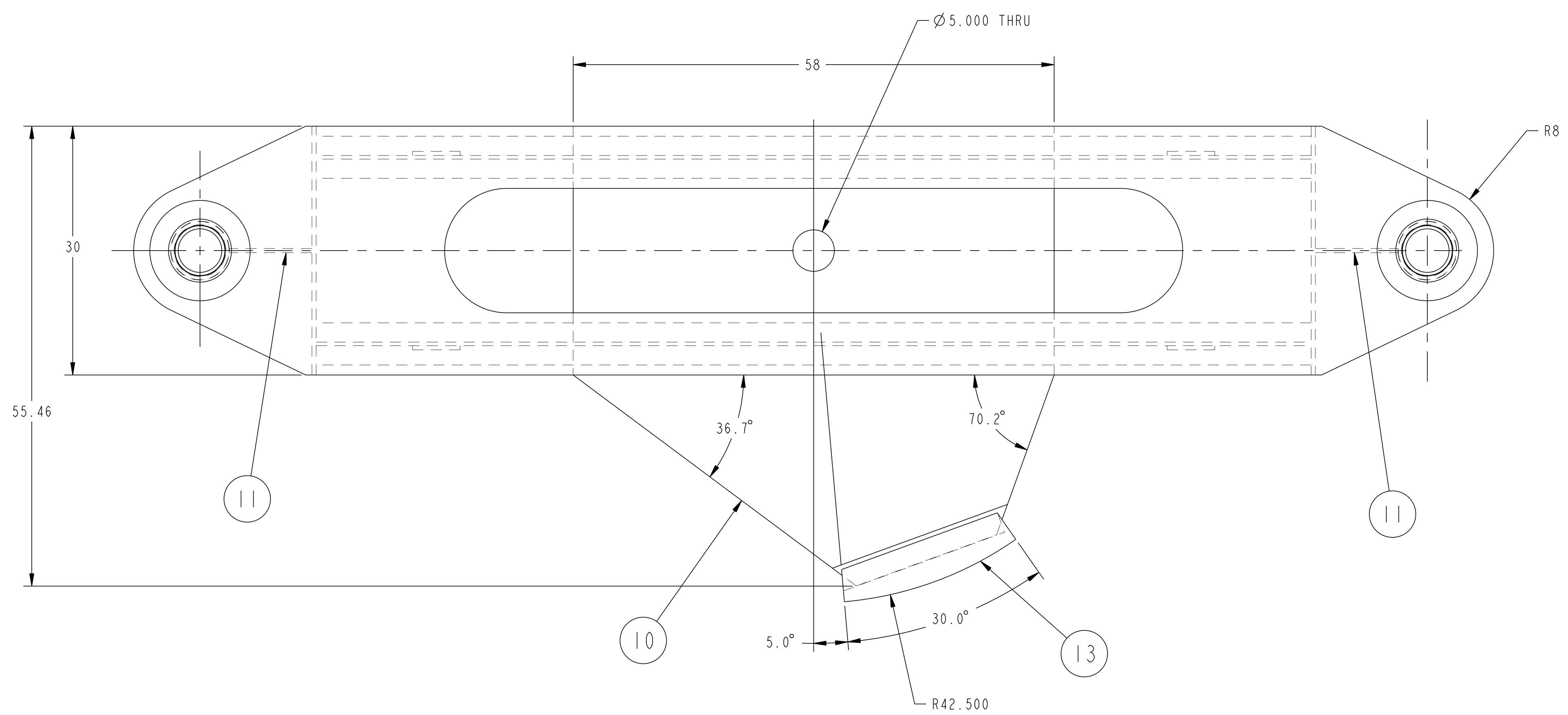


NO.	REVISION	BY	CH	SUP	APPROVED	DATE



PART NO.	DRAWING NO	NOMENCLATURE OR DESCRIPTION	MATERIAL	QTY	RECD
14	10HL-BJ-1	SCREW BASE		4	
13	SE185-046-1B	NOOK ACTIONJAC BASE ASSEMBLY	STEEL	1	
12	SE185-080	ROLLED RACK GEAR - 8 PITCH	ASTM A36	2	
11	SE185-082	VERTICAL GUIDE END PLATE	ASTM A36	2	
10	SE185-022	VERTICAL GUIDE CENTER PLATE	ASTM A36	2	
9	SE185-045-3	TOP PLATE	ASTM A36	1	
8	SE185-045-8	SUPPORT BEAM - S12 x 35# x 120" LG	ASTM A36	2	
7	SE185-023	NOOK ACTIONJAC MOUNTING PLATE	ASTM A36	2	
6	SE185-025	GUIDE SHAFT PLATE	ASTM A36	4	
5	SE185-085	VERTICAL GUIDE TUBE RETAINER FLANGE	ASTM A36	2	
4	SE185-083	VERTICAL GUIDE TUBE CONSTRAINT	AISI 1020	4	
3	SE185-030	VERTICAL GUIDE TUBE	AISI 1020	2	
2	SE185-081	VERTICAL GUIDE RETAINING TUBE	AISI 1020	2	
1	SE185-008	VERTICAL GUIDE STRUCTURE ASSEMBLY	--	1	

ASSEMBLY  
SCALE 0.125  
1 REQ'D

WEIGHT  
3923.2 lbs

MODEL NAME  
SE185-008

RELEASE LEVEL: WIP  
DWG VERSION NO:

COMPUTER GENERATED DRAWING. MANUAL CHANGES NOT PERMITTED. DO NOT VERIFY INFORMATION BY SCALING DRAWING.

CENTRAL FILES: UNLESS OTHERWISE SPECIFIED. DIMENSIONS ARE IN INCHES. MACHINE SURFACES  $\nabla$ . BREAK SHARP EDGES .005/.020.

TOLERANCES NON-CUMULATIVE: DECIMAL-INCH FRACTIONS: .XX  $\pm$ .000 0"-.125"  $\pm$ .0150, .XX  $\pm$ .005 12"-.32"  $\pm$ .0170, .XXX  $\pm$ .005 32"-.120"  $\pm$ .0174, ANGULAR  $\pm$ .0"-.15" OVER 120"  $\pm$ .172

DSN: M.MESSINEO. CHK: ENGR: T.BROWN. SUPV:   
DRAWING NO: SE185-008  
SHEET 1 OF 1 REV 0

PRINCETON PLASMA PHYSICS LABORATORY  
PRINCETON UNIVERSITY  
NATIONAL COMPACT STELLARATOR EXPERIMENT  
FIELD PERIOD ASSEMBLY FIXTURE  
VERTICAL GUIDE STRUCTURE ASSEMBLY

NCSX-SE185-008