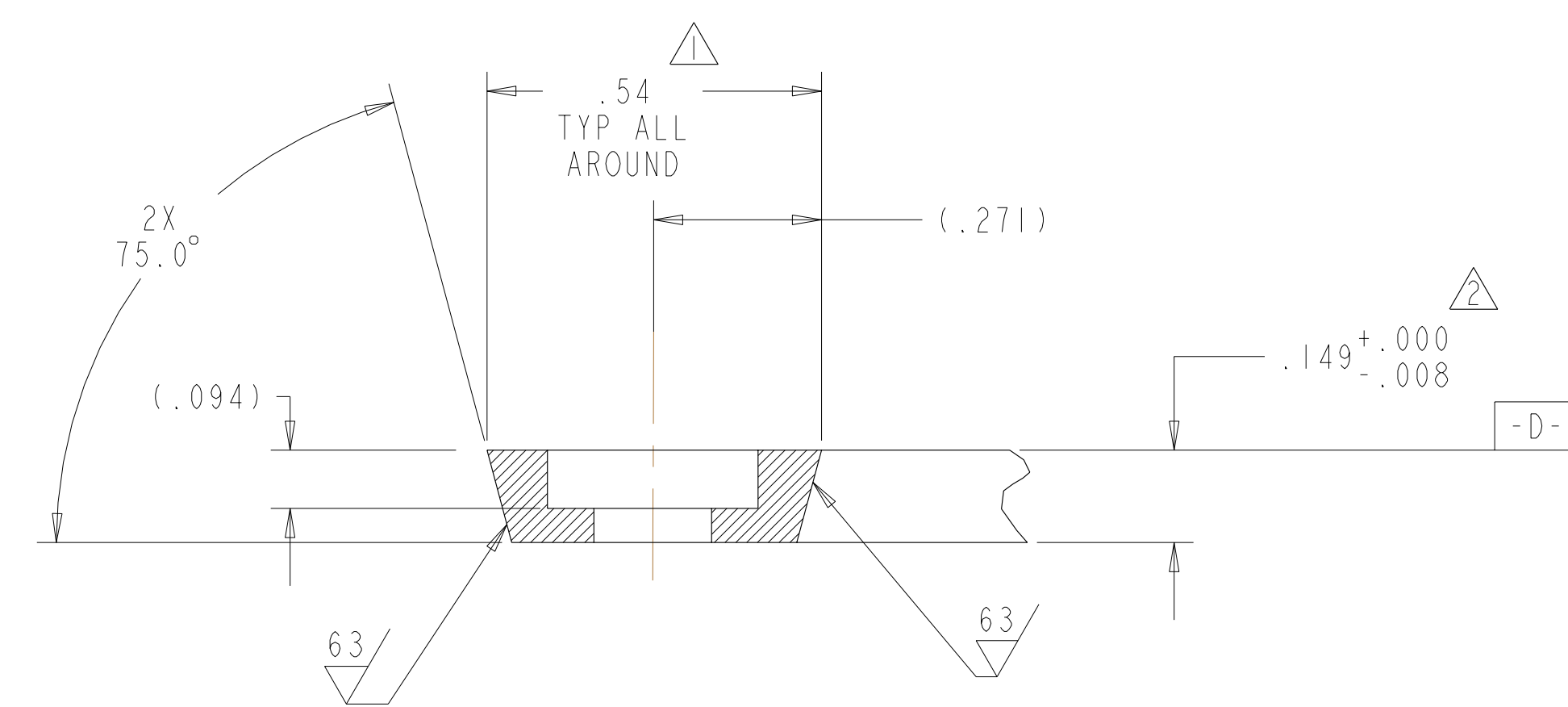
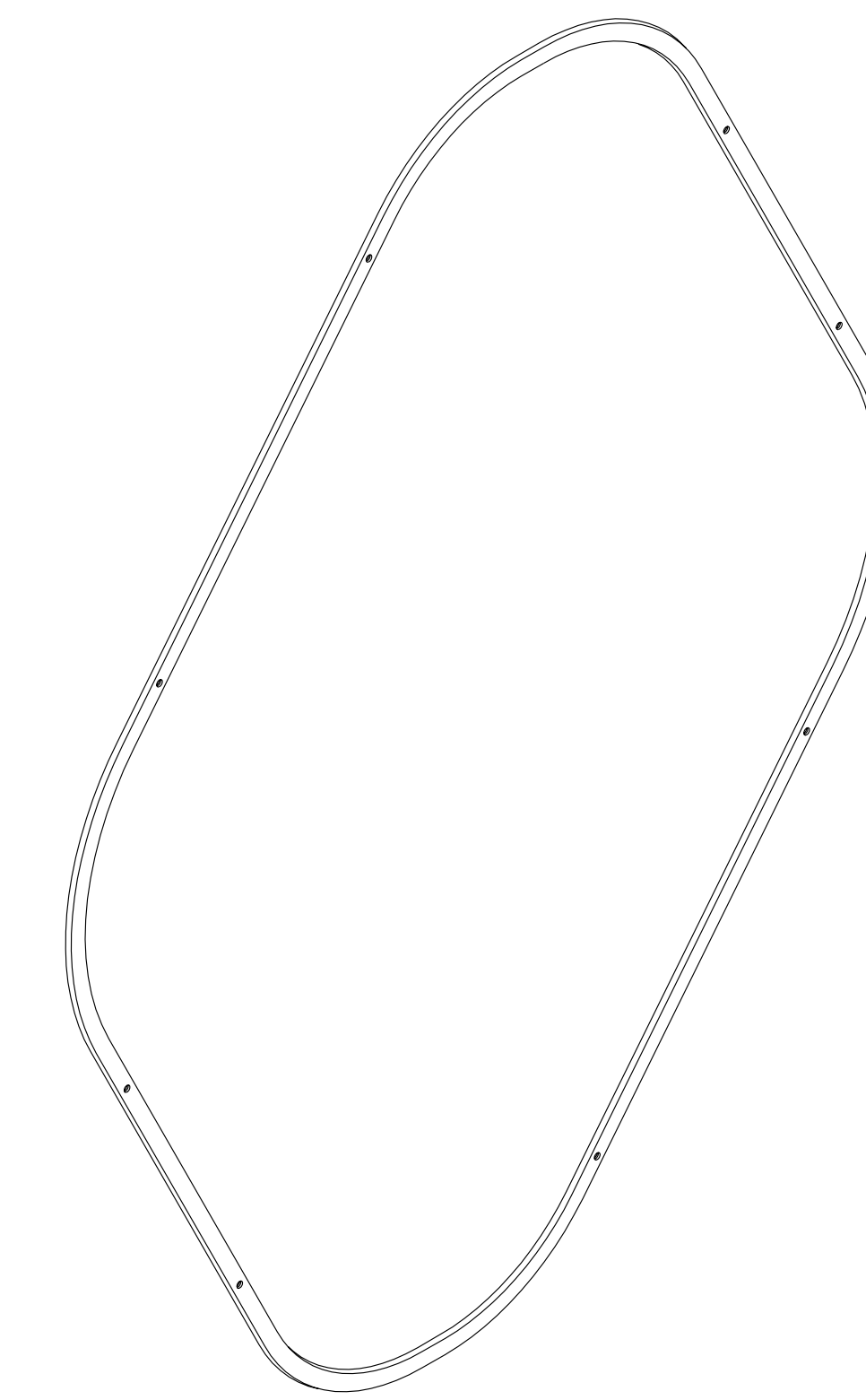
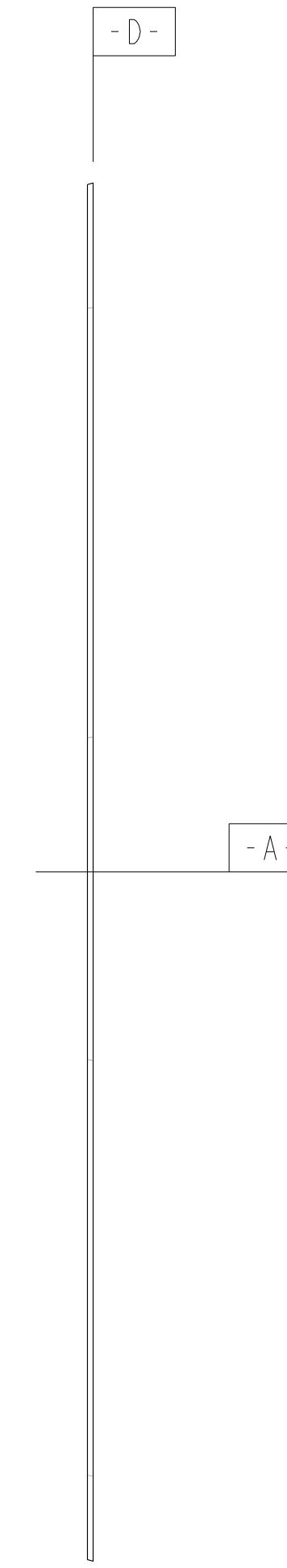
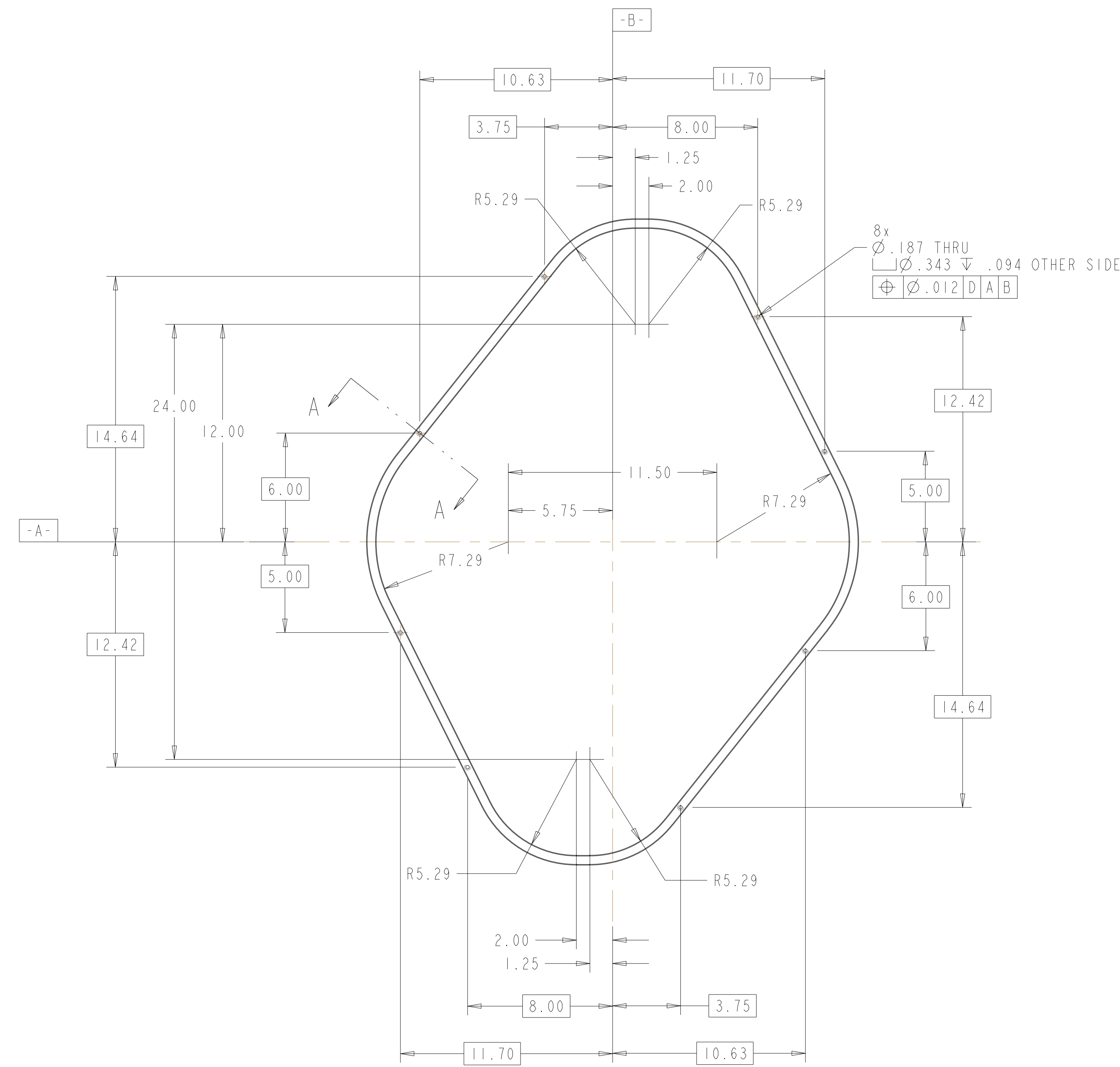


- NOTES:
1. INTERPRET DIMENSIONS AND TOLERANCES PER ANSI Y14.5M
 2. DIMENSIONS ARE IN INCHES
 3. FABRICATION, INSPECTION, AND TESTING SHALL BE PERFORMED IN ACCORDANCE WITH SPECIFICATION NCSX-CSPEC-121-02 AND STATEMENT OF WORK NCSX-SOW-121-03.



SECTION A-A
 SCALE 4.00

① SCALE: 0.25

Rev 1-a: ECN-5117 (RFD-12-010) approved grinding outside profile (maintaining the angle and surface finish) inward to reduce interference created by undersized metal o-ring. Radii may be completely cut off if needed. Bevel may be ground as needed. Retainers are only to assist in assembly. Tongue depressors may even be used to temporarily hold seals in place in lieu of retainer until flange cover is installed and compresses seal enough to hold in place. - Applicable to All 3 VVSAs.

RELEASED FOR FABRICATION / INSTALLATION
 PPPL Drafting:

REV	DESCRIPTION	BY	DATE	CHK	DEPT	DATE	PE	REQ	DATE	ORNL	DOE	DATE
1	REVISION OR ISSUE PURPOSE											

next assy	AR	CAGE CODE	PART OR IDENTIFYING NO	PORT NB SEAL RETAINER DETAIL	UNS N06625	MATERIAL	NOMENCLATURE OR DESCRIPTION	SPECIFICATION	FIND NO
next assy	SE120-004			PORT NB SEAL RETAINER DETAIL	UNS N06625				

NO REPRESENTATION OR WARRANTY, EXPRESSED OR IMPLIED, IS MADE AS TO THE ACCURACY, COMPLETENESS OR USEFULNESS OF THE INFORMATION OR STATEMENTS CONTAINED IN THESE DRAWINGS, OR THAT THE USE OR DISCLOSURE OF ANY INFORMATION, APPARATUS, METHOD OR PROCESS DISCLOSED IN THESE DRAWINGS MAY NOT INFRINGE PRIVATE RIGHTS OF OTHERS. NO LIABILITY IS ASSUMED WITH RESPECT TO THE USE OF, OR FOR DAMAGES RESULTING FROM THE USE OF, ANY INFORMATION, APPARATUS, METHOD OR PROCESS DISCLOSED IN THESE DRAWINGS. DRAWINGS MADE AVAILABLE FOR INFORMATION TO BIDDER ARE NOT TO BE USED FOR OTHER PURPOSES, AND ARE TO BE RETURNED UPON REQUEST OF THE FORWARDING CONTRACTOR.

P THIS DRAWING PRODUCED ON PRO-ENGINEER

REV	DESCRIPTION	BY	DATE	CHK	DEPT	DATE	PE	REQ	DATE	ORNL	DOE	DATE
1	REVISION OR ISSUE PURPOSE											

SCALE	NOTED	DES	DATE
		P. GORANSON	5-27-04
		G. LOVETT	5-27-04
		D. SPARKS	6-03-04

PPPL DRFT	J SIEGEL	6/04
VERSION NO.	0	
PLANT	X-10	
BLDG	5700	
FL	3	
SHT OF	1	
TYPE	I	
CLASS	S	
REV	U	

UT-BATTELLE	NATIONAL COMPACT STELLARATOR EXPERIMENT
VACUUM VESSEL PORT NB SEAL RETAINER DETAIL	
RELEASE LEVEL	Fabrication
SE122-173	

SE122-173