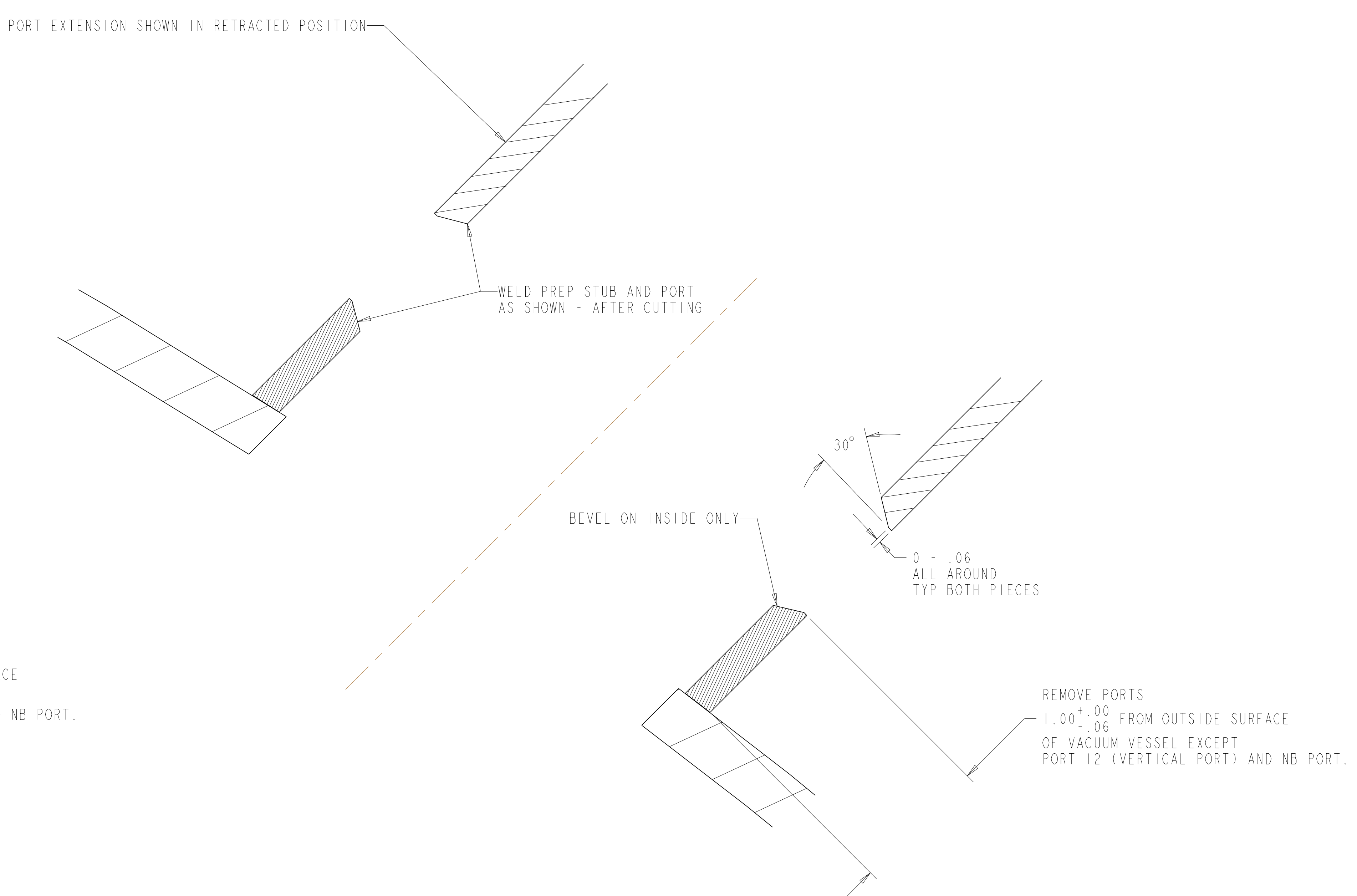
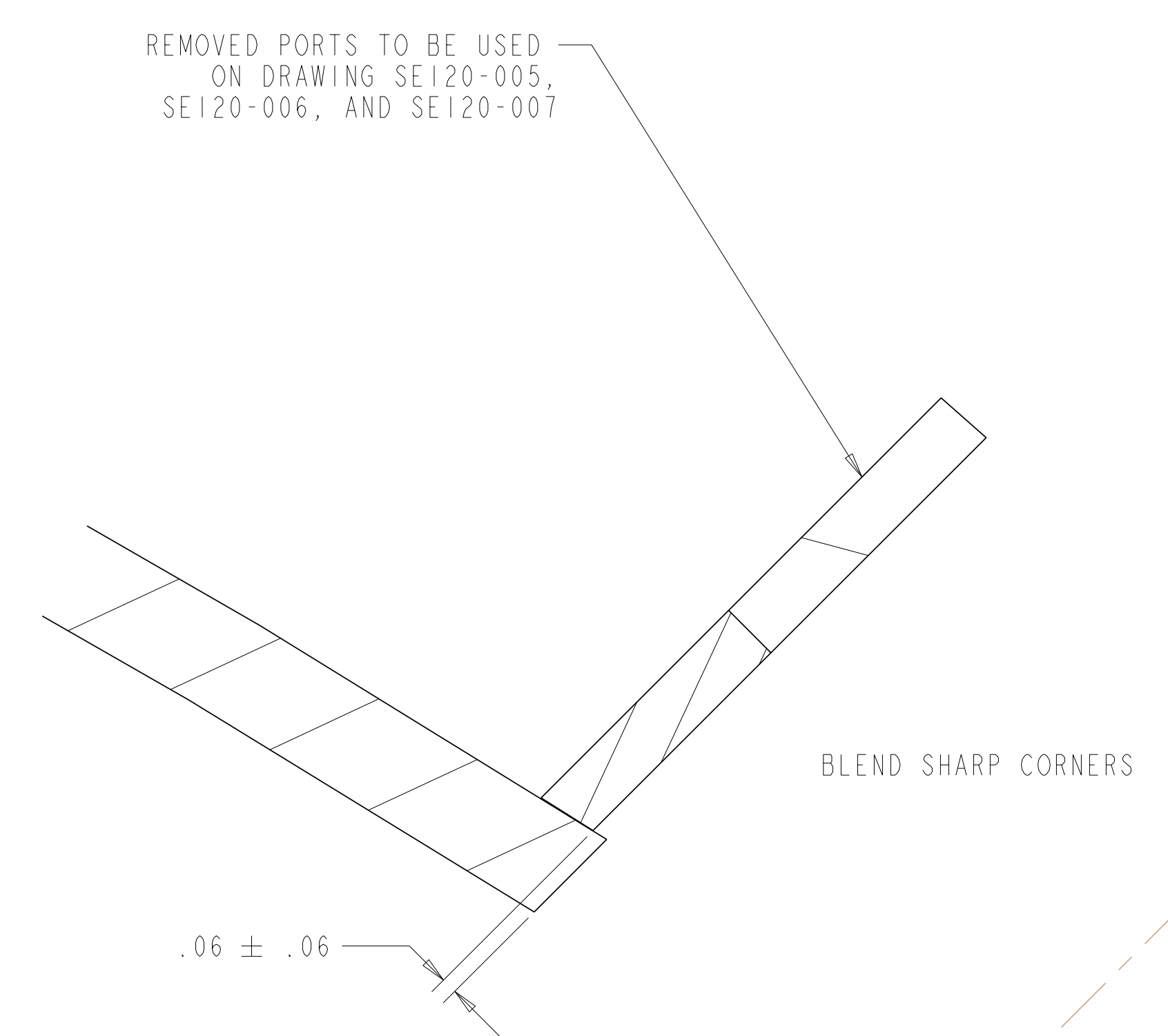


UT-BATTELLE		Oak Ridge National Laboratory managed for the DEPARTMENT OF ENERGY under U.S. GOVERNMENT contract DE-AC05-00OR22725 UT-BATTELLE, LLC, Oak Ridge, Tennessee	
PROJECT NAME			
NATIONAL COMPACT STELLARATOR EXPERIMENT			
VACUUM VESSEL PERIOD ASSEMBLY AND REMOVED PORT EXTENSIONS			
VERSION NO.	PLANT	BLDG	FL SHT OF TYPE CLASS
23	X-10	5700	3 2 4 A U
RELEASE LEVEL	REV		
WIP	SEI20-003 I		

SEI20-003

FOR NOTES AND PARTS LIST SEE SHEET 1.



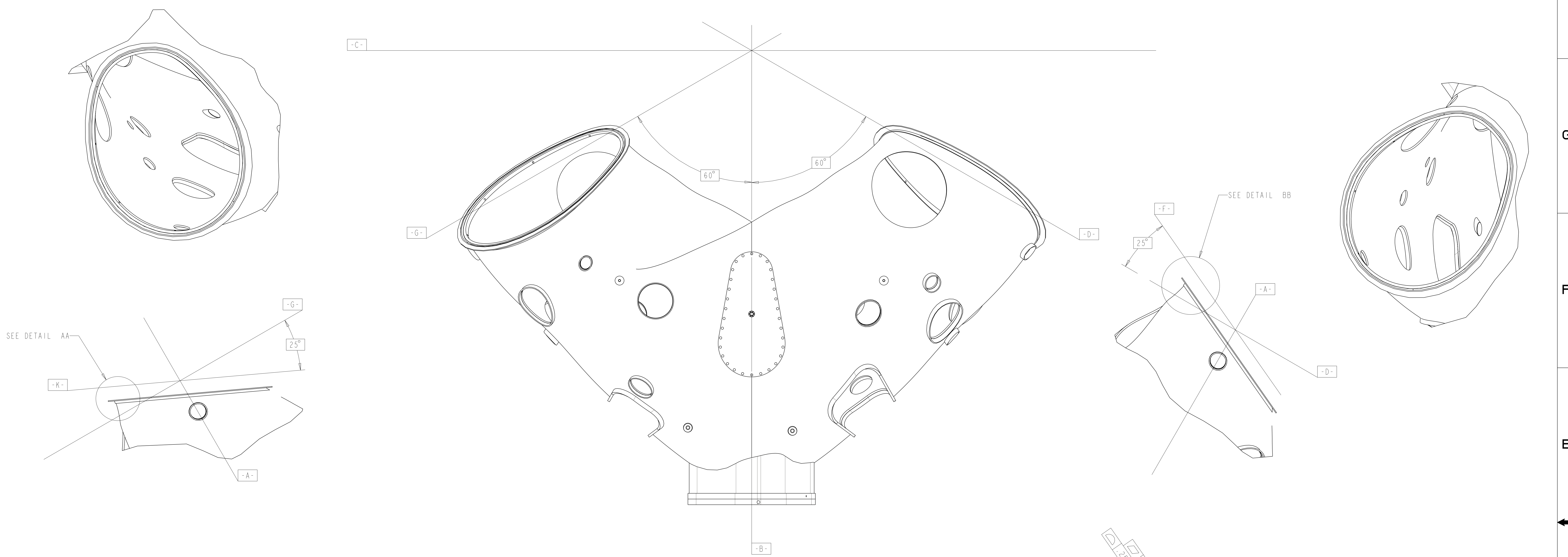
TYPICAL FOR ALL PORTS
EXCEPT VERTICAL PORT 12 AND NEUTRAL BEAM PORT
SECTION PORT02-PORT02
FROM SHT 2
SCALE 2.00

TYPICAL PORT WELD PREP DETAIL
FOR ALL PORTS
EXCEPT VERTICAL PORT 12, NEUTRAL BEAM PORT, AND PORT 4
SECTION PORT02-PORT02 SHOWN
FROM SHEET 2
SCALE 2.00

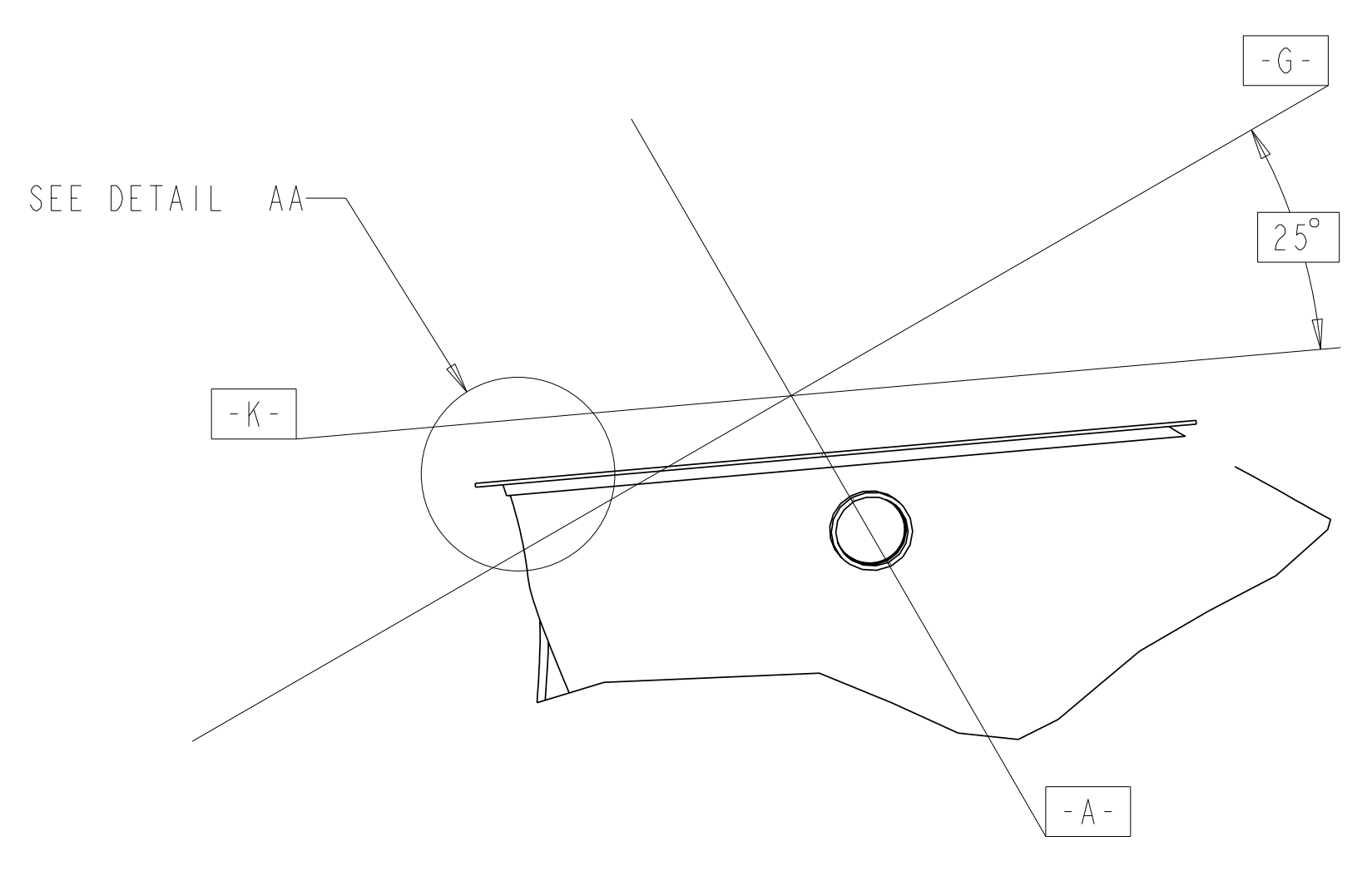
UT-BATTELLE		Oak Ridge National Laboratory managed for the DEPARTMENT OF ENERGY under U.S. GOVERNMENT contract DE-AC05-00OR22725 UT-BATTELLE, LLC, Oak Ridge, Tennessee	
PROJECT NAME			
NATIONAL COMPACT STELLARATOR EXPERIMENT			
VACUUM VESSEL PERIOD ASSEMBLY AND REMOVED PORT EXTENSIONS			
VERSION NO.	PLANT	BLDG	FL SHT OF TYPE CLASS
23	X-10	5700	3 3 4 A U
RELEASE LEVEL		REV	
WIP		I	

SE120-003

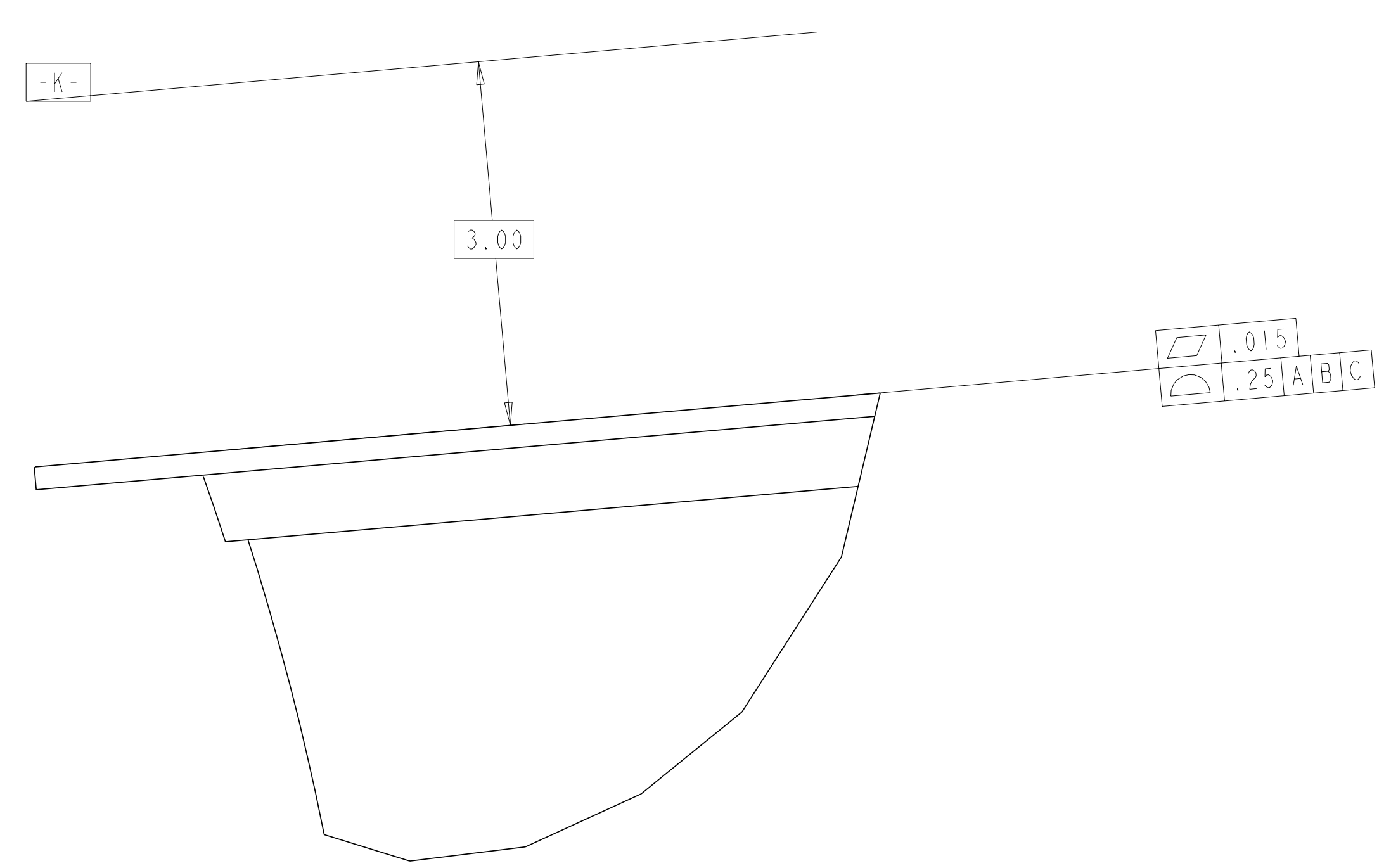
FOR NOTES AND PARTS LIST SEE SHEET 1.



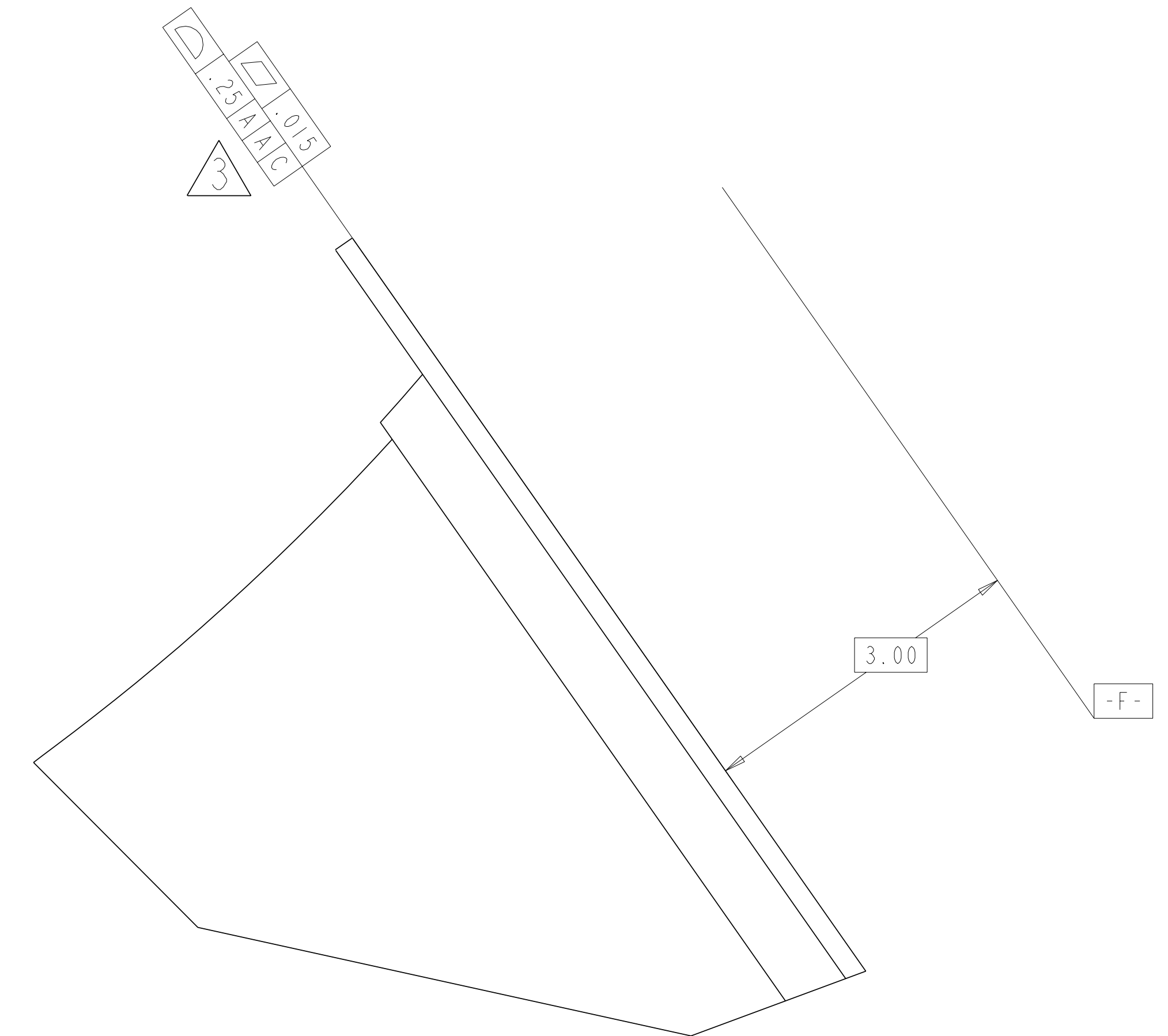
TOP VIEW
 SCALE 0.13



DETAIL AA
 SCALE 1.00



DETAIL BB
 SCALE 1.00



UT-BATTELLE		Oak Ridge National Laboratory managed for the DEPARTMENT OF ENERGY under U.S. GOVERNMENT contract DE-AC05-00OR22725 UT-BATTELLE, LLC, Oak Ridge, Tennessee	
PROJECT NAME			
NATIONAL COMPACT STELLARATOR EXPERIMENT			
VACUUM VESSEL PERIOD ASSEMBLY AND REMOVED PORT EXTENSIONS			
VERSION NO.	PLANT	BLDG	FL SHT OF TYPE CLASS
23	X-10	5700	3 4 4 A U
RELEASE LEVEL	REV		
WIP	SE120-003		

H
G
F
E
D
C
B
A

SE120-003