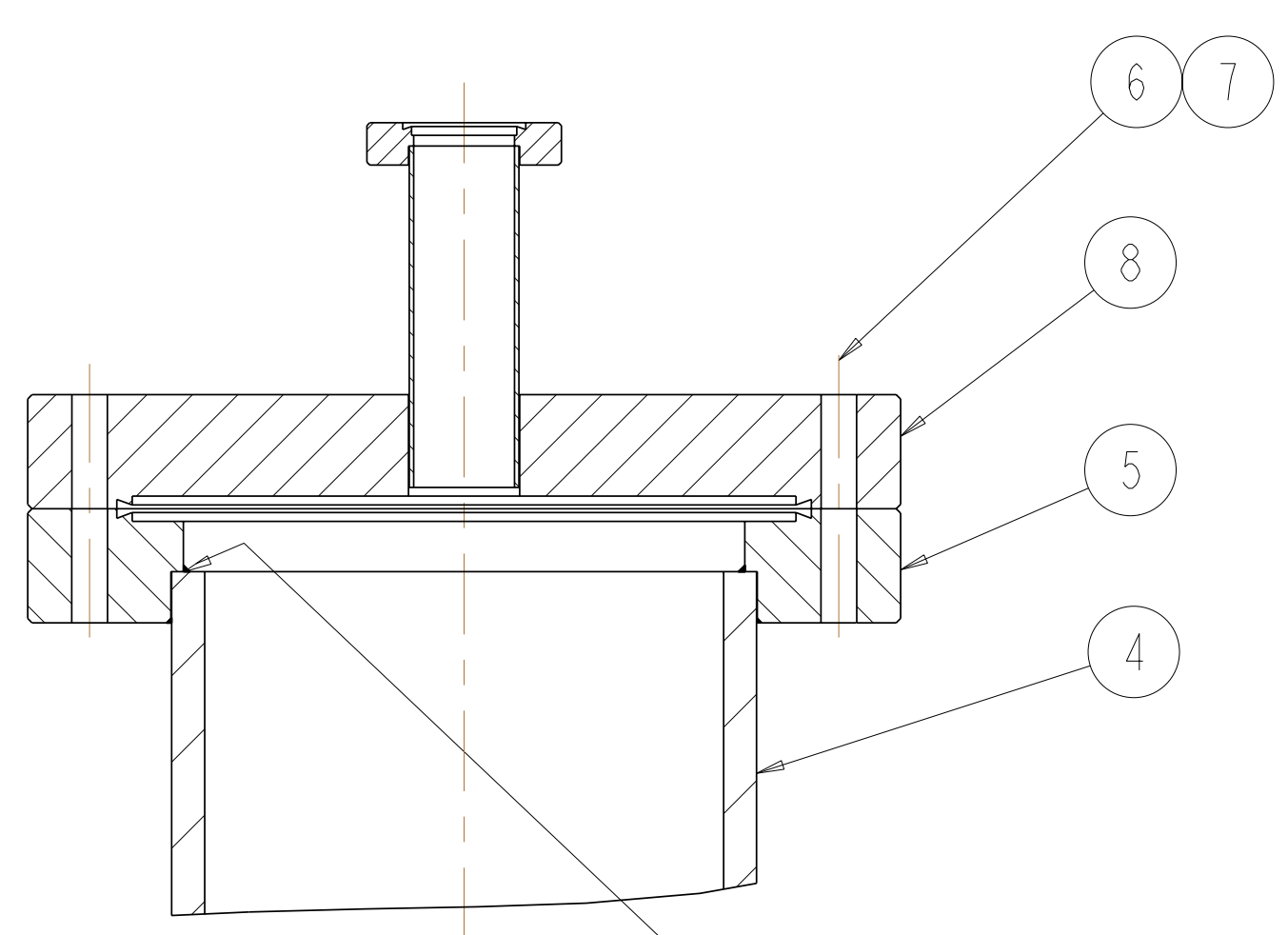
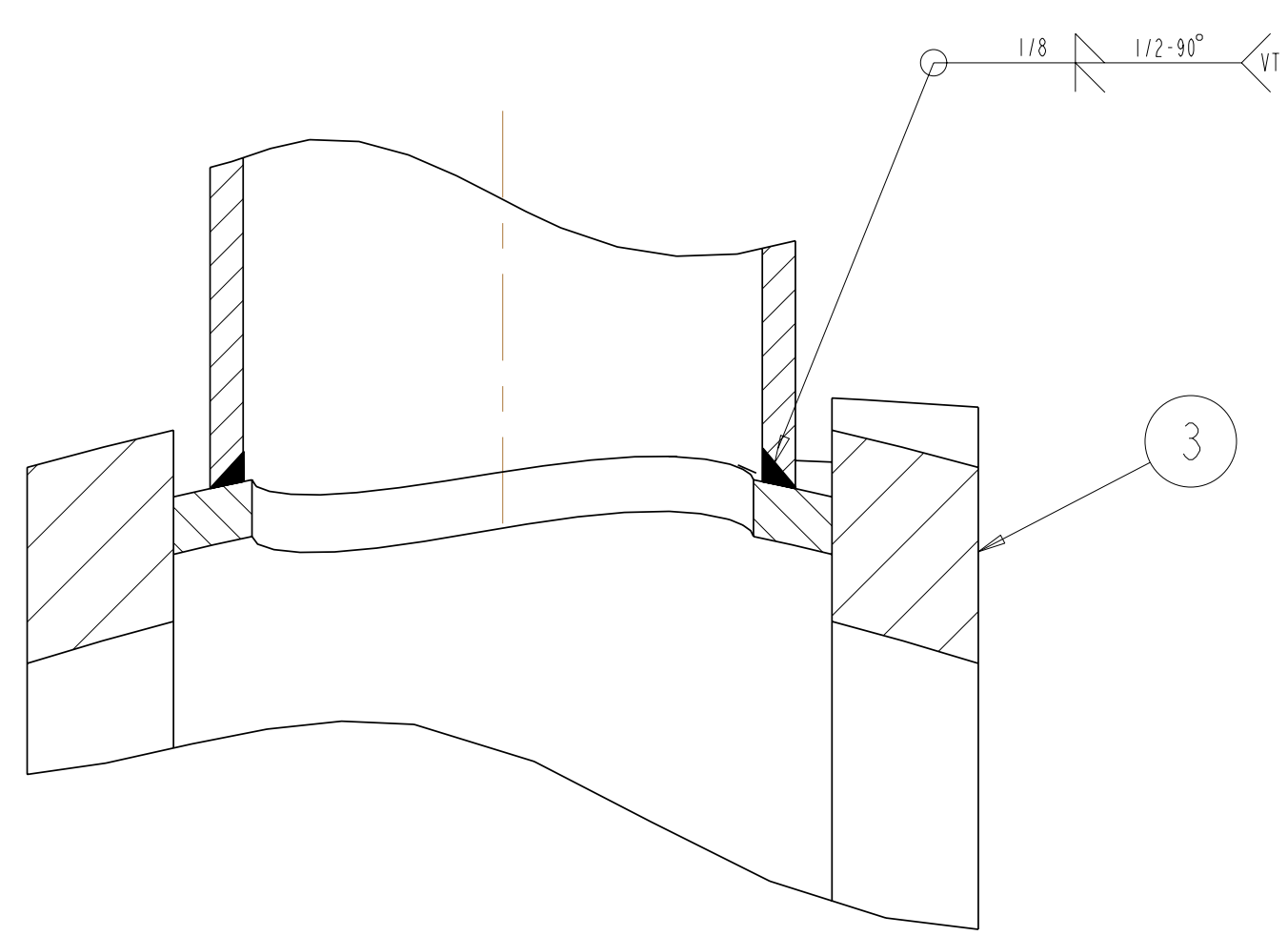


H
G
F
E
D
C
B
A

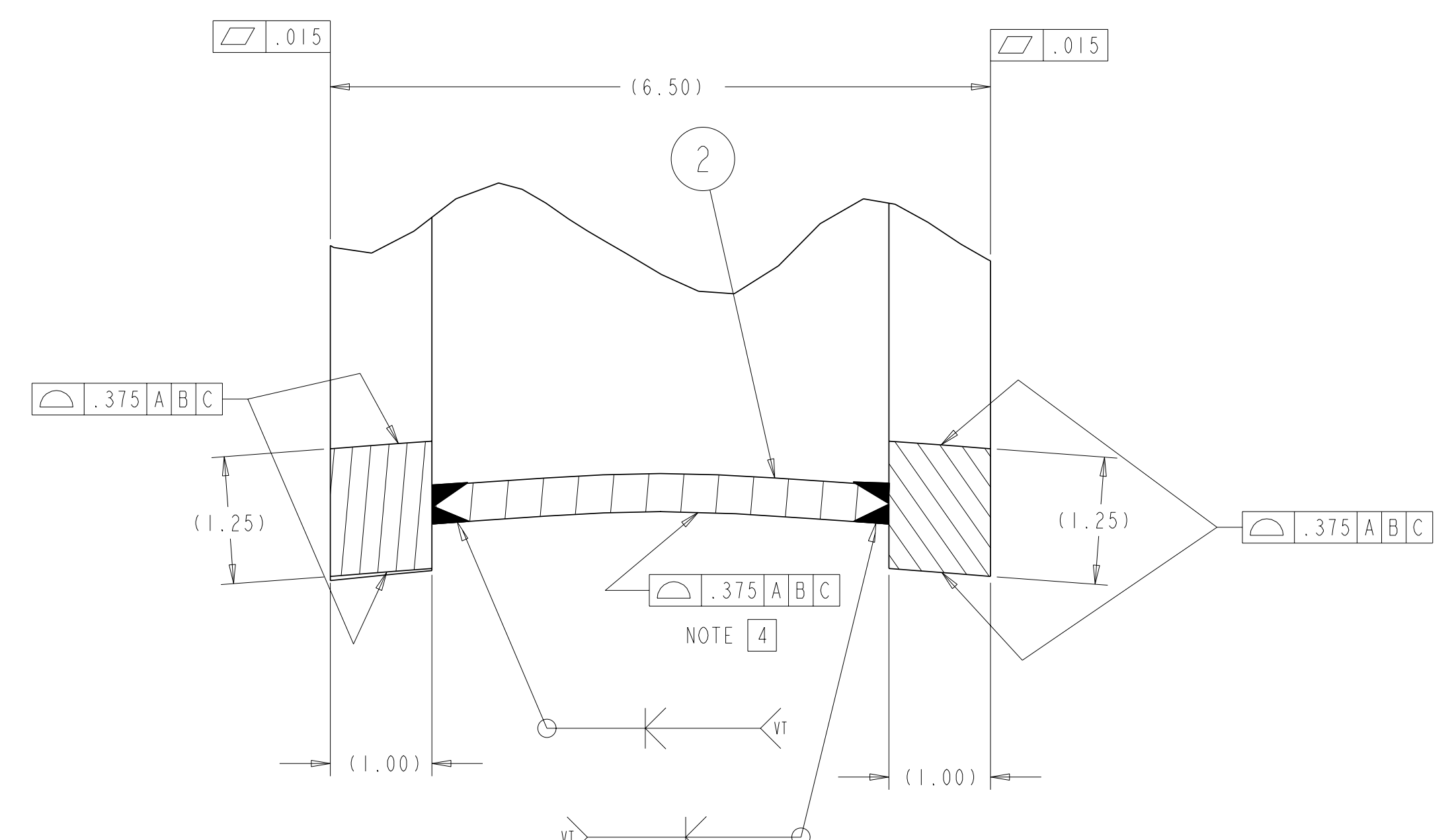
H
G
F
E
D
C
B
A



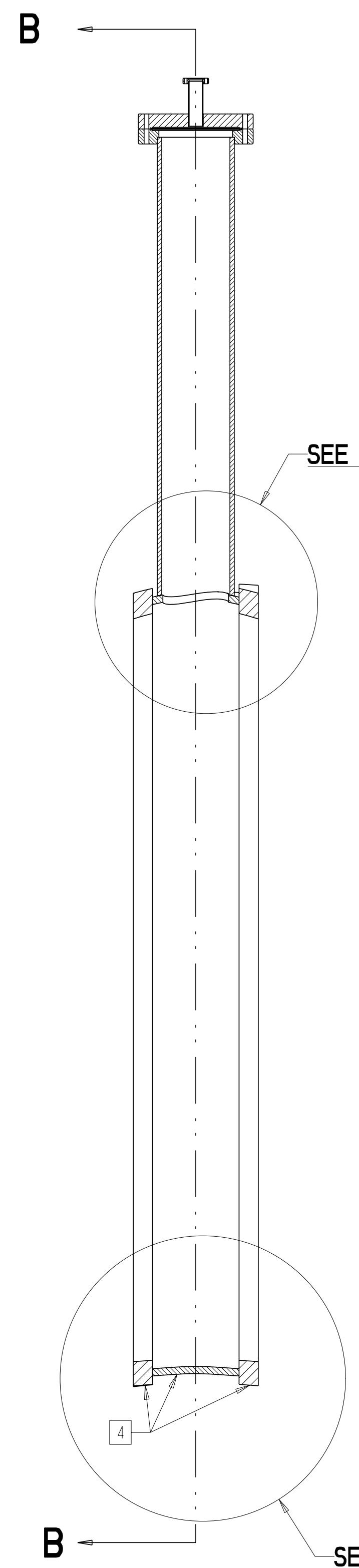
DETAIL E
SCALE 1.000



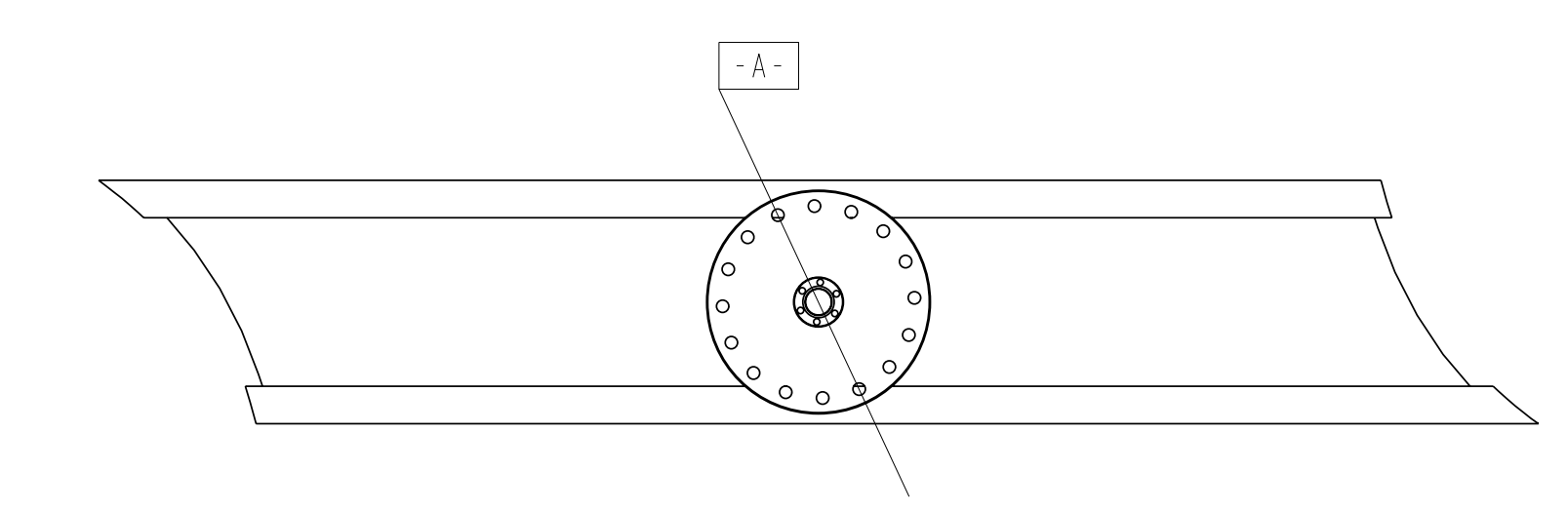
DETAIL D
SCALE 1.000



DETAIL C
SCALE 1.000



SECTION A-A



SECTION B-B
SCALE 0.250

- NOTES:
1. INTERPRET DIMENSIONS AND TOLERANCES PER ANSI Y14.5M.
 2. DIMENSION ARE IN INCHES.
 3. FABRICATION, INSPECTION, AND TESTING SHALL BE PERFORMED IN ACCORDANCE WITH SPECIFICATION NCSX-CSPEC-121-02 AND STATEMENT OF WORK NCSX-SOW-121-03.
 4. PROFILE TOLERANCE IS BILATERAL, i.e., ±0.1875 EITHER SIDE OF REFERENCE SURFACE.
 5. LEAK CHECK ITEM -8 (REDUCING NIPPLE) IS OPTIONAL. BLANK FLANGE MAY BE SUBSTITUTED.

REV	DESCRIPTION	BY	DATE	CHK	DEPT	DATE	PE	REQ	DATE	ORNL	DOE	DATE
1	ADDED NOTE 5											
2	REVISED PER ECN-4945	GHJ	2/20/04	MJC								

REV	DESCRIPTION	BY	DATE	CHK	DEPT	DATE	PE	REQ	DATE	ORNL	DOE	DATE
1	ADDED NOTE 5											
2	REVISED PER ECN-4945	GHJ	2/20/04	MJC								

REV	DESCRIPTION	BY	DATE	CHK	DEPT	DATE	PE	REQ	DATE	ORNL	DOE	DATE
1	ADDED NOTE 5											
2	REVISED PER ECN-4945	GHJ	2/20/04	MJC								

REV	DESCRIPTION	BY	DATE	CHK	DEPT	DATE	PE	REQ	DATE	ORNL	DOE	DATE
1	ADDED NOTE 5											
2	REVISED PER ECN-4945	GHJ	2/20/04	MJC								

REV	DESCRIPTION	BY	DATE	CHK	DEPT	DATE	PE	REQ	DATE	ORNL	DOE	DATE
1	ADDED NOTE 5											
2	REVISED PER ECN-4945	GHJ	2/20/04	MJC								

REV	DESCRIPTION	BY	DATE	CHK	DEPT	DATE	PE	REQ	DATE	ORNL	DOE	DATE
1	ADDED NOTE 5											
2	REVISED PER ECN-4945	GHJ	2/20/04	MJC								

REV	DESCRIPTION	BY	DATE	CHK	DEPT	DATE	PE	REQ	DATE	ORNL	DOE	DATE
1	ADDED NOTE 5											
2	REVISED PER ECN-4945	GHJ	2/20/04	MJC								

REV	DESCRIPTION	BY	DATE	CHK	DEPT	DATE	PE	REQ	DATE	ORNL	DOE	DATE
1	ADDED NOTE 5											
2	REVISED PER ECN-4945	GHJ	2/20/04	MJC								

REV	DESCRIPTION	BY	DATE	CHK	DEPT	DATE	PE	REQ	DATE	ORNL	DOE	DATE
1	ADDED NOTE 5											
2	REVISED PER ECN-4945	GHJ	2/20/04	MJC								

REV	DESCRIPTION	BY	DATE	CHK	DEPT	DATE	PE	REQ	DATE	ORNL	DOE	DATE
1	ADDED NOTE 5											
2	REVISED PER ECN-4945	GHJ	2/20/04	MJC								

REV	DESCRIPTION	BY	DATE	CHK	DEPT	DATE	PE	REQ	DATE	ORNL	DOE	DATE
1	ADDED NOTE 5											
2	REVISED PER ECN-4945	GHJ	2/20/04	MJC								

REV	DESCRIPTION	BY	DATE	CHK	DEPT	DATE	PE	REQ	DATE	ORNL	DOE	DATE
1	ADDED NOTE 5											
2	REVISED PER ECN-4945	GHJ	2/20/04	MJC								

REV	DESCRIPTION	BY	DATE	CHK	DEPT	DATE	PE	REQ	DATE	ORNL	DOE	DATE
1	ADDED NOTE 5											
2	REVISED PER ECN-4945	GHJ	2/20/04	MJC								

REV	DESCRIPTION	BY	DATE	CHK	DEPT	DATE	PE	REQ	DATE	ORNL	DOE	DATE
1	ADDED NOTE 5											
2	REVISED PER ECN-4945	GHJ	2/20/04	MJC								

REV	DESCRIPTION	BY	DATE	CHK	DEPT	DATE	PE	REQ	DATE	ORNL	DOE	DATE
1	ADDED NOTE 5											
2	REVISED PER ECN-4945	GHJ	2/20/04	MJC								

REV	DESCRIPTION	BY	DATE	CHK	DEPT	DATE	PE	REQ	DATE	ORNL	DOE	DATE
1	ADDED NOTE 5											
2	REVISED PER ECN-4945	GHJ	2/20/04	MJC								

REV	DESCRIPTION	BY	DATE	CHK	DEPT	DATE	PE	REQ	DATE	ORNL	DOE	DATE
1	ADDED NOTE 5											
2	REVISED PER ECN-4945	GHJ	2/20/04	MJC								

REV	DESCRIPTION	BY	DATE	CHK	DEPT	DATE	PE	REQ	DATE	ORNL	DOE	DATE
1	ADDED NOTE 5											
2	REVISED PER ECN-4945	GHJ	2/20/04	MJC								

REV	DESCRIPTION	BY	DATE	CHK	DEPT	DATE	PE	REQ	DATE	ORNL	DOE	DATE
1	ADDED NOTE 5											
2	REVISED PER ECN-4945	GHJ	2/20/04	MJC								

REV	DESCRIPTION	BY	DATE	CHK	DEPT	DATE	PE	REQ	DATE	ORNL	DOE	DATE
1	ADDED NOTE 5											
2	REVISED PER ECN-4945	GHJ	2/20/04	MJC								

REV	DESCRIPTION	BY	DATE	CHK	DEPT	DATE	PE	REQ	DATE	ORNL	DOE	DATE
1	ADDED NOTE 5											
2	REVISED PER ECN-4945	GHJ	2/20/04	MJC								

REV	DESCRIPTION	BY	DATE	CHK	DEPT	DATE	PE	REQ	DATE	ORNL	DOE	DATE
1	ADDED NOTE 5											
2	REVISED PER ECN-4945	GHJ	2/20/04	MJC								

REV	DESCRIPTION	BY	DATE	CHK	DEPT	DATE	PE	REQ	DATE	ORNL	DOE	DATE
1	ADDED NOTE 5											
2	REVISED PER ECN-4945	GHJ	2/20/04	MJC								

REV	DESCRIPTION	BY	DATE	CHK	DEPT	DATE	PE	REQ	DATE	ORNL	DOE	DATE
1	ADDED NOTE 5											
2	REVISED PER ECN-4945	GHJ	2/20/04	MJC								

REV	DESCRIPTION	BY	DATE	CHK	DEPT	DATE	PE	REQ	DATE	ORNL	DOE	DATE
1	ADDED NOTE 5											
2	REVISED PER ECN-4945	GHJ	2/20/04	MJC								

REV	DESCRIPTION	BY	DATE	CHK	DEPT	DATE	PE	REQ	DATE	ORNL	DOE	DATE
1	ADDED NOTE 5											
2	REVISED PER ECN-4945	GHJ	2/20/04	MJC								

REV	DESCRIPTION	BY	DATE	CHK	DEPT	DATE	PE	REQ	DATE	ORNL	DOE	DATE
1	ADDED NOTE 5											
2	REVISED PER ECN-4945	GHJ	2/20/04	MJC								

REV	DESCRIPTION	BY	DATE	CHK	DEPT	DATE	PE	REQ	DATE	ORNL	DOE	DATE
1	ADDED NOTE 5											
2	REVISED PER ECN-4945	GHJ	2/20/04	MJC								

REV	DESCRIPTION	BY	DATE	CHK	DEPT	DATE	PE	REQ	DATE	ORNL	DOE	DATE
1	ADDED NOTE 5											
2	REVISED PER ECN-4945	GHJ	2/20/04	MJC								

REV	DESCRIPTION	BY	DATE	CHK	DEPT	DATE	PE	REQ	DATE	ORNL	DOE	DATE
1	ADDED NOTE 5											
2	REVISED PER ECN-4945	GHJ	2/20/04	MJC								

REV	DESCRIPTION	BY	DATE	CHK	DEPT	DATE	PE	REQ	DATE	ORNL	DOE	DATE
1	ADDED NOTE 5											
2	REVISED PER ECN-4945	GHJ	2/20/04	MJC								

REV	DESCRIPTION	BY	DATE	CHK	DEPT	DATE	PE	REQ	DATE	ORNL	DOE	DATE
1	ADDED NOTE 5											
2	REVISED PER ECN-4945	GHJ	2/20/04	MJC								

REV	DESCRIPTION	BY	DATE	CHK	DEPT	DATE	PE	REQ	DATE	ORNL	DOE	DATE
1	ADDED NOTE 5											
2	REVISED PER ECN-4945	GHJ	2/20/04	MJC								

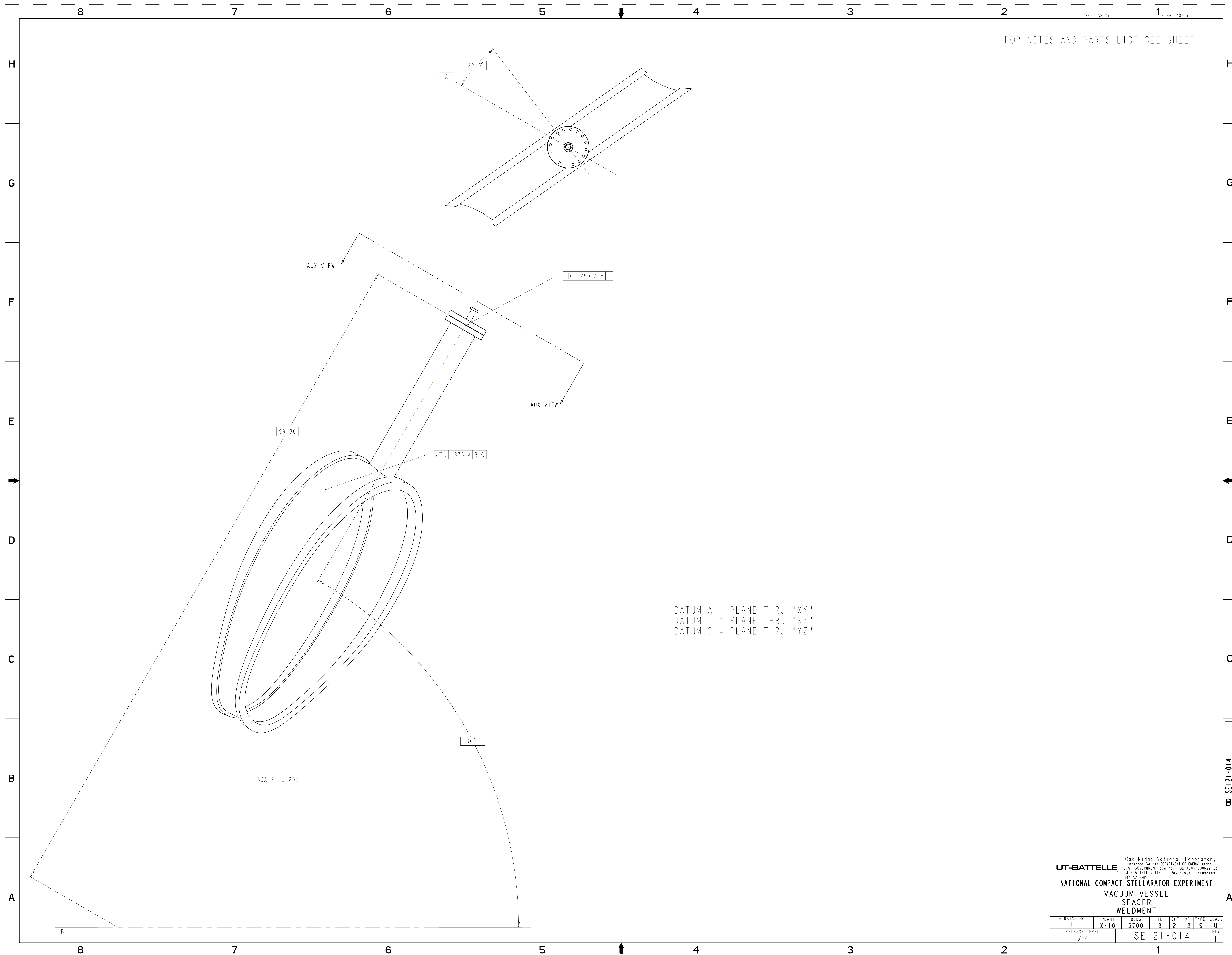
REV	DESCRIPTION	BY	DATE	CHK	DEPT	DATE	PE	REQ	DATE	ORNL	DOE	DATE
1	ADDED NOTE 5											
2	REVISED PER ECN-4945	GHJ	2/20/04	MJC								

REV	DESCRIPTION	BY	DATE	CHK	DEPT	DATE	PE	REQ	DATE	ORNL	DOE	DATE
1	ADDED NOTE 5											
2	REVISED PER ECN-4945	GHJ	2/20/04	MJC								

REV	DESCRIPTION	BY	DATE	CHK	DEPT	DATE	PE	REQ	DATE	ORNL	DOE	DATE
1	ADDED NOTE 5											
2	REVISED PER ECN-4945	GHJ	2/20/04	MJC								

REV	DESCRIPTION	BY	DATE	CHK	DEPT	DATE	PE	REQ	DATE	ORNL	DOE	DATE
1	ADDED NOTE 5											
2	REVISED PER ECN-4945	GHJ	2/20/04	MJC								

REV	DESCRIPTION	BY	
-----	-------------	----	--



FOR NOTES AND PARTS LIST SEE SHEET 1

DATUM A = PLANE THRU "XY"
 DATUM B = PLANE THRU "XZ"
 DATUM C = PLANE THRU "YZ"

SCALE 0.250

UT-BATTELLE		Oak Ridge National Laboratory managed for the DEPARTMENT OF ENERGY U.S. GOVERNMENT CONTRACT NO. AC05-84OR21400 UT-BATTELLE, LLC, Oak Ridge, Tennessee	
NATIONAL COMPACT STELLARATOR EXPERIMENT			
VACUUM VESSEL SPACER WELDMENT			
VERSION NO.	PLANT	BLDG	FL SHT OF TYPE CLASS
	X-10	5700	3 2 2 S U
RELEASE LEVEL	SEI 21-014		REV
WIP			I

UT-SEI21-014