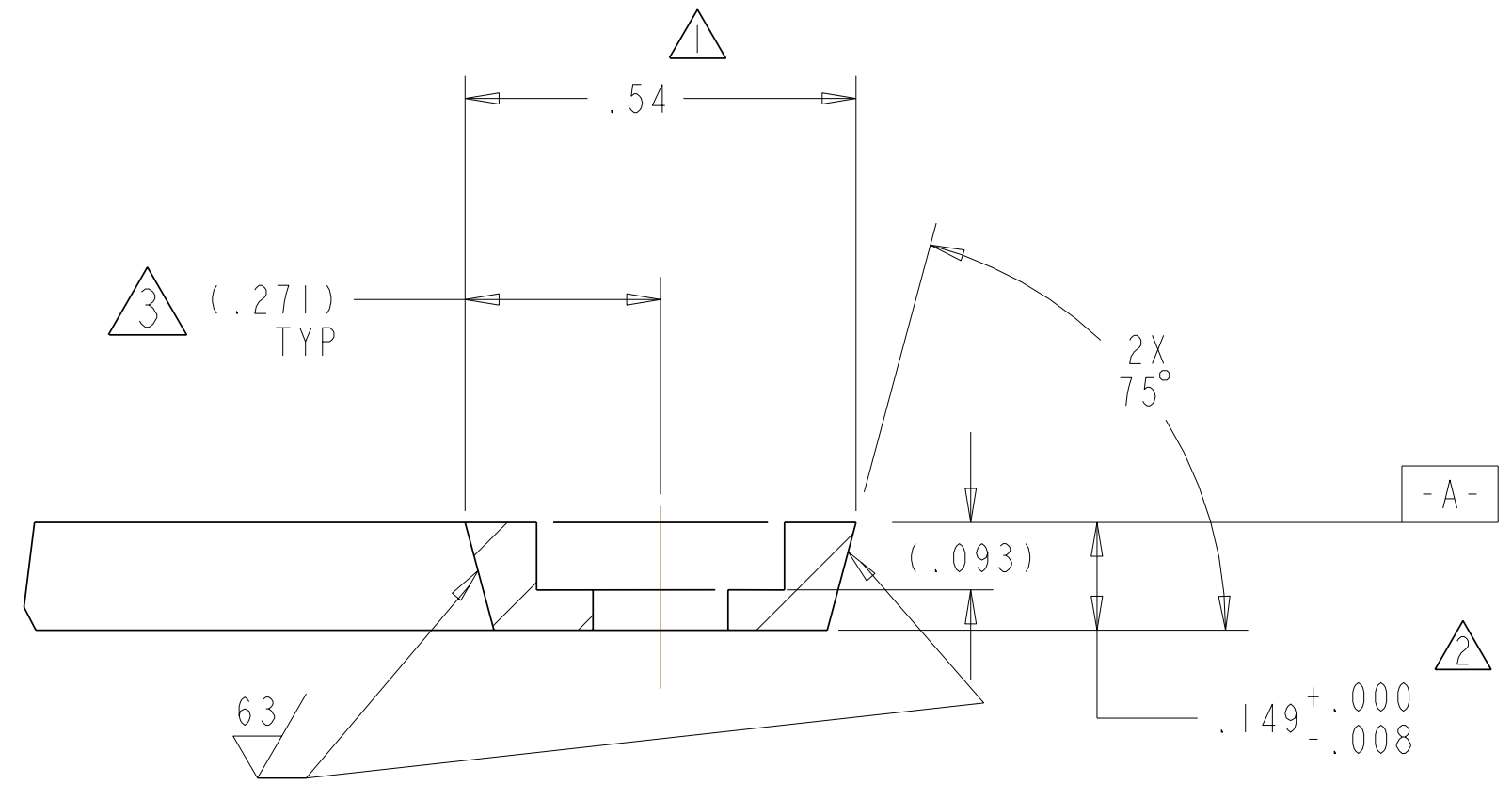
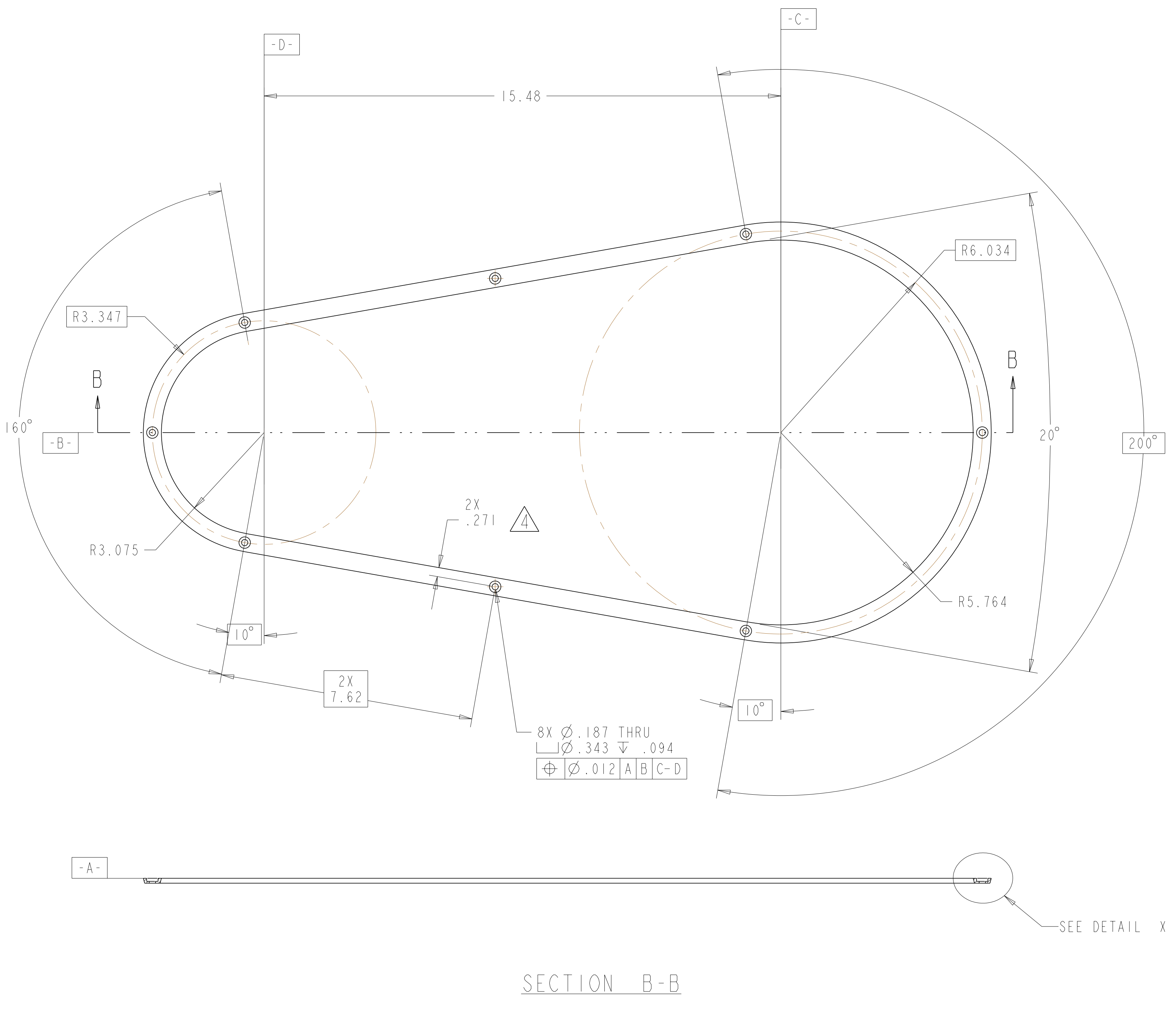
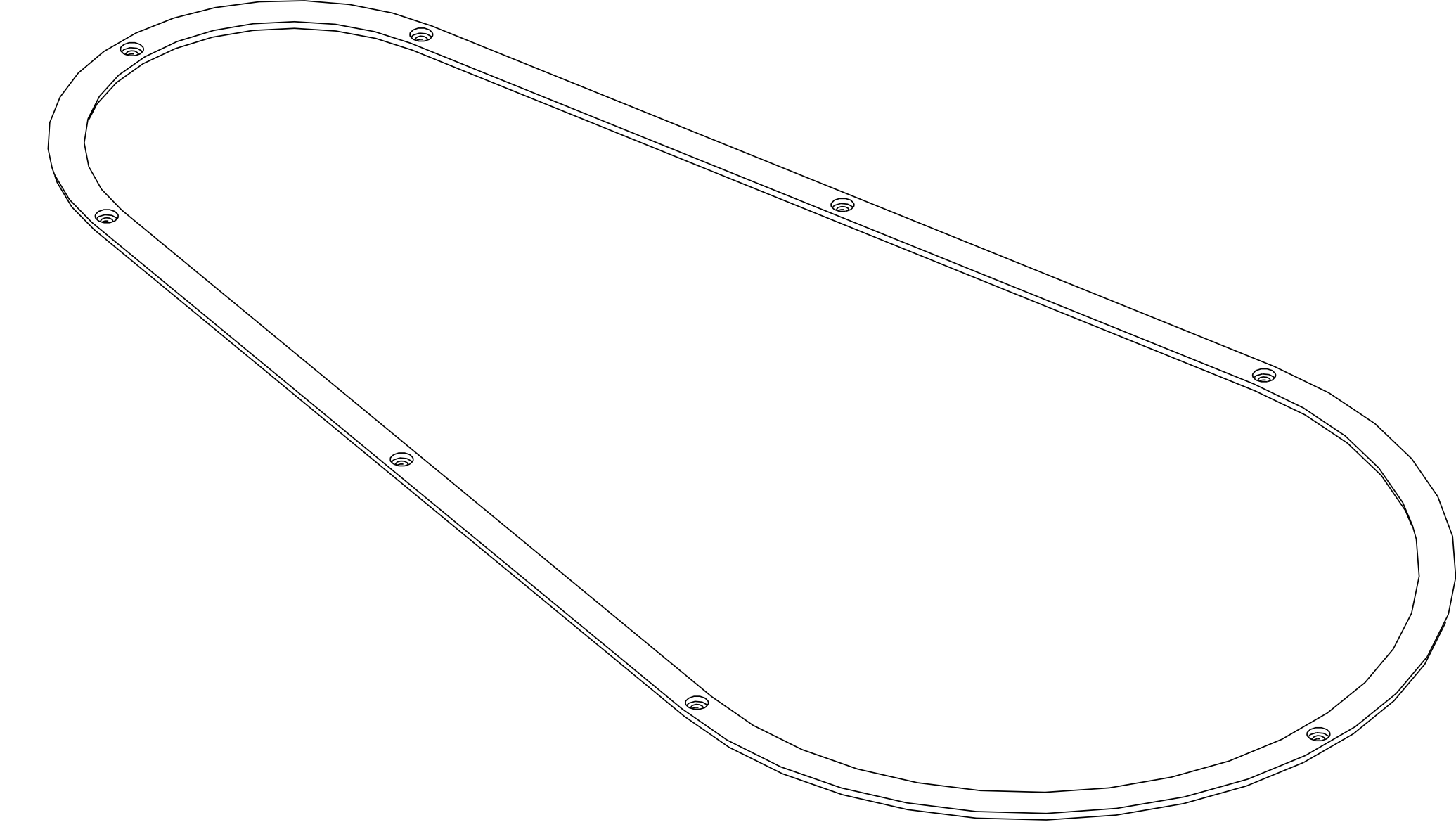


- NOTES:
1. INTERPRET DIMENSIONS AND TOLERANCES PER ANSI Y14.5M
  2. DIMENSIONS ARE IN INCHES
  3. FABRICATION, INSPECTION, AND TESTING SHALL BE PERFORMED IN ACCORDANCE WITH SPECIFICATION NCSX-CSPEC-121-02 AND STATEMENT OF WORK NCSX-SOW-121-03.



DETAIL X  
SCALE 4.00



ISOMETRIC VIEW

SCALE: 0.50

next assy	AR	CAGE CODE	PART OR IDENTIFYING NO	NOMENCLATURE OR DESCRIPTION	MATERIAL	SPECIFICATION	FIND NO
SEE 120-004	-1		PORT 12 SEAL RETAINER DETAIL	SS 316L			

← NEXT ASSEMBLY

PARTS LIST

NO REPRESENTATION OR WARRANTY, EXPRESSED OR IMPLIED, IS MADE AS TO THE ACCURACY, COMPLETENESS OR USEFULNESS OF THE INFORMATION OR STATEMENTS CONTAINED IN THESE DRAWINGS, OR THAT THE USE OR DISCLOSURE OF ANY INFORMATION, APPARATUS, METHOD OR PROCESS DISCLOSED IN THESE DRAWINGS MAY NOT INFRINGE PRIVATE RIGHTS OF OTHERS. NO LIABILITY IS ASSUMED WITH RESPECT TO THE USE OF, OR FOR DAMAGES RESULTING FROM THE USE OF, ANY INFORMATION, APPARATUS, METHOD OR PROCESS DISCLOSED IN THESE DRAWINGS. DRAWINGS MADE AVAILABLE FOR INFORMATION TO BIDDER ARE NOT TO BE USED FOR OTHER PURPOSES, AND ARE TO BE RETURNED UPON REQUEST OF THE FORWARDING CONTRACTOR.

**P** THIS DRAWING PRODUCED ON PRO-ENGINEER

REV	DESCRIPTION	BY	DATE	CHK	DEPT	DATE	PE	REQ	DATE	ORNL	DOE	DATE
2	REVISD PER ECN-4945 CHG DIM TO REF Δ ADDED DIM REVISD PER ECN-4933	GHJ	2/28/05	MJC								
1	Δ TOLERANCE WAS +.000 - .003 DIMENSION WAS .541	MJC	11/02/04	PLG								

SCALE	NOTED	DES	DATE
		P. GORANSON	5-27-04
		G. LOVETT	5-27-04
		MT BROWN	6-01-04

VERSION NO.	PLANT	BLDG	FL	SHT OF	TYPE	CLASS
1	X-10	5700	3	1	S	U

UT-BATTELLE  
 NATIONAL COMPACT STELLARATOR EXPERIMENT  
 VACUUM VESSEL  
 PORT 12 SEAL RETAINER  
 DETAIL

PPPL DRFT J. SIEGEL 6/04  
 RELEASE LEVEL WIP  
 SEI22-019  
 REV 2

SEI22-019