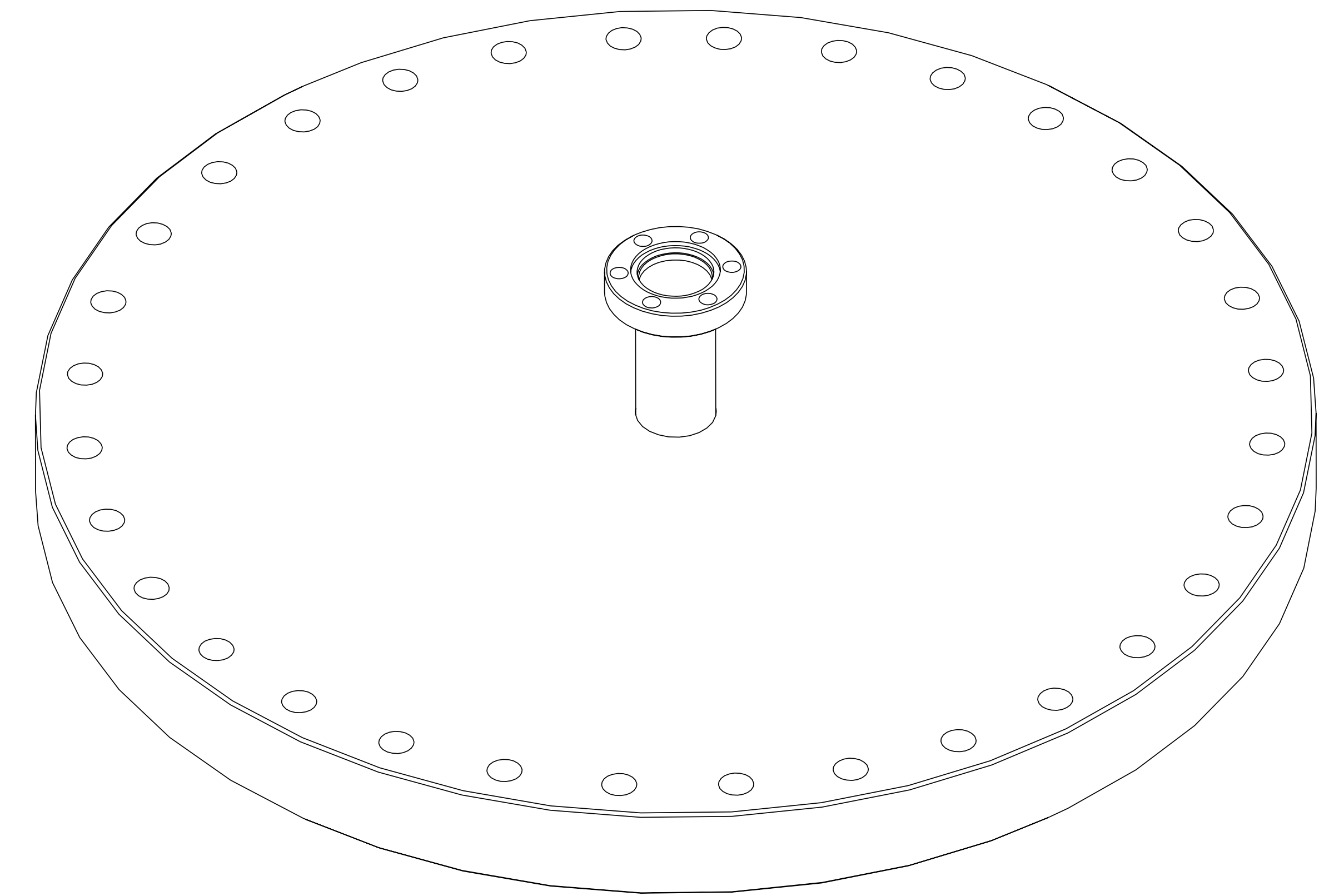
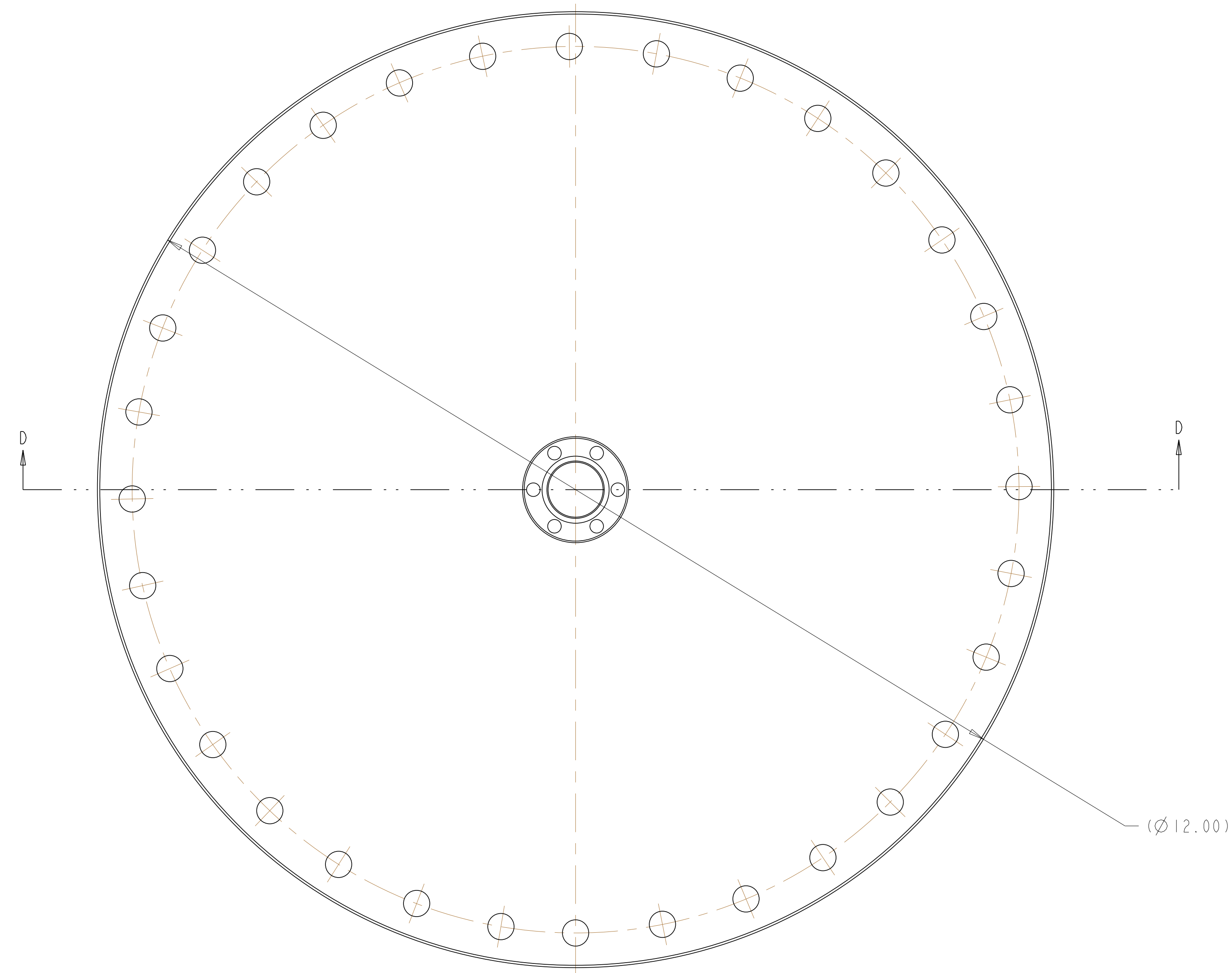
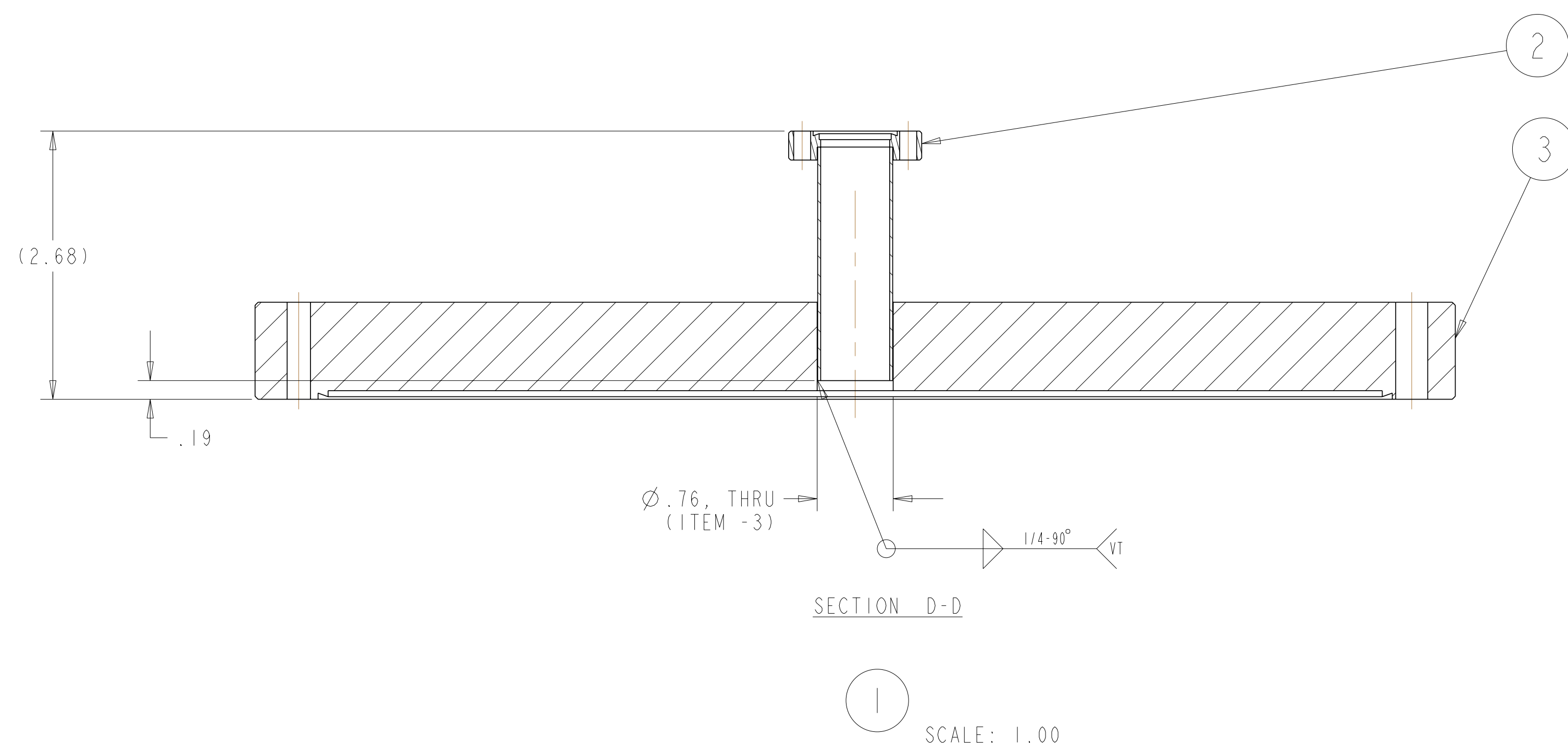


NOTES:

- 1. INTERPRET DIMENSIONS AND TOLERANCES PER ANSI Y14.5M.
- 2. DIMENSION ARE IN INCHES.
- 3. FABRICATION, INSPECTION, AND TESTING SHALL BE PERFORMED IN ACCORDANCE WITH SPECIFICATION NCSX-CSPEC-121-02 AND STATEMENT OF WORK NCSX-SOW-121-03.
- △ 4. LEAK CHECK ITEM -2 (HALF NIPPLE) IS OPTIONAL.



ISOMETRIC VIEW



SECTION D-D

SCALE: 1.00

REV	DESCRIPTION	BY	DATE	CHK	DEPT	DATE	PE	REQ	DATE	ORNL	DOE	DATE
I	△ ADDED NOTE 4											
REV	REVISION OR ISSUE PURPOSE	BY	DATE	CHK	DEPT	DATE	PE	REQ	DATE	ORNL	DOE	DATE
REV	REVISION OR ISSUE PURPOSE	BY	DATE	CHK	DEPT	DATE	PE	REQ	DATE	ORNL	DOE	DATE

CAGE CODE	PART OR IDENTIFYING NO	NOMENCLATURE OR DESCRIPTION	MATERIAL	SPECIFICATION	FIND NO
AR	-4	WELD, FILLER METAL			4
I	110058	Ø12 NON-ROTATABLE BLANK DEL-SEAL CF FLANGE	MDC VACUUM PRODUCTS CORP. 23842 CABBOT BOULEVARD HAYWARD, CA. 94545-1651 OR EQUIVALENT		3
I	401021	HALF NIPPLE 1/3 DEL-SEAL CF CUSTOM LENGTH 2.50"			2
AR	X	-1	12 IN COVER TEST FLANGE WELDMENT		1
SE120-004	-	NEXT ASSEMBLY	PARTS LIST		

WELDING ENGINEER

APPROVED R. PARSELLS DATE: 6/04

SCALE NOTED

TOLERANCES UNLESS OTHERWISE SPECIFIED:
 FRACTIONS ± .01
 XX DECIMALS ± .01
 XXX DECIMALS ± .005
 ANGLES ± 0°15'
 BREAK SHARP EDGES .06 MAX
 FINISH .125 UNLESS OTHERWISE SPECIFIED

DES: PL GORANSON 8/03
 DRW: G.H. JONES 8/03
 CHK: D SPARKS 6/04
 SECT: :
 DEPT: :
 PE: :
 CR: :
 PJ: :
 REQ: :
 PPPL DRFT J. SIEGEL 6/04
 : :
 : :

UT-BATTELLE
 NATIONAL COMPACT STELLARATOR EXPERIMENT
 VACUUM VESSEL
 12 IN COVER TEST FLANGE
 DETAIL

Oak Ridge National Laboratory managed for the DEPARTMENT OF ENERGY under U.S. GOVERNMENT contract DE-AC05-00OR22725 UT-BATTELLE, LLC. Oak Ridge, Tennessee
 PROJECT NAME

VERSION NO.	PLANT	BLDG	FL	SHT OF	TYPE	CLASS
I	X-10	5700	03	1	I	S

RELEASE LEVEL: WIP
 DRAWING APPROVALS: DATE: SE122-112
 REV I

NO REPRESENTATION OR WARRANTY, EXPRESSED OR IMPLIED, IS MADE AS TO THE ACCURACY, COMPLETENESS OR USEFULNESS OF THE INFORMATION OR STATEMENTS CONTAINED IN THESE DRAWINGS, OR THAT THE USE OR DISCLOSURE OF ANY INFORMATION, APPARATUS, METHOD OR PROCESS DISCLOSED IN THESE DRAWINGS MAY NOT INFRINGE PRIVATE RIGHTS OF OTHERS. NO LIABILITY IS ASSUMED WITH RESPECT TO THE USE OF, OR FOR DAMAGES RESULTING FROM THE USE OF, ANY INFORMATION, APPARATUS, METHOD OR PROCESS DISCLOSED IN THESE DRAWINGS. DRAWINGS MADE AVAILABLE FOR INFORMATION TO BIDDER ARE NOT TO BE USED FOR OTHER PURPOSES, AND ARE TO BE RETURNED UPON REQUEST OF THE FORWARDING CONTRACTOR.

P THIS DRAWING PRODUCED ON PRO-ENGINEER

SE122-112

A