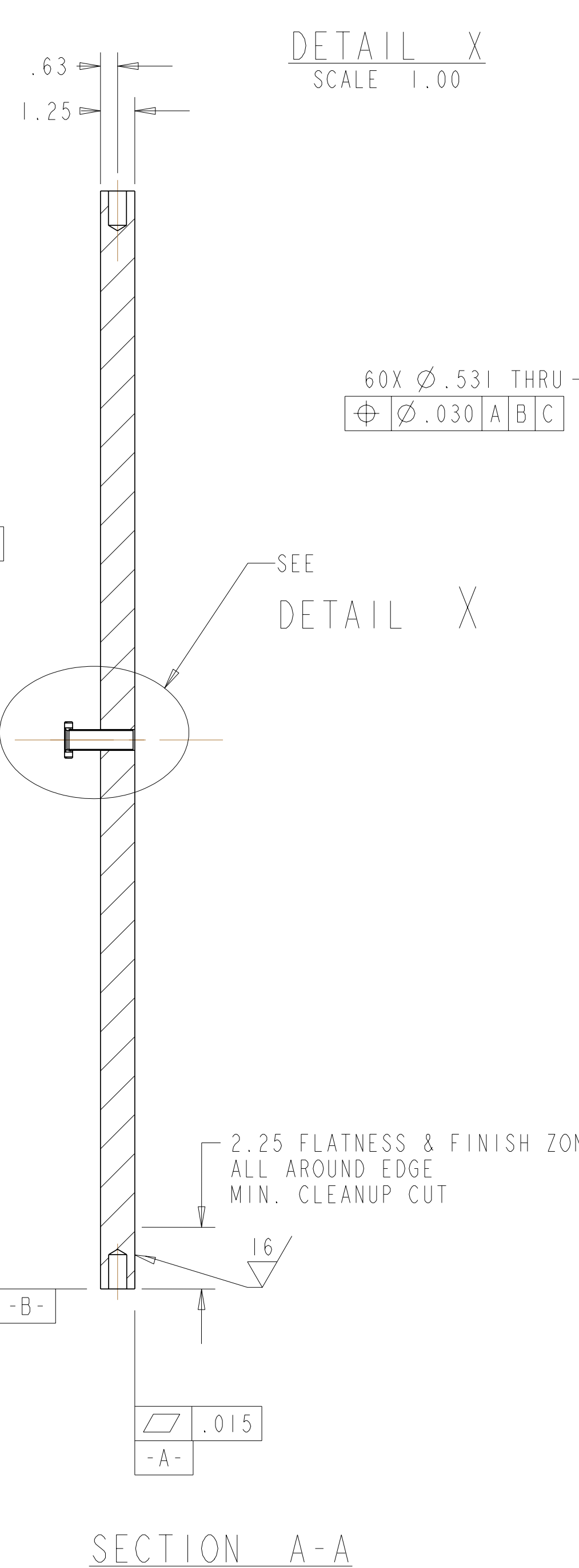
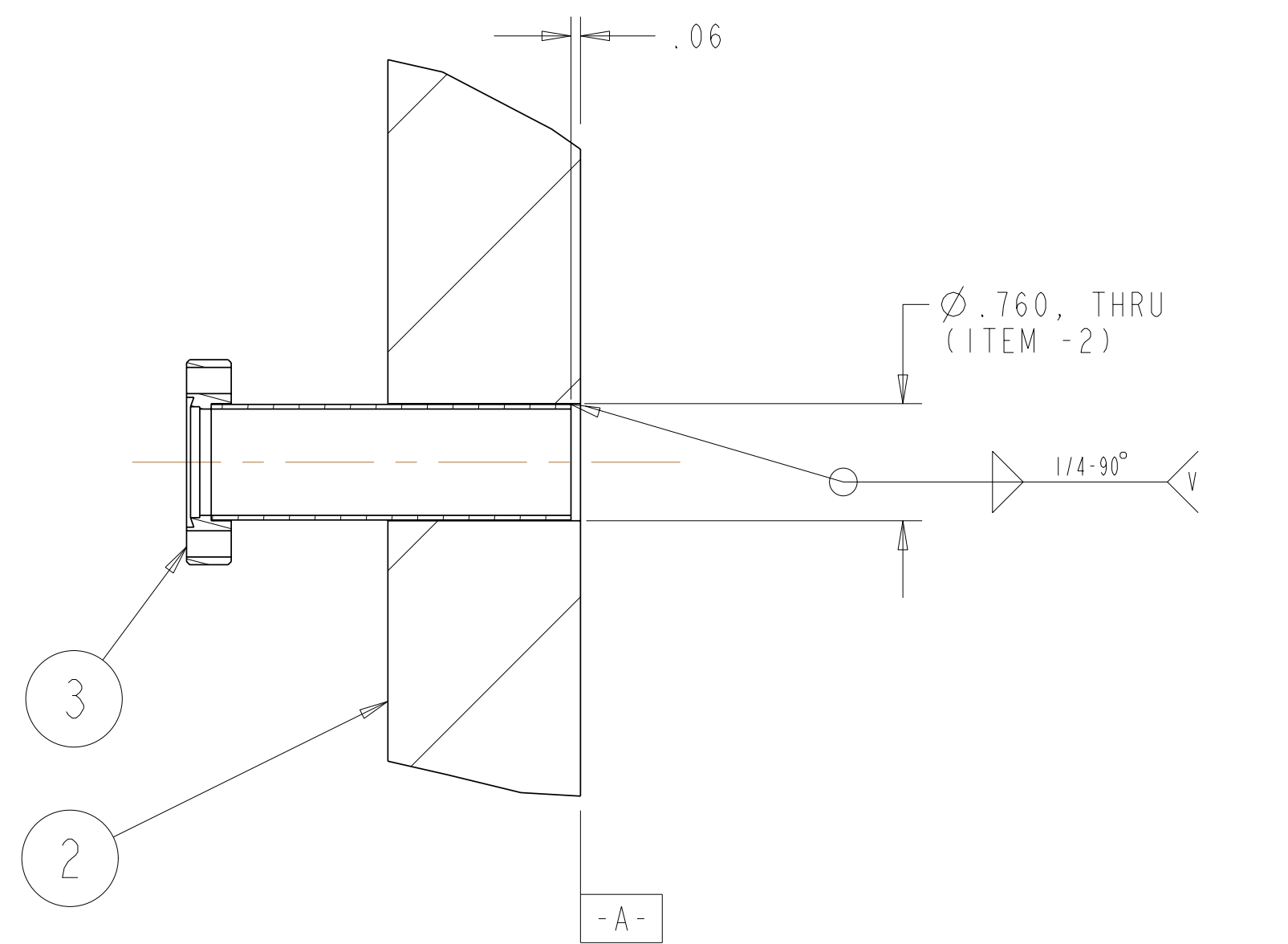
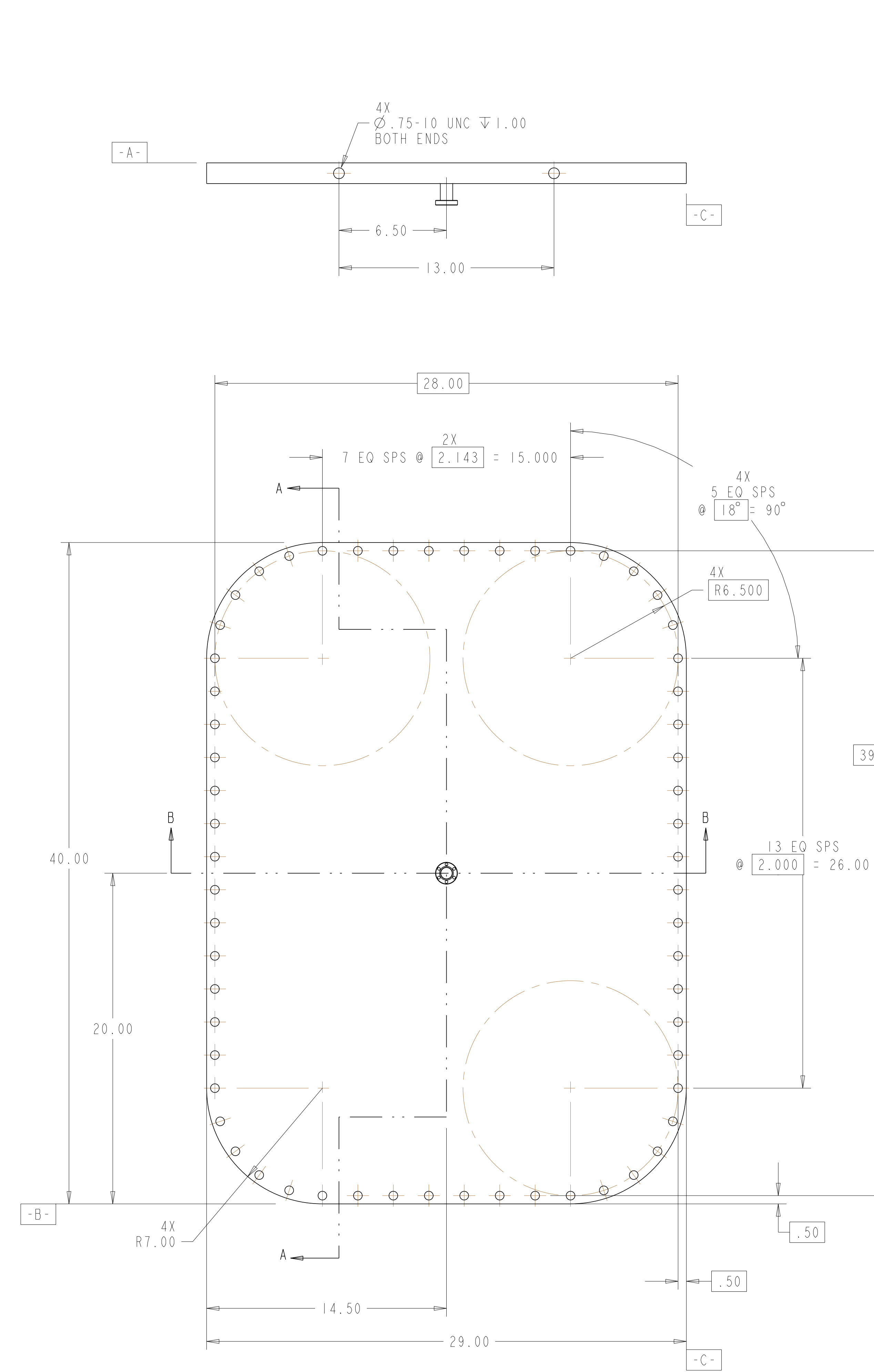
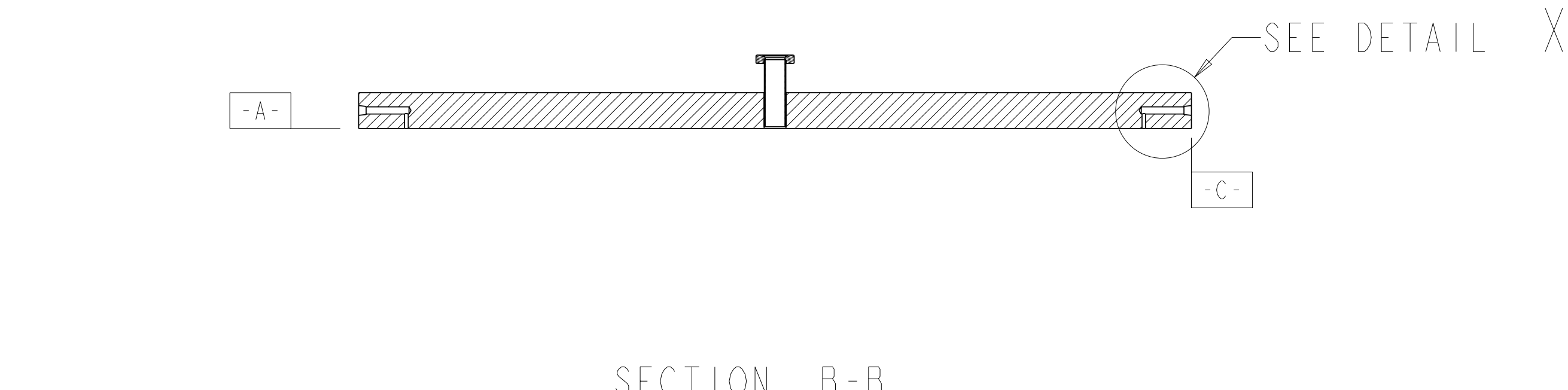


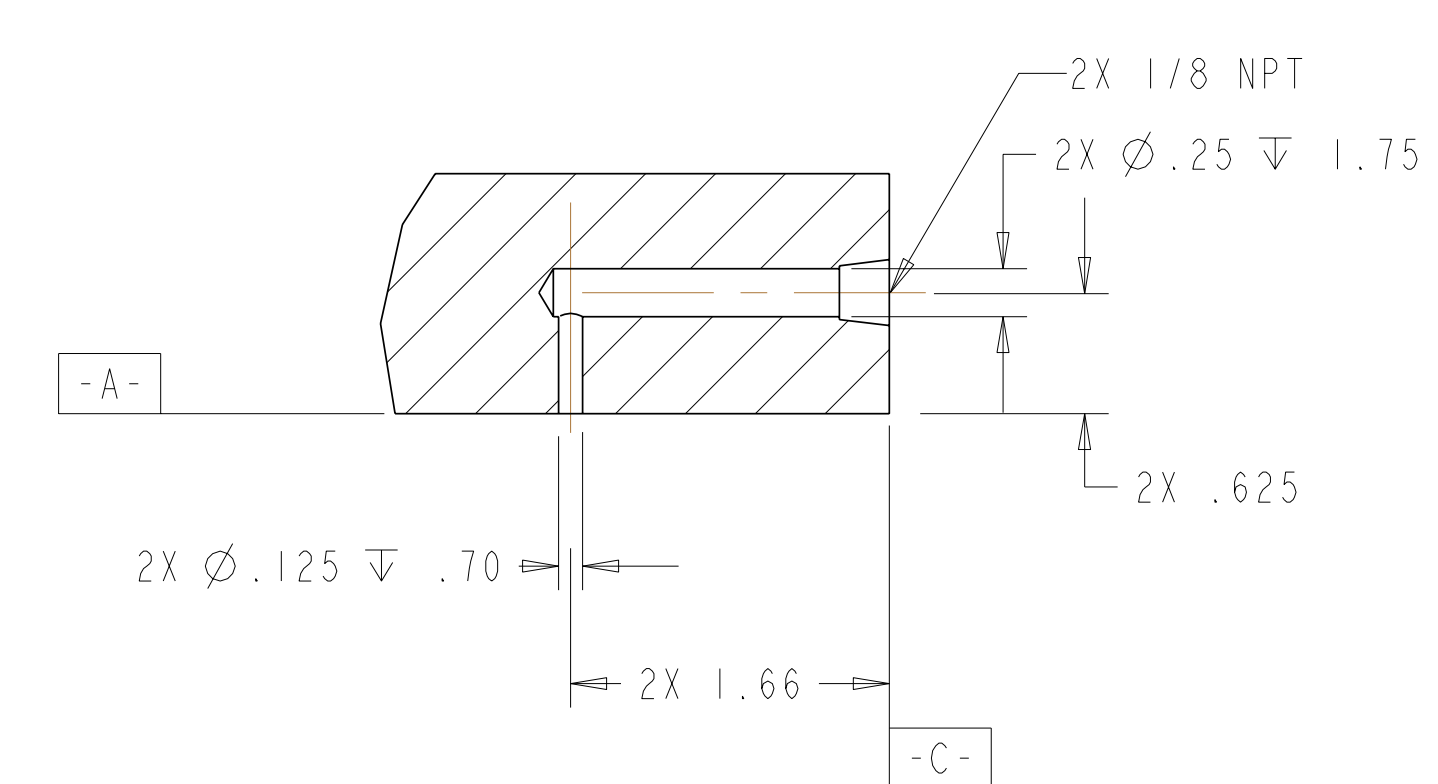
- NOTES:
1. INTERPRET DIMENSIONS AND TOLERANCES PER ANSI Y14.5M.
  2. DIMENSION ARE IN INCHES.
  3. FABRICATION, INSPECTION, AND TESTING SHALL BE PERFORMED IN ACCORDANCE WITH SPECIFICATION NCSX-CSPEC-121-02 AND STATEMENT OF WORK NCSX-SOW-121-03.
  4. LEAK CHECK OF ITEM -3 (HALF NIPPLE) OPTIONAL.



DETAIL X  
SCALE 1.00



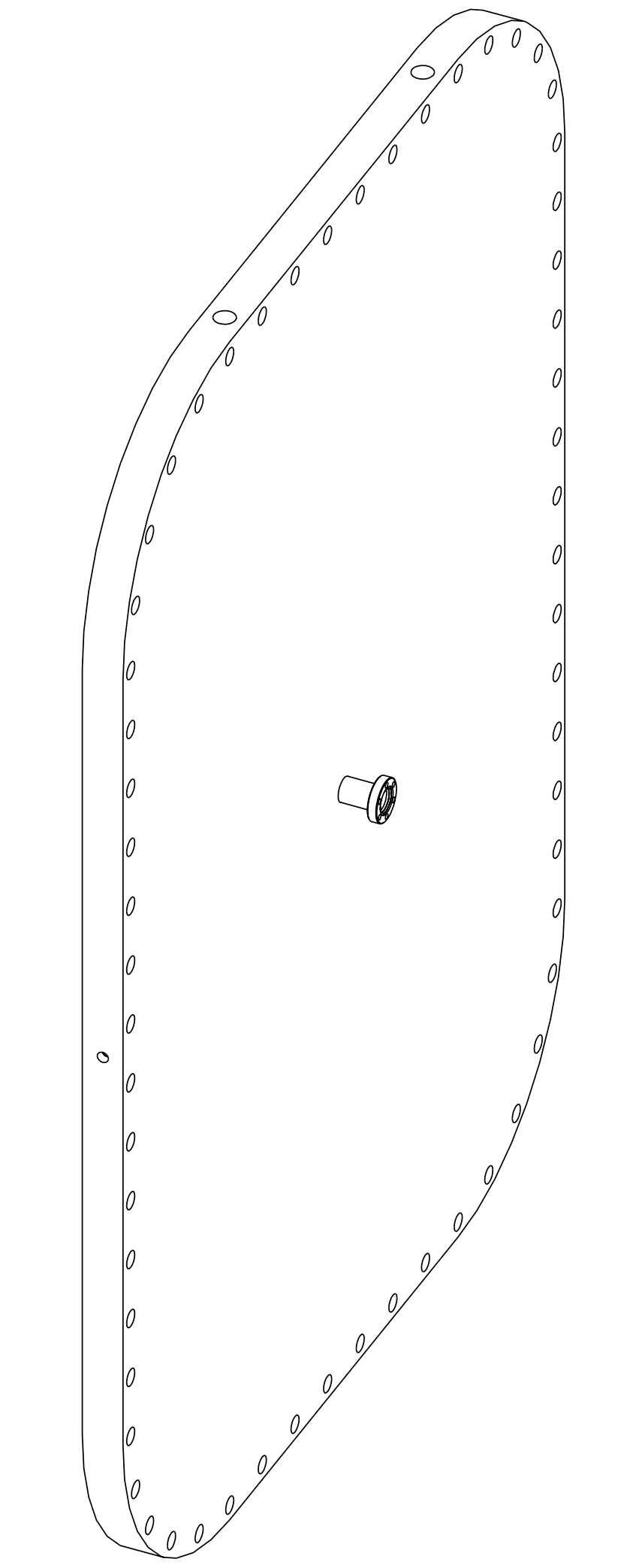
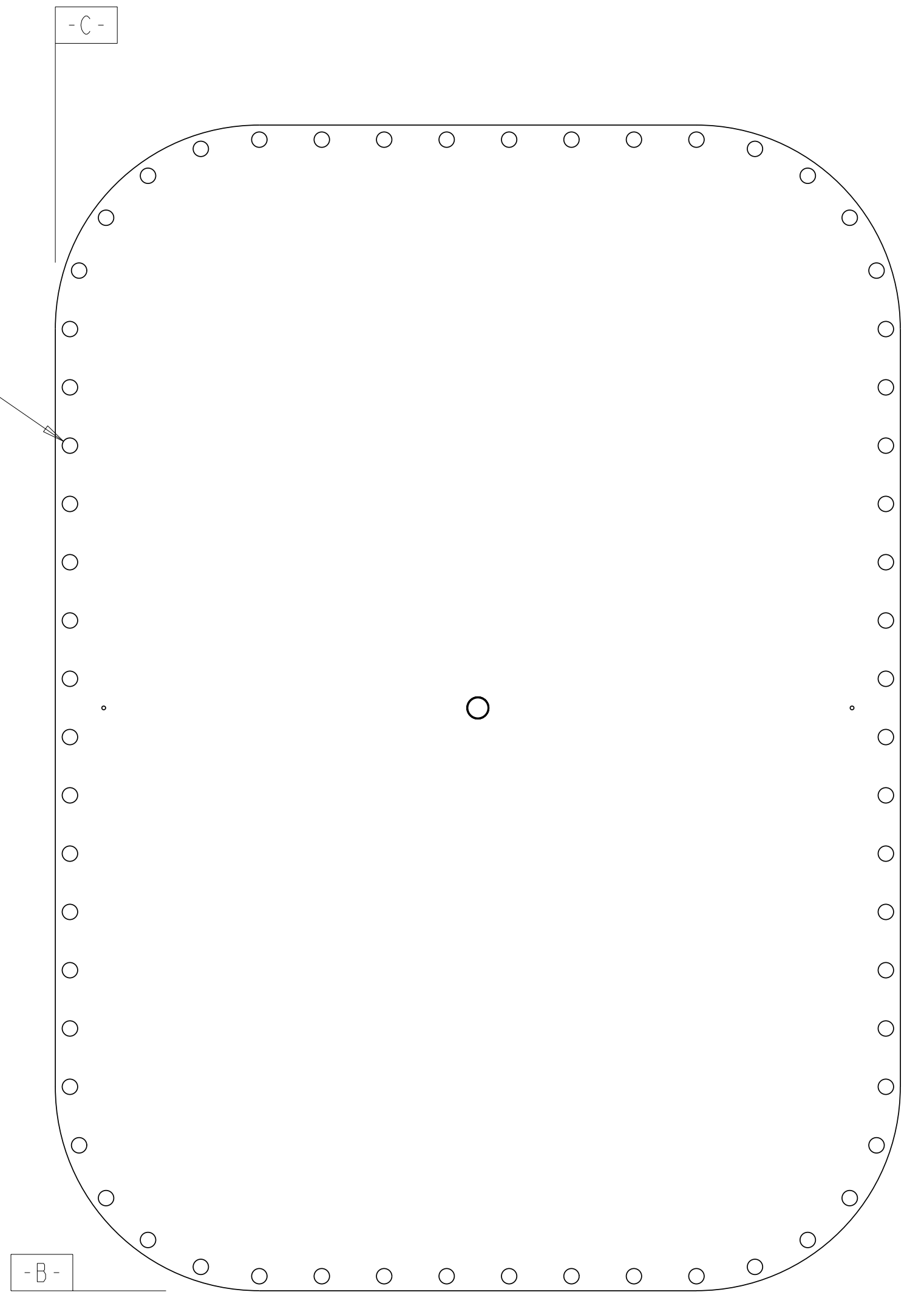
SECTION B-B



SCALE: .25

DETAIL X  
SCALE 1.00

WELDING ENGINEER  
 APPROVED R. PARSELLS DATE: 6/09



ISOMETRIC VIEW

AR	CAGE CODE	PART OR IDENTIFYING NO	NOMENCLATURE OR DESCRIPTION	MATERIAL	SPECIFICATION	FIND NO
		-4	WELD FILLER METAL			4
		-3	HALF NIPPLE 1 1/3 DEL-SEAL CF CUSTOM LENGTH = 2.50"	NDC VACUUM PRODUCTS CORP. 23842 CABOT BOULEVARD, HAYWARD CA. 94545-1615		3
		-2	PORT 4 COVER TEST FLANGE	316L SST		2
		-1	PORT 4 COVER TEST FLANGE WELDMENT			1
SE120-004			NEXT ASSEMBLY			

PARTS LIST

NO REPRESENTATION OR WARRANTY, EXPRESSED OR IMPLIED, IS MADE AS TO THE ACCURACY, COMPLETENESS OR USEFULNESS OF THE INFORMATION OR STATEMENTS CONTAINED IN THESE DRAWINGS, OR THAT THE USE OR DISCLOSURE OF ANY INFORMATION, APPARATUS, METHOD OR PROCESS DISCLOSED IN THESE DRAWINGS MAY NOT INFRINGE PRIVATE RIGHTS OF OTHERS. NO LIABILITY IS ASSUMED WITH RESPECT TO THE USE OF, OR FOR DAMAGES RESULTING FROM THE USE OF, ANY INFORMATION, APPARATUS, METHOD OR PROCESS DISCLOSED IN THESE DRAWINGS. DRAWINGS MADE AVAILABLE FOR INFORMATION TO BIDDER ARE NOT TO BE USED FOR OTHER PURPOSES, AND ARE TO BE RETURNED UPON REQUEST OF THE FORWARDING CONTRACTOR.

**P** THIS DRAWING PRODUCED ON PRO-ENGINEER

REV	DESCRIPTION	BY	DATE	CHK	DEPT	DATE	PE	REQ	DATE	ORNL	DOE	DATE
1	ADDED NOTE 4											
2	REVISED PER ECN-4945	GHJ	2/28/05	MJC								

SCALE	NOTED	DES	PL	GORANSON	8/03
		DRW	G.H. JONES	8/03	
		CHK	D SPARKS	6/04	
		SECT			
		DEPT			
		PE			
		CR			
		PJ			
		REQ			
		PPPL	DRFT J. SIEGEL	6/04	

VERSION NO.	PLANT	BLDG	FL	SHT OF	TYPE	CLASS
	X-10	5700	03	1	A	U

UT-BATTELLE  
 NATIONAL COMPACT STELLARATOR EXPERIMENT  
 VACUUM VESSEL  
 PORT 4 COVER TEST FLANGE  
 WELDMENT

SE122-149  
 WIP

H  
G  
F  
E  
D  
C  
B  
A