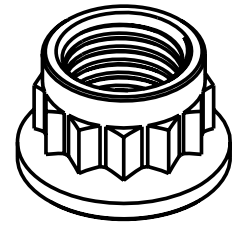
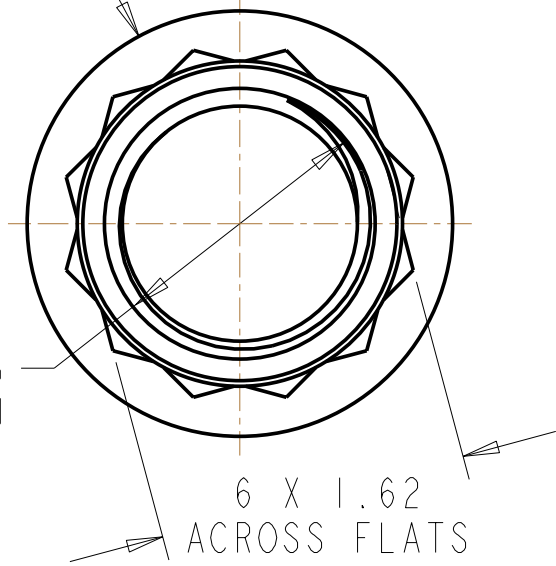
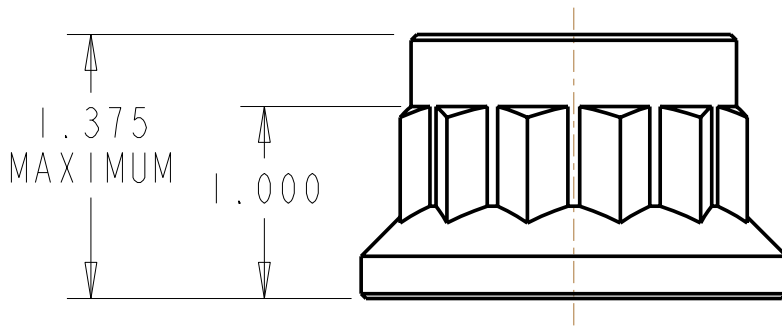


Ø 2.216 MAXIMUM



SCALE 0.500



**RELEASED FOR FABRICATION / INSTALLATION**  
PPPL Drafting:

TOLERANCE = ±.010 AND ±2°

per ECN # 5026 MATERIAL CHANGED

|            |                           |        |  |
|------------|---------------------------|--------|--|
| MATERIAL   | UNS S66286                | SOURCE | BID / PREFERRED  |
| SPEC       | ASTM A453 GRADE 660B      | VENDOR | SUGGESTED VENDOR:<br><br>PCC SPS Fastener Division<br>301 HIGHLAND AVENUE<br>JENKINTOWN, PA 19046<br>PHONE: 215-572-3000 |
| HEAT TREAT | NA                        |        |  |
| COATING    | SILVER PLATE PER AMS 2410 |        |  |
| UNITS      | INCHES                    |        |  |
| LUBRICANT  |                           |        |  |

**DATA SHEET**  
  
**UT-BATTELLE**  
OAK RIDGE NATIONAL LABORATORY

|                              |                      |  |                       |          |          |
|------------------------------|----------------------|--|-----------------------|----------|----------|
| FILENAME<br><b>DS141-060</b> |                      | TITLE / DESCRIPTION<br>NUT, 12PT HEX 1.375-6UNC-2B |                       |          |          |
| PREPARED BY<br>MT BROWN      | CHECKED BY<br>M COLE | APPROVED BY<br>D WILLIAMSON                        | ISSUE DATE<br>6/24/04 | VER<br>1 | REV<br>1 |