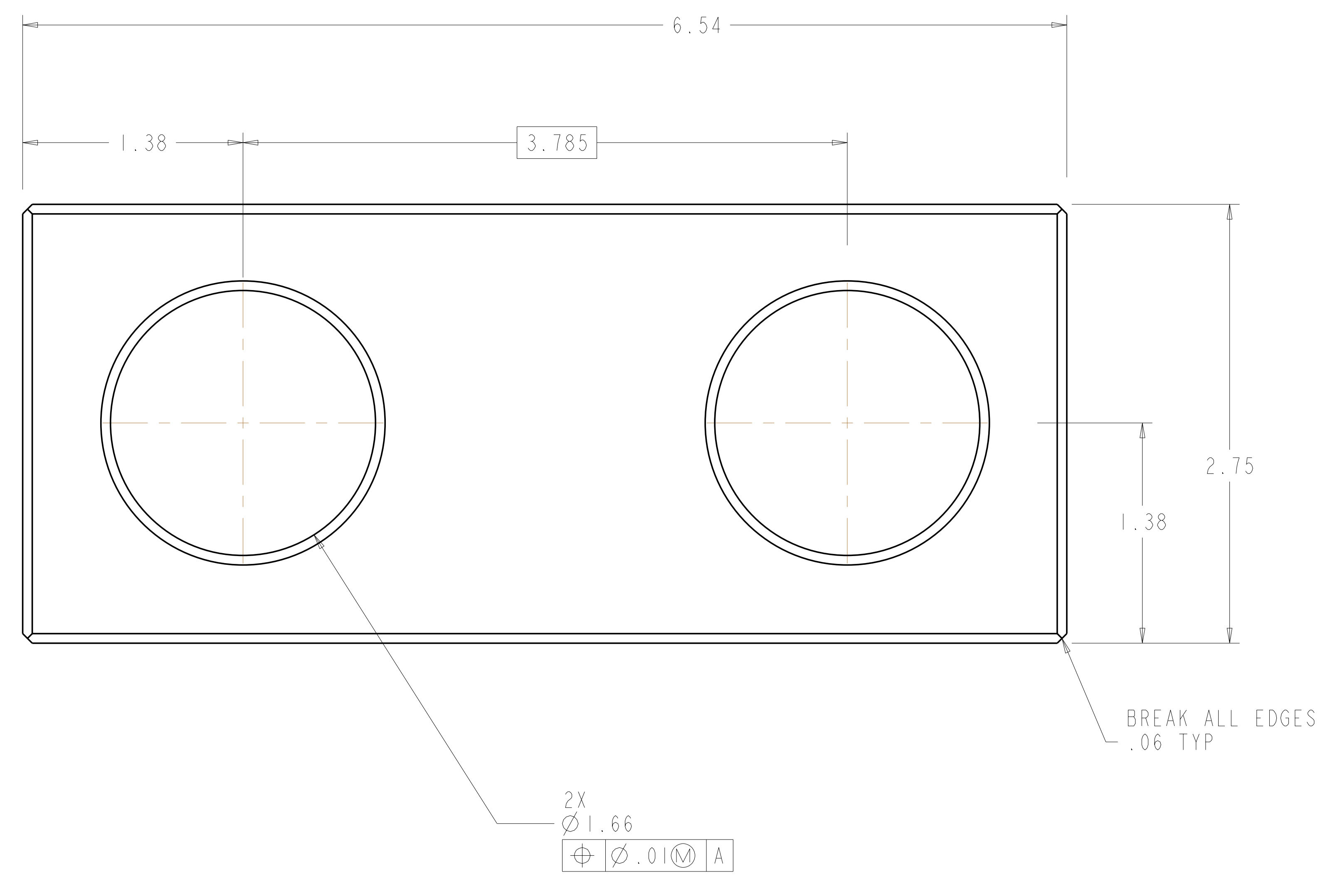
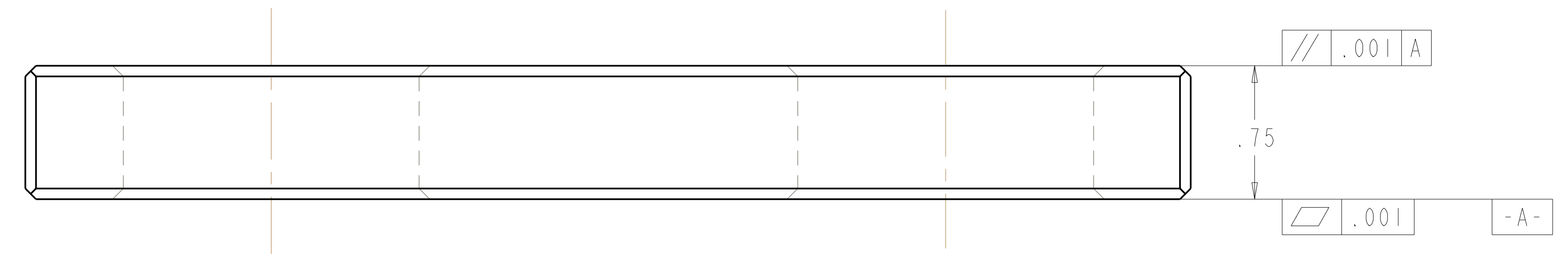


- NOTES:
1. DRAWING PREPARED IN ACCORDANCE WITH ASME Y14.100.
 2. INTERPRET DIMENSIONS AND TOLERANCES PER ASME Y14.5M.
 3. DIMENSIONS ARE IN INCHES.
 4. DIMENSIONS APPLY AT ROOM TEMPERATURE. OPERATING TEMP 80K
 5. SEE LATEST REVISION OF SPECIFICATION NCSX-CSPEC-141-03 FOR ADDITIONAL REQUIREMENTS.



① SCALE 2.00

**RELEASED FOR
 FABRICATION / INSTALLATION**
 PPPL Drafting:

AR	X	-1	BEARING PLATE	UNS S31600	I
next assy	CAGE CODE	PART OR IDENTIFYING NO	NOMENCLATURE OR DESCRIPTION	MATERIAL / SPECIFICATION	FIND NO
		NEXT ASSEMBLY	PARTS LIST		

NO REPRESENTATION OR WARRANTY, EXPRESSED OR IMPLIED, IS MADE AS TO THE ACCURACY, COMPLETENESS OR USEFULNESS OF THE INFORMATION OR STATEMENTS CONTAINED IN THESE DRAWINGS, OR THAT THE USE OR DISCLOSURE OF ANY INFORMATION, APPARATUS, METHOD OR PROCESS DISCLOSED IN THESE DRAWINGS MAY NOT INFRINGE PRIVATE RIGHTS OF OTHERS. NO LIABILITY IS ASSUMED WITH RESPECT TO THE USE OF, OR FOR DAMAGES RESULTING FROM THE USE OF, ANY INFORMATION, APPARATUS, METHOD OR PROCESS DISCLOSED IN THESE DRAWINGS. DRAWINGS MADE AVAILABLE FOR INFORMATION TO BIDDER ARE NOT TO BE USED FOR OTHER PURPOSES, AND ARE TO BE RETURNED UPON REQUEST OF THE FORWARDING CONTRACTOR.

P THIS DRAWING PRODUCED ON PRO-ENGINEER

REV	DESCRIPTION	BY	DATE	CHK	DEPT	DATE	PE	REG	DATE	DRNL	DOE	DATE
1	REVISE DRAWING PER ECN 5059	GLL	12/05		DEW							

SCALE AS NOTED	DES B. NELSON	10-05
TOLERANCES UNLESS OTHERWISE SPECIFIED	DRW M. COLE	10-05
FRACTIONS	CHK D. WILLIAMSON	10-05
XX DECIMALS ±.01	SECT :	
XXX DECIMALS ±.005	DEPT :	
ANGLES ±0°15'	PE D. WILLIAMSON	10-05
BREAK SHARP EDGES .06 MAX	CR :	
FINISH .125 UNLESS OTHERWISE SPECIFIED	PJ :	
	RD :	
	PPPL DRFT J. STEGEL	10-05

UT-BATTELLE		Oak Ridge National Laboratory managed for the DEPARTMENT OF ENERGY under U.S. GOVERNMENT contract DE-AC05-00OR22725 UT-BATTELLE, LLC. Oak Ridge, Tennessee	
NATIONAL COMPACT STELLARATOR EXPERIMENT			
MCWF POLOIDAL BREAK BEARING PLATE DETAIL TYPE "C" SHORT			
VERSION NO.	PLANT	BLDG	FL
4	X-10	5700	3
RELEASE LEVEL	SHT OF	TYPE	CLASS
Fabrication	1	I	S U
SEI41-137	REV	1	