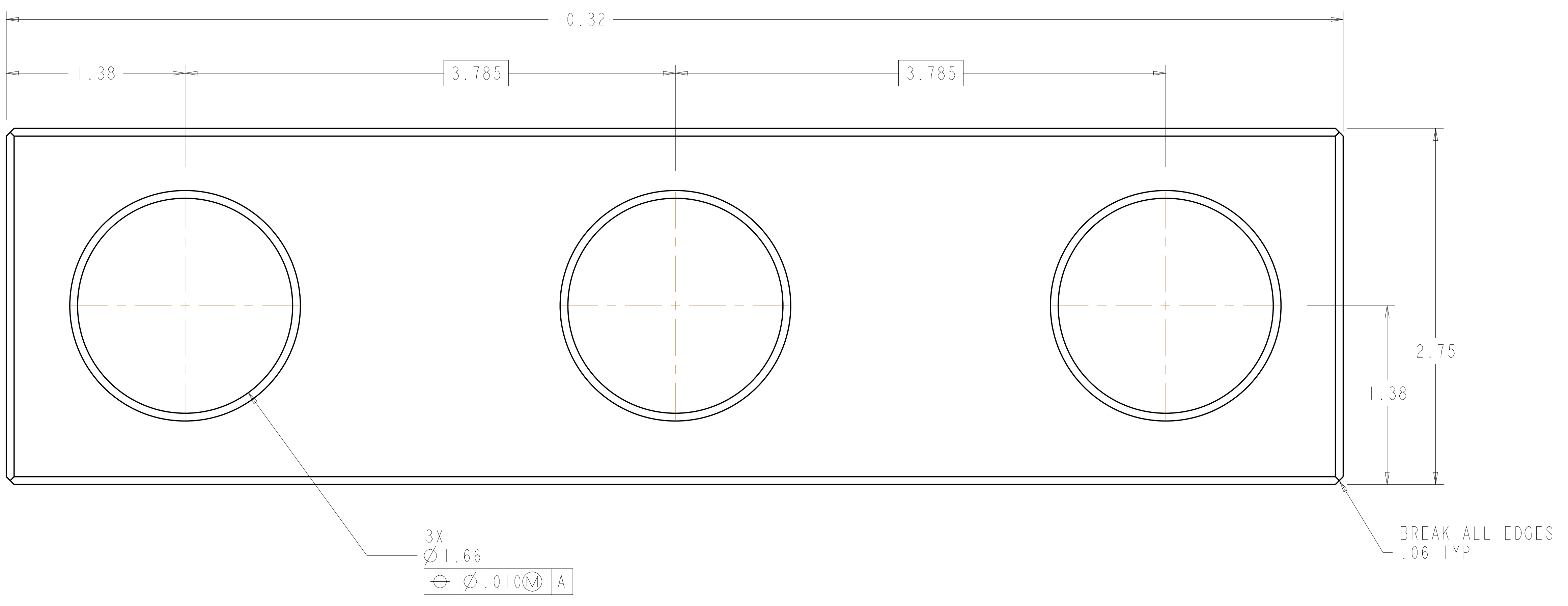
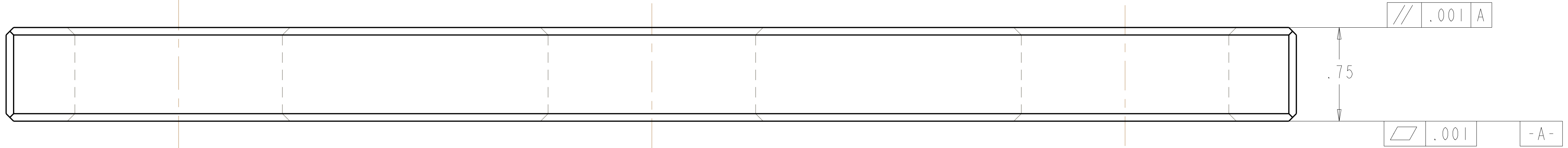
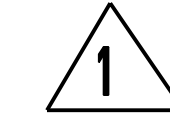


- NOTES:
1. DRAWING PREPARED IN ACCORDANCE WITH ASME Y14.100.
 2. INTERPRET DIMENSIONS AND TOLERANCES PER ASME Y14.5M.
 3. DIMENSIONS ARE IN INCHES.
 4. DIMENSIONS APPLY AT ROOM TEMPERATURE. OPERATING TEMP 80K.
 5. SEE LATEST REVISION OF SPECIFICATION NCSX-CSPEC-141-03 FOR ADDITIONAL REQUIREMENTS.



3X
 $\varnothing 1.66$
 $\varnothing .010$ A

BREAK ALL EDGES
 .06 TYP

SCALE 2.00

**RELEASED FOR
 FABRICATION / INSTALLATION**
 PPPL Drafting:

AR	X	-1	BEARING PLATE	UNS S31600	I
			PART OR IDENTIFYING NO	NOMENCLATURE OR DESCRIPTION	FIND NO
			NEXT ASSEMBLY	PARTS LIST	

NO REPRESENTATION OR WARRANTY, EXPRESSED OR IMPLIED, IS MADE AS TO THE ACCURACY, COMPLETENESS OR USEFULNESS OF THE INFORMATION OR STATEMENTS CONTAINED IN THESE DRAWINGS, OR THAT THE USE OR DISCLOSURE OF ANY INFORMATION, APPARATUS, METHOD OR PROCESS DISCLOSED IN THESE DRAWINGS MAY NOT INFRINGE PRIVATE RIGHTS OF OTHERS. NO LIABILITY IS ASSUMED WITH RESPECT TO THE USE OF, OR FOR DAMAGES RESULTING FROM THE USE OF, ANY INFORMATION, APPARATUS, METHOD OR PROCESS DISCLOSED IN THESE DRAWINGS. DRAWINGS MADE AVAILABLE FOR INFORMATION TO BIDDER ARE NOT TO BE USED FOR OTHER PURPOSES, AND ARE TO BE RETURNED UPON REQUEST OF THE FORWARDING CONTRACTOR.

P THIS DRAWING PRODUCED ON PRO-ENGINEER

SCALE AS NOTED		DES B. NELSON	10-05	Oak Ridge National Laboratory managed for the DEPARTMENT OF ENERGY under U.S. GOVERNMENT contract DE-AC05-00OR22725 UT-BATTELLE, LLC. Oak Ridge, Tennessee	
TOLERANCES UNLESS OTHERWISE SPECIFIED		DRW M. COLE	10-05	UT-BATTELLE	
FRACTIONS		CHK D. WILLIAMSON	10-05	NATIONAL COMPACT STELLARATOR EXPERIMENT	
XX DECIMALS ±.01		SECT :		MCWF POLOIDAL BREAK BEARING PLATE DETAIL TYPE "C" LONG	
XXX DECIMALS ±.005		DEPT :		VERSION NO. 1	
ANGLES ±0°15'		PE D. WILLIAMSON	10-05	PLANT X-10	
BREAK SHARP EDGES .06 MAX		CR :		BLDG 5700	
FINISH .125 UNLESS OTHERWISE SPECIFIED		PJ :		FL 3	
		REG :		SHT OF 1	
		REP :		TYPE I	
		PPPL DRFT J. SIEGEL	10-05	CLASS U	
				REV 1	
				RELEASE LEVEL Fabrication	
				SEI41-138	
				DATE	