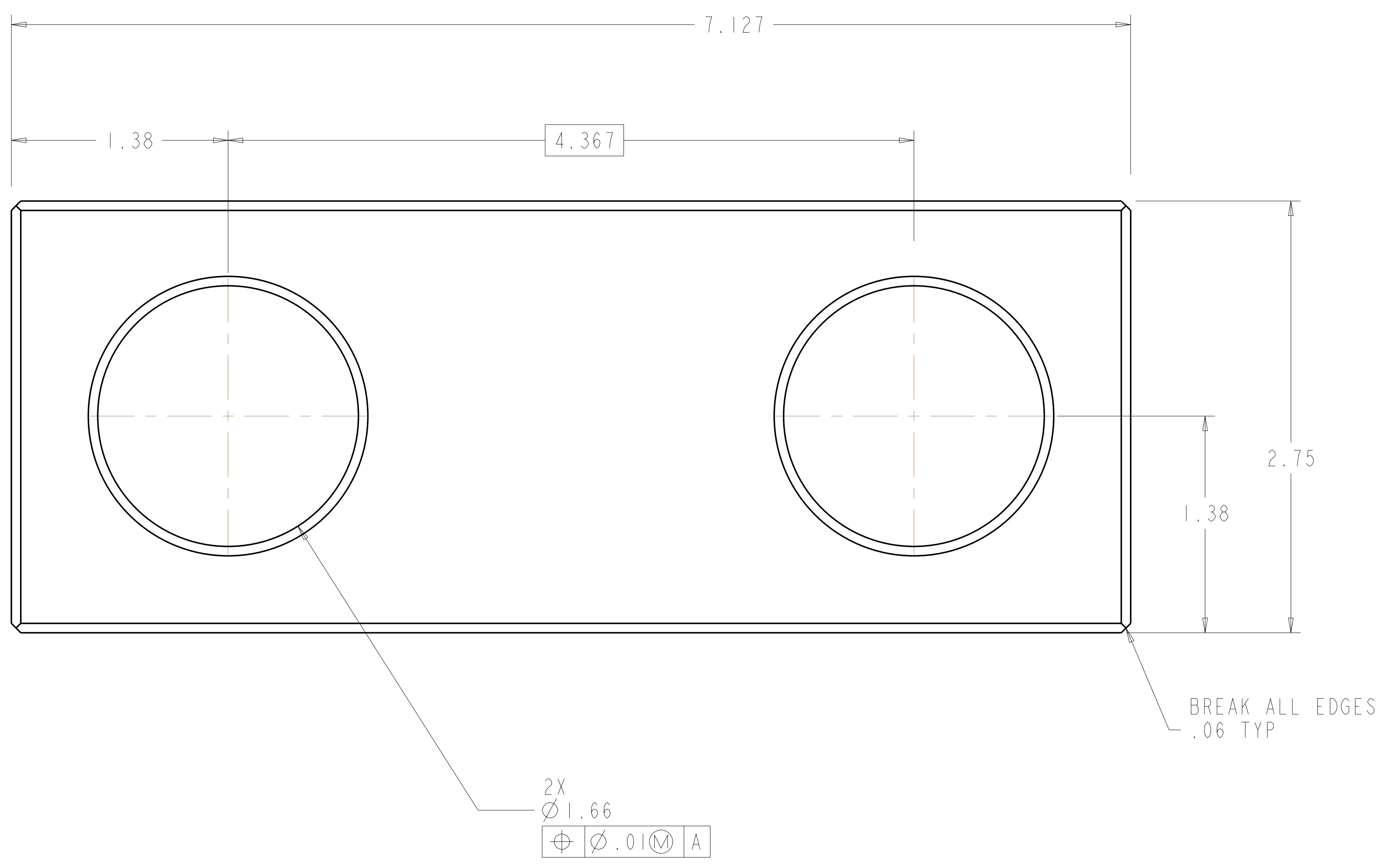
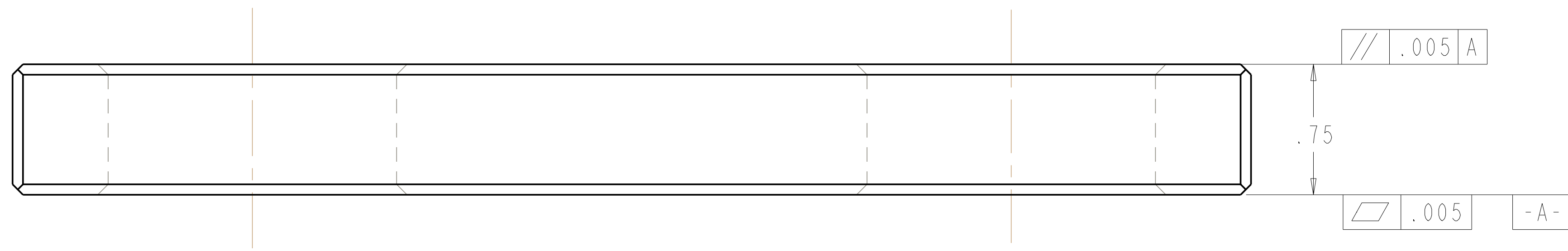


NOTES:

1. DRAWING PREPARED IN ACCORDANCE WITH ASME Y14.100.
2. INTERPRET DIMENSIONS AND TOLERANCES PER ASME Y14.5M.
3. DIMENSIONS ARE IN INCHES.
4. DIMENSIONS APPLY AT ROOM TEMPERATURE. OPERATING TEMP 80K.
5. SEE LATEST REVISION OF SPECIFICATION NCSX-CSPEC-141-03 FOR ADDITIONAL REQUIREMENTS.



1 SCALE 2.00

**RELEASED FOR  
FABRICATION / INSTALLATION**

PPPL Drafting:

AR	X	-1	BEARING PLATE-SHORT	UNS S31600	
next assy	CAGE CODE	PART OR IDENTIFYING NO	NOMENCLATURE OR DESCRIPTION	MATERIAL / SPECIFICATION	FIND NO
		NEXT ASSEMBLY	PARTS LIST		

NO REPRESENTATION OR WARRANTY, EXPRESSED OR IMPLIED, IS MADE AS TO THE ACCURACY, COMPLETENESS OR USEFULNESS OF THE INFORMATION OR STATEMENTS CONTAINED IN THESE DRAWINGS, OR THAT THE USE OR DISCLOSURE OF ANY INFORMATION, APPARATUS, METHOD OR PROCESS DISCLOSED IN THESE DRAWINGS MAY NOT INFRINGE PRIVATE RIGHTS OF OTHERS. NO LIABILITY IS ASSUMED WITH RESPECT TO THE USE OF, OR FOR DAMAGES RESULTING FROM THE USE OF, ANY INFORMATION, APPARATUS, METHOD OR PROCESS DISCLOSED IN THESE DRAWINGS. DRAWINGS MADE AVAILABLE FOR INFORMATION TO BIDDER ARE NOT TO BE USED FOR OTHER PURPOSES, AND ARE TO BE RETURNED UPON REQUEST OF THE FORWARDING CONTRACTOR.

**P** THIS DRAWING PRODUCED ON PRO-ENGINEER

REV	DESCRIPTION	BY	DATE	CHK	DEPT	DATE	PE	REG	DATE	DRNL	DOE	DATE
0	INITIAL RELEASE	GLL	12/05				DEW					
	REVISION OR ISSUE PURPOSE											

SCALE AS NOTED	DES B. NELSON	1-06
TOLERANCES UNLESS OTHERWISE SPECIFIED	DRW G. LOVETT	1-06
FRACTIONS	CHK M. COLE	1-06
XX DECIMALS ±.01	SECT :	
XXX DECIMALS ±.005	DEPT :	
ANGLES ±0°15'	PE D. WILLIAMSON	1-06
BREAK SHARP EDGES .06 MAX	CR :	
FINISH .125 UNLESS OTHERWISE SPECIFIED	PJ :	
	REG :	
	REO :	
	PPPL DRFT J. STEGEL	1-06

<b>UT-BATTELLE</b>								Oak Ridge National Laboratory managed for the DEPARTMENT OF ENERGY under U.S. GOVERNMENT contract DE-AC05-00OR22725 UT-BATTELLE, LLC. Oak Ridge, Tennessee							
NATIONAL COMPACT STELLARATOR EXPERIMENT								MCWF POLOIDAL BREAK BEARING PLATE DETAIL TYPE "A" SHORT							
VERSION NO.	PLANT	BLDG	FL	SHT OF	TYPE	CLASS		VERSION NO.	PLANT	BLDG	FL	SHT OF	TYPE	CLASS	
4	X-10	5700	3	1	S	U		4	X-10	5700	3	1	S	U	
RELEASE LEVEL								RELEASE LEVEL							
Fabrication								Fabrication							
SEI41-141								SEI41-141							
REV 0								REV 0							