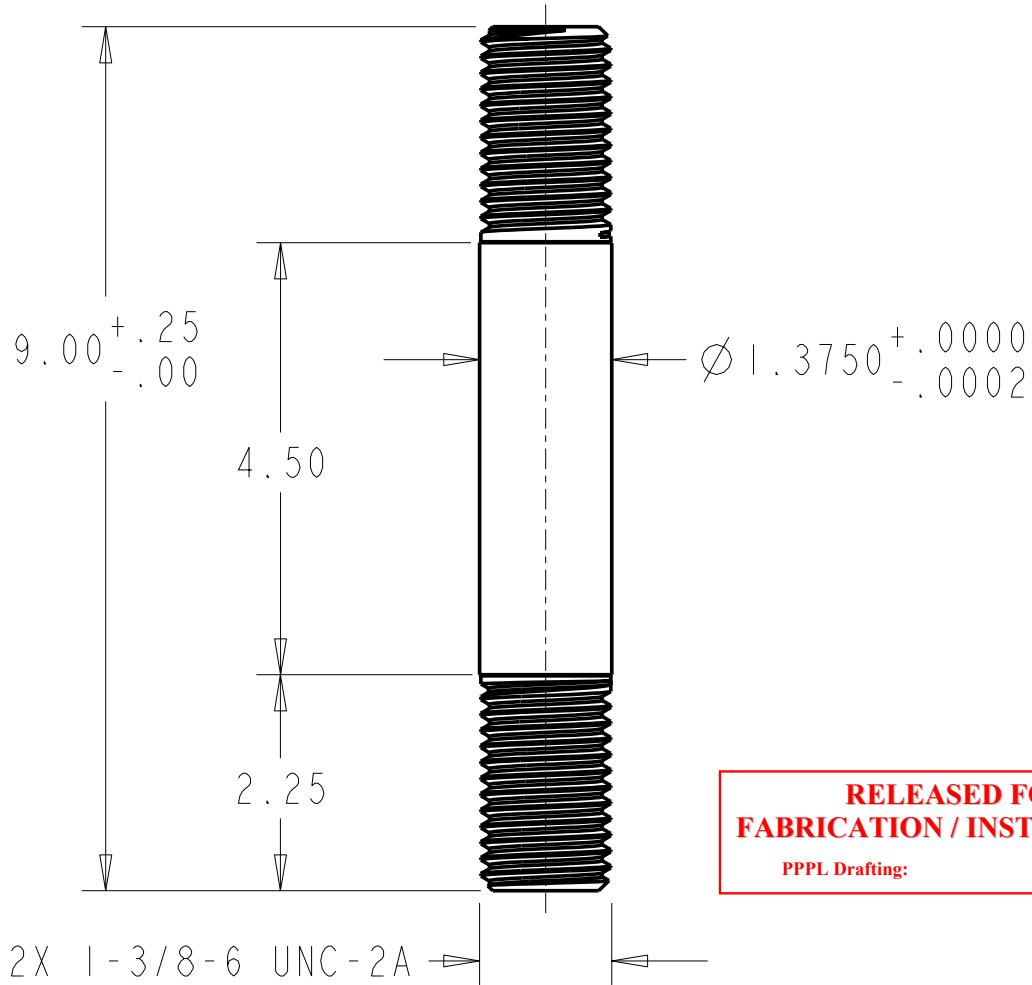


.625 STD SOC HD
WRENCH OPENING ∇ .63
TYP EACH END



**RELEASED FOR
FABRICATION / INSTALLATION**
PPPL Drafting:

TOLERANCE = $\pm .010$ AND $\pm 2^\circ$

MATERIAL	ASTM A286	SOURCE	BID / PREFERRED
SPEC	NA	VENDOR	COMPANY ADDRESS PHONE
HEAT TREAT	NA		
COATING	SILVER PLATE PER AMS 2410		
UNITS	INCHES		



DATA SHEET		FILENAME	TITLE / DESCRIPTION			
		DS141-036	STUD, 1.375-6UNC-2A X 9 LG			
PREPARED BY	CHECKED BY	APPROVED BY	ISSUE DATE	VER	REV	
MT BROWN	M COLE	D WILLIAMSON	6/24/04	3	0	