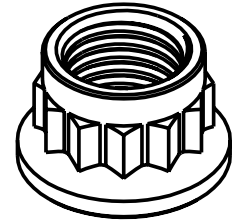
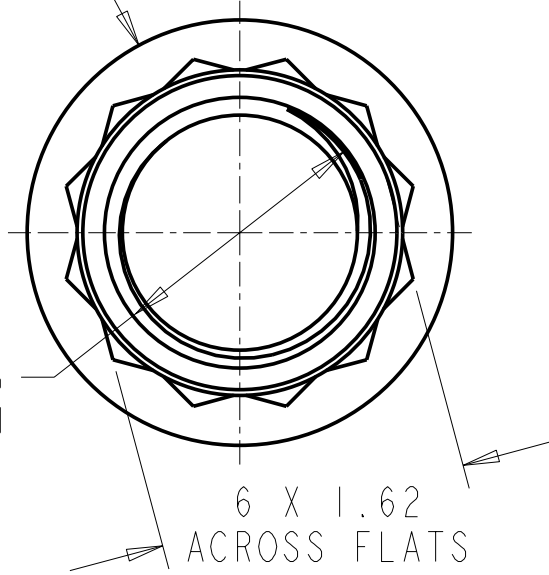
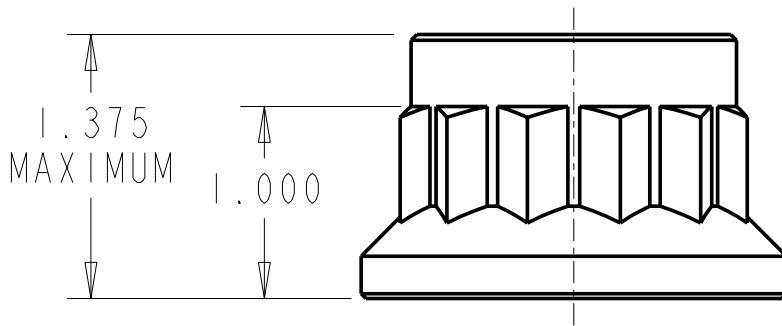


Ø 2.216 MAXIMUM



SCALE 0.500



**RELEASED FOR
FABRICATION / INSTALLATION**

PPPL Drafting:

TOLERANCE = ±.010 AND ±2°

MATERIAL	ASTM A286	SOURCE	BID / PREFERRED
SPEC	NA	VENDOR	SUGGESTED VENDOR: PCC SPS Fastener Division 301 HIGHLAND AVENUE JENKINTOWN, PA 19046 PHONE: 215-572-3000
HEAT TREAT	NA		
COATING	SILVER PLATE PER AMS 2410		
UNITS	INCHES		
LUBRICANT			

DATA SHEET



FILENAME DS141-060		TITLE / DESCRIPTION NUT, 12PT HEX 1.375-6UNC-2B			
PREPARED BY MT BROWN	CHECKED BY M COLE	APPROVED BY D WILLIAMSON	ISSUE DATE 6/24/04	VER 2	REV 0