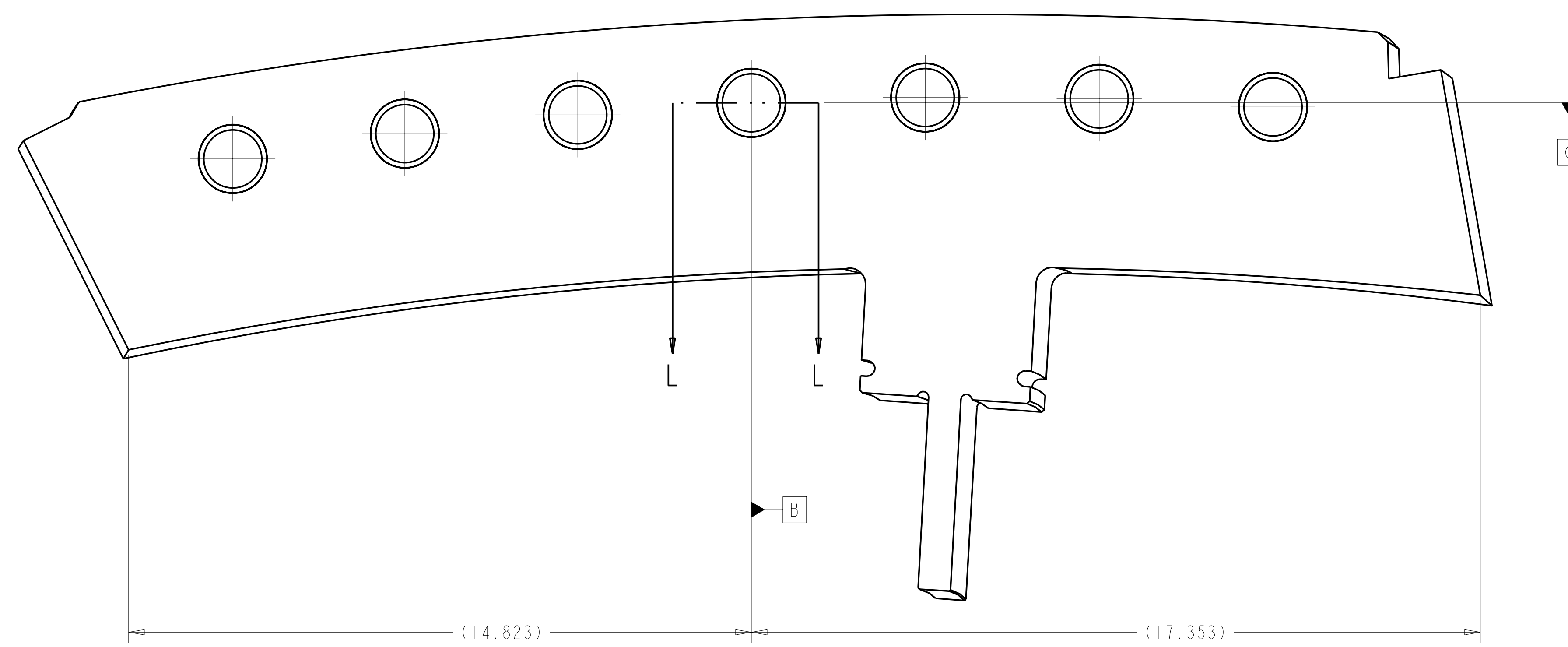
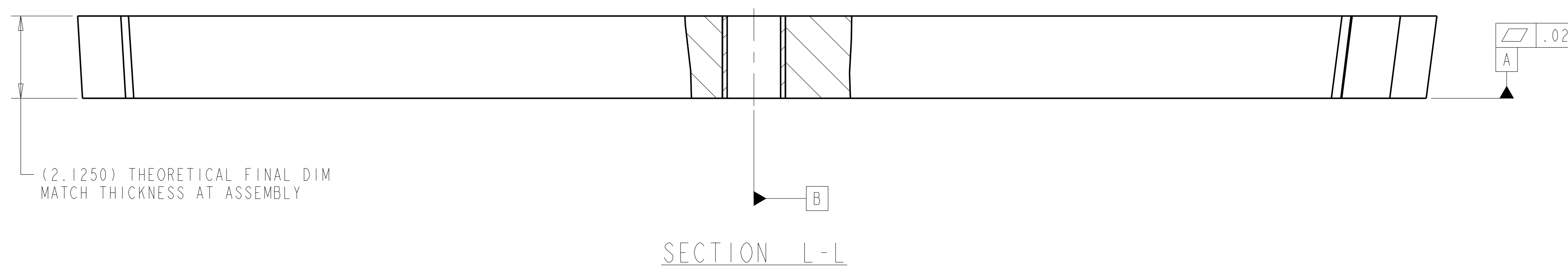
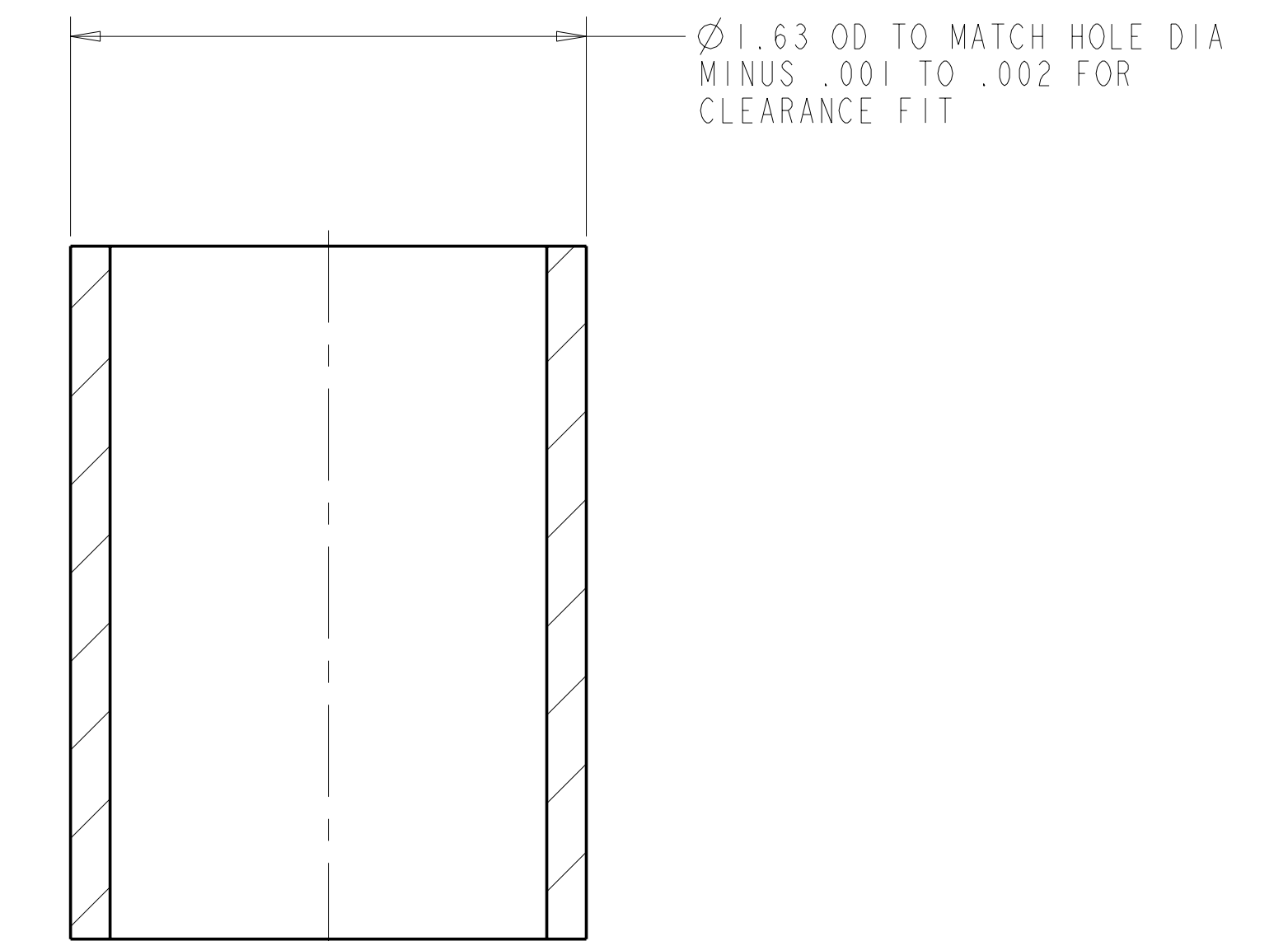
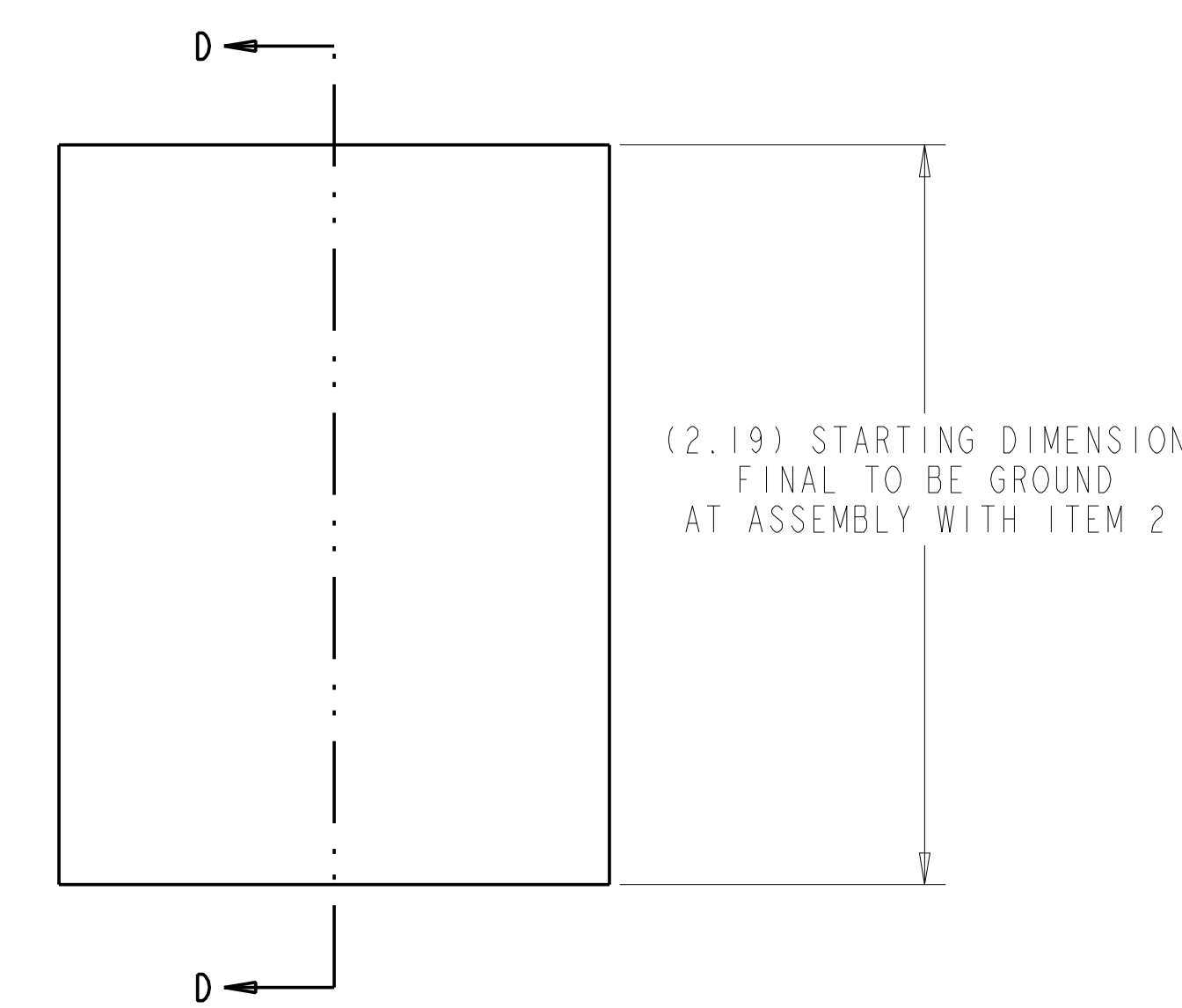
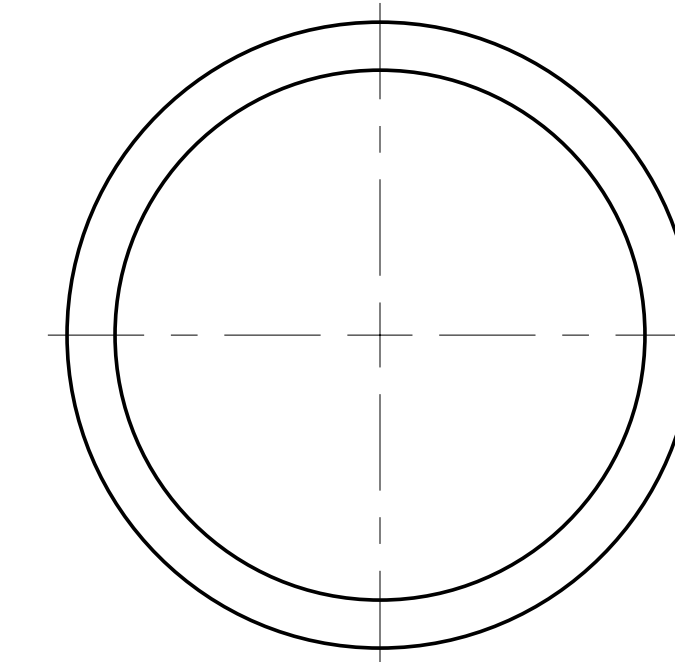
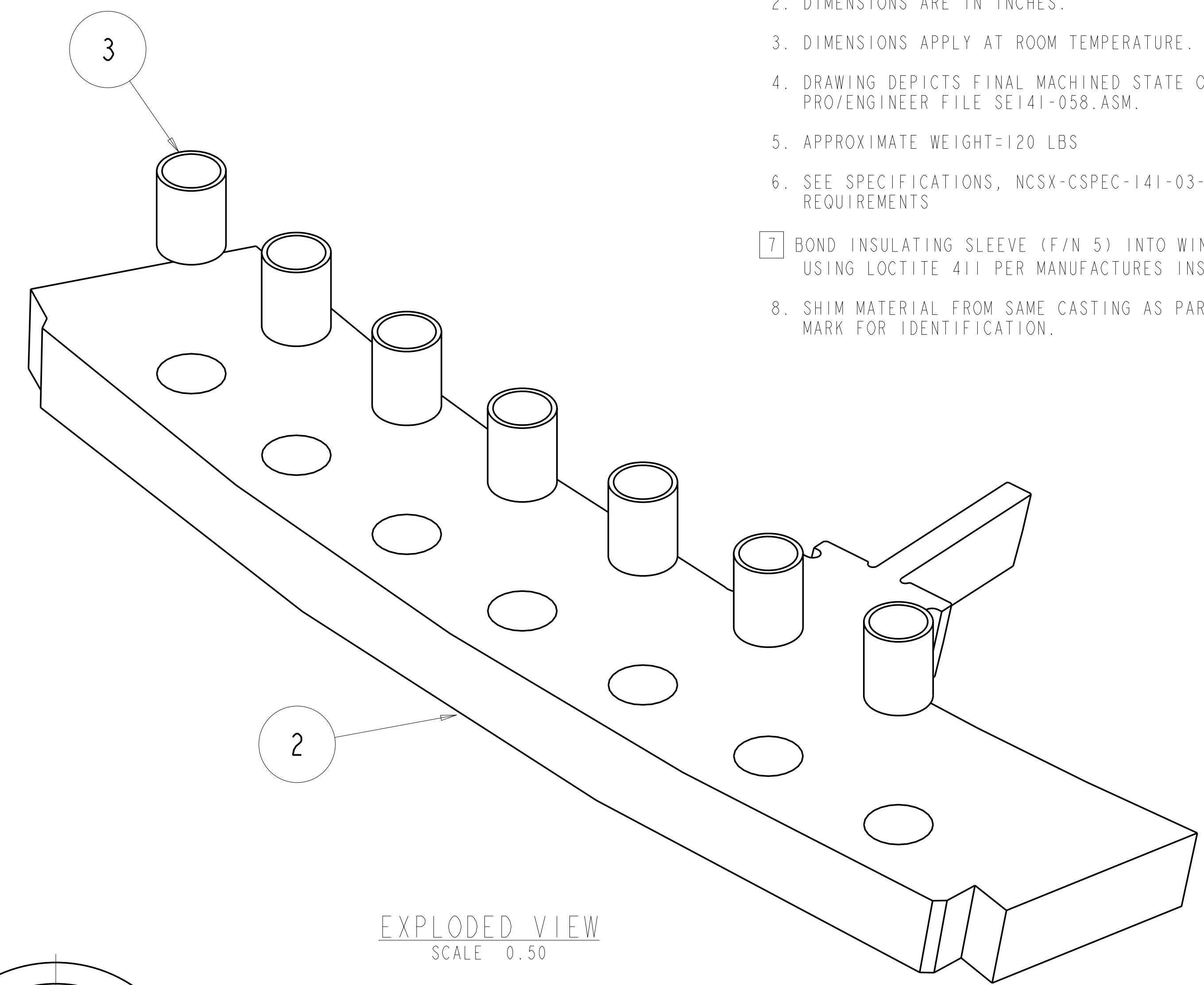
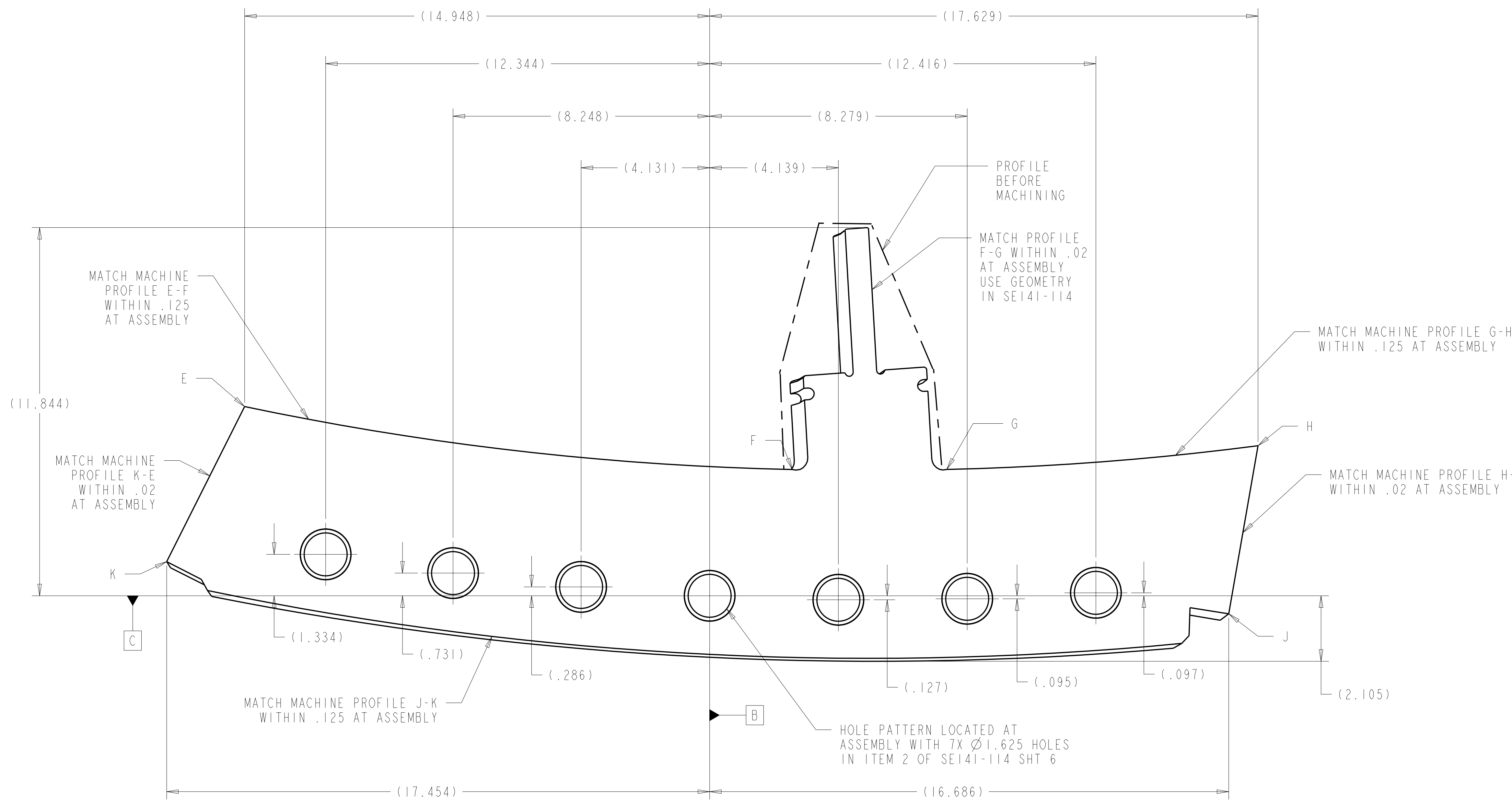


- NOTES:
1. INTERPRET DIMENSIONS AND TOLERANCES PER ANSI Y14.5M
 2. DIMENSIONS ARE IN INCHES.
 3. DIMENSIONS APPLY AT ROOM TEMPERATURE. OPERATING TEMP 80 K.
 4. DRAWING DEPICTS FINAL MACHINED STATE OF ASSEMBLY DEFINED BY PRO/ENGINEER FILE SE141-058.ASM.
 5. APPROXIMATE WEIGHT=120 LBS
 6. SEE SPECIFICATIONS, NCSX-CSPEC-141-03-02, FOR ADDITIONAL REQUIREMENTS
 7. BOND INSULATING SLEEVE (F/N 5) INTO WINDING FORM (F/N 2) USING LOCTITE 411 PER MANUFACTURERS INSTRUCTIONS.
 8. SHIM MATERIAL FROM SAME CASTING AS PART SE141-115. MARK FOR IDENTIFICATION.



SCALE 0.50

**RELEASED FOR
 FABRICATION / INSTALLATION**
 PPPL Drafting:

REV	DESCRIPTION	BY	DATE	CHK	DEPT	DATE	PE	REQ	DATE	ORNL	DOE	DATE
7	-3											
I	-2											
AR	X											

CAGE CODE	PART OR IDENTIFYING NO	NOMENCLATURE OR DESCRIPTION	MATERIAL	SPECIFICATION	FIND NO
SE141-115		SHIM INSULATING SLEEVE ALL TYPES	GIICR	NEMA LI 1 - 1998	3
		POLOIDAL BREAK SHIM TYPE-B	NOTE 8	--	2
		POL BREAK SHIM ASSEMBLY TYPE-B			1

← NEXT ASSEMBLY

PARTS LIST

REV	DESCRIPTION	BY	DATE	CHK	DEPT	DATE	PE	REQ	DATE	ORNL	DOE	DATE

SCALE NOTED	TOLERANCES UNLESS OTHERWISE SPECIFIED	FRACTIONS	XX DECIMALS	XXX DECIMALS	ANGLES	BREAK SHARP EDGES	FINISH

DES	DATE	DRW	DATE	CHK	DATE	SECT	DEPT	PE	DATE	CR	PJ	REQ
T BROWN	6-30-04	PAUL MILLER	6-30-04	M COLE	6-30-04			D WILLIAMSON	6-30-04			
J STEGEL	6-30-04											

UT-BATTELLE	NATIONAL COMPACT STELLARATOR EXPERIMENT

VERSION NO.	PLANT	BLDG	FL	SHT OF	TYPE	CLASS
8	X-10	5700	3	1	I	S U

RELEASE LEVEL	SEI41-058	REV
Fabrication		0

P THIS DRAWING PRODUCED ON PRO-ENGINEER

NO REPRESENTATION OR WARRANTY, EXPRESSED OR IMPLIED, IS MADE AS TO THE ACCURACY, COMPLETENESS OR USEFULNESS OF THE INFORMATION OR STATEMENTS CONTAINED IN THESE DRAWINGS, OR THAT THE USE OR DISCLOSURE OF ANY INFORMATION, APPARATUS, METHOD OR PROCESS DISCLOSED IN THESE DRAWINGS MAY NOT INFRINGE PRIVATE RIGHTS OF OTHERS. NO LIABILITY IS ASSUMED WITH RESPECT TO THE USE OF, OR FOR DAMAGES RESULTING FROM THE USE OF, ANY INFORMATION, APPARATUS, METHOD OR PROCESS DISCLOSED IN THESE DRAWINGS. DRAWINGS MADE AVAILABLE FOR INFORMATION TO BIDDER ARE NOT TO BE USED FOR OTHER PURPOSES, AND ARE TO BE RETURNED UPON REQUEST OF THE FORWARDING CONTRACTOR.