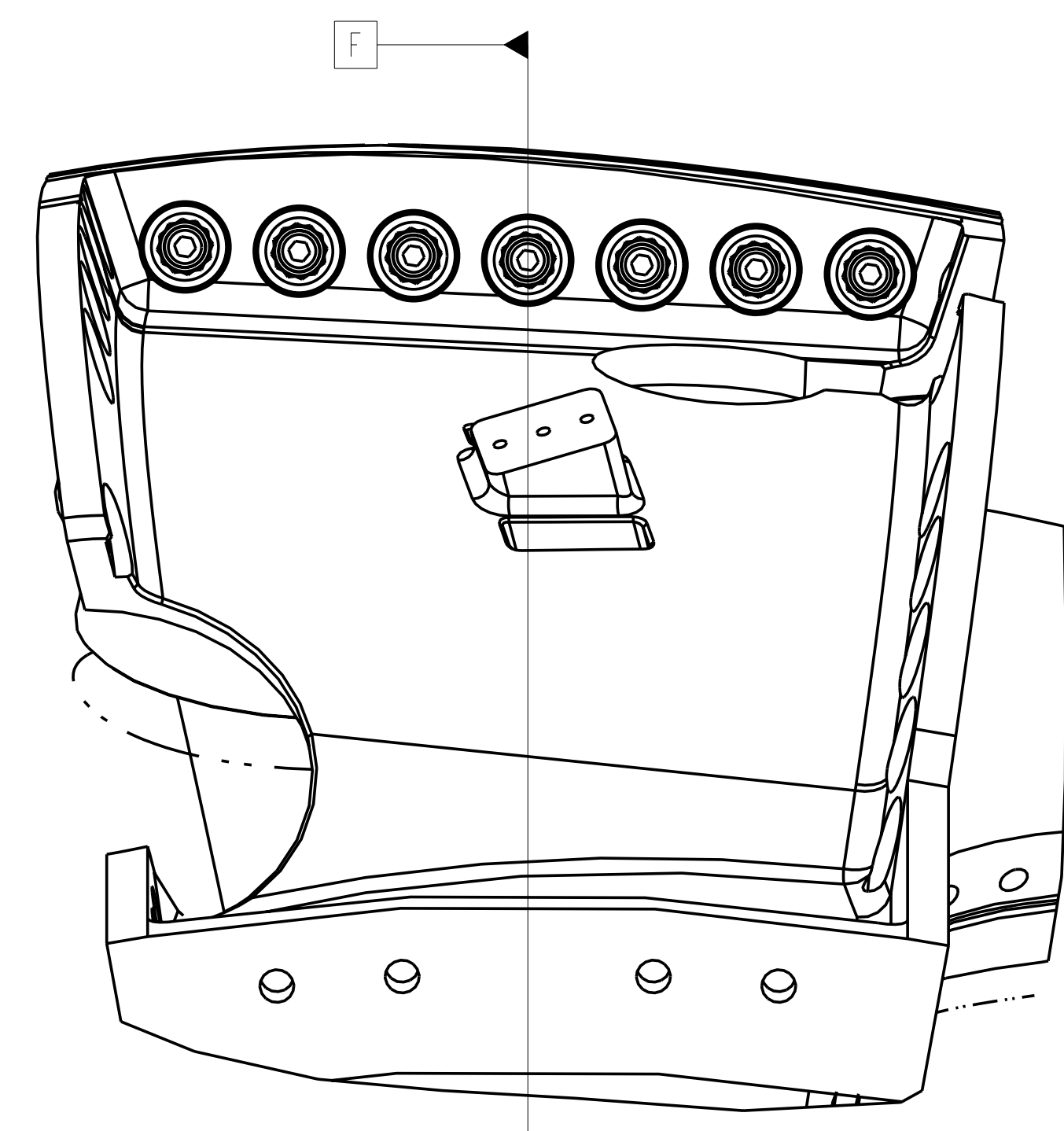
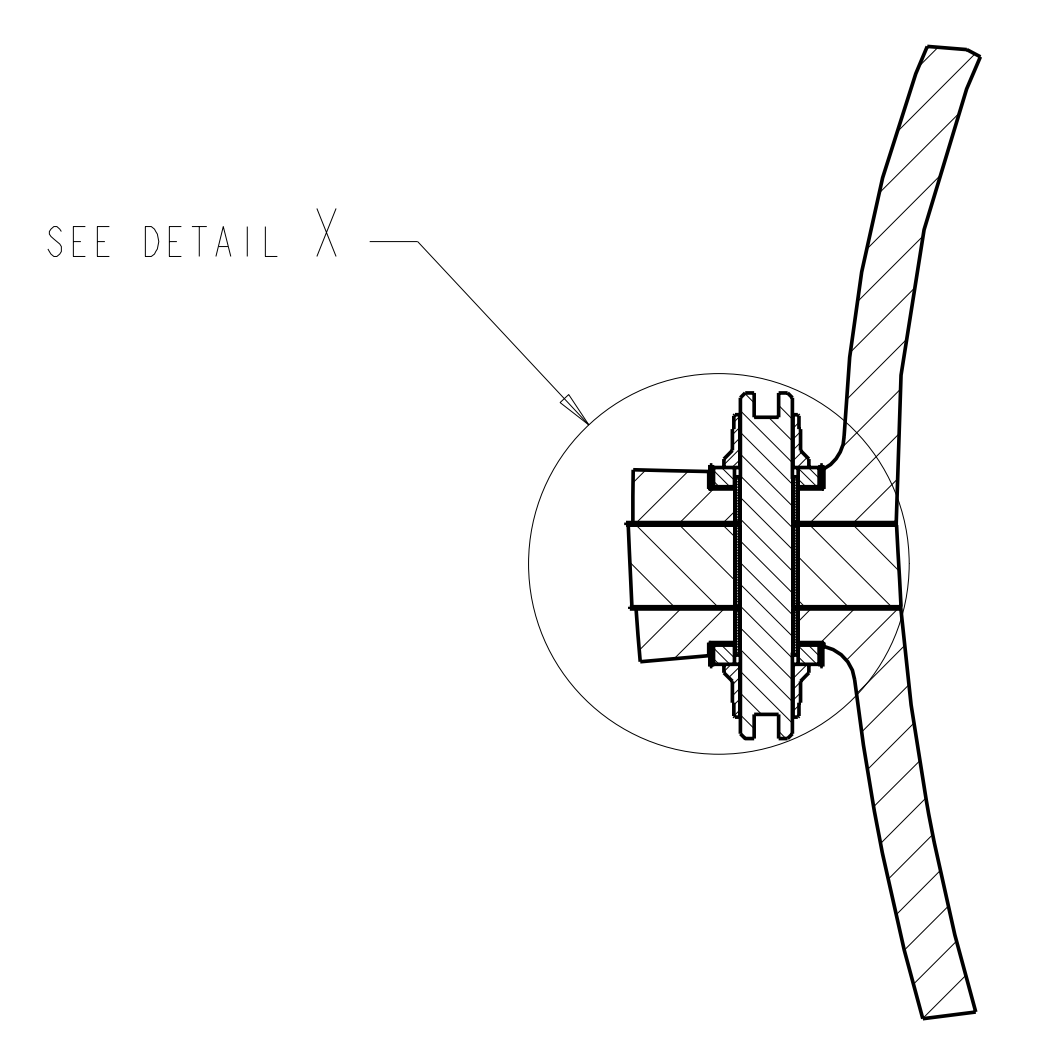
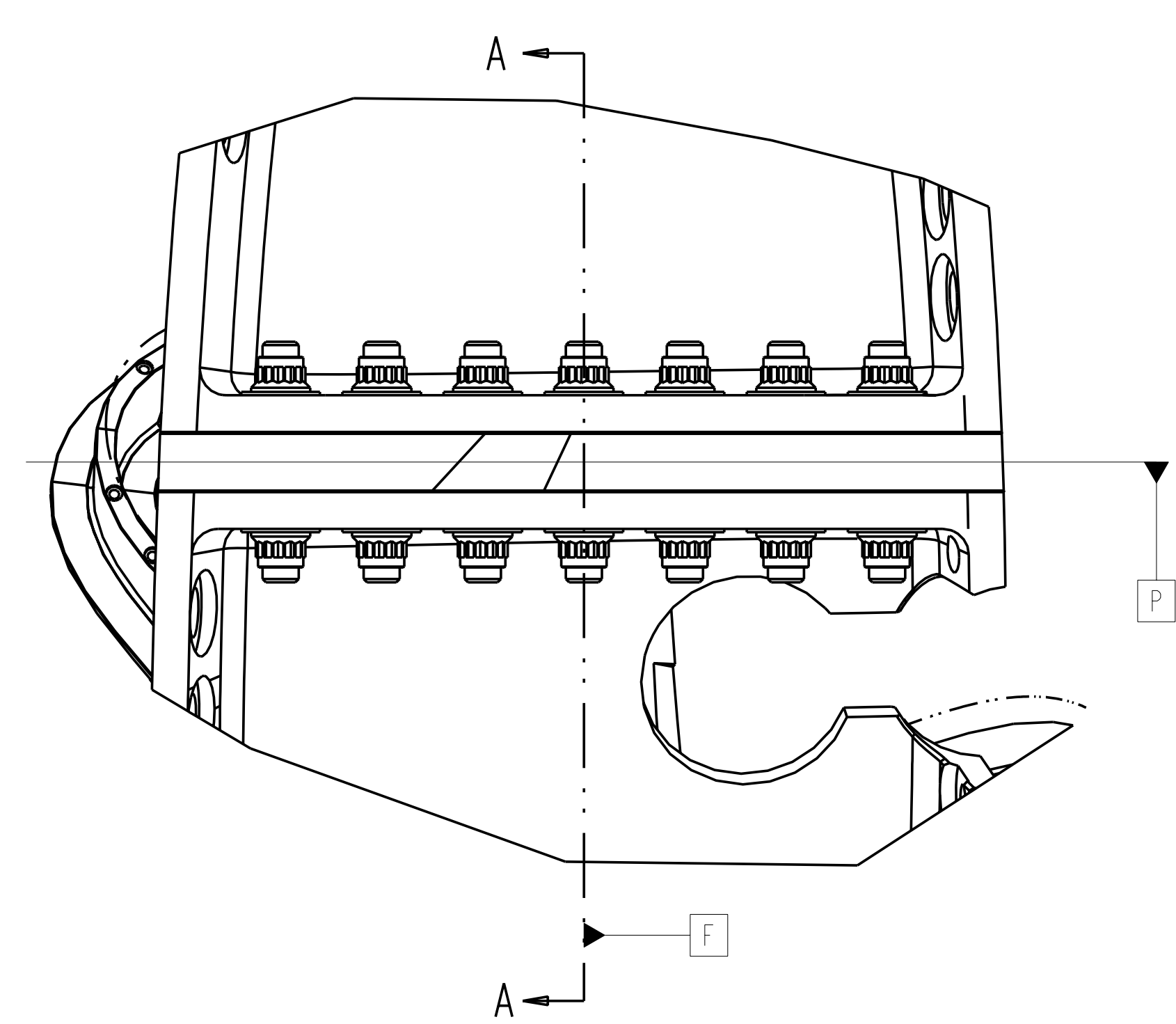
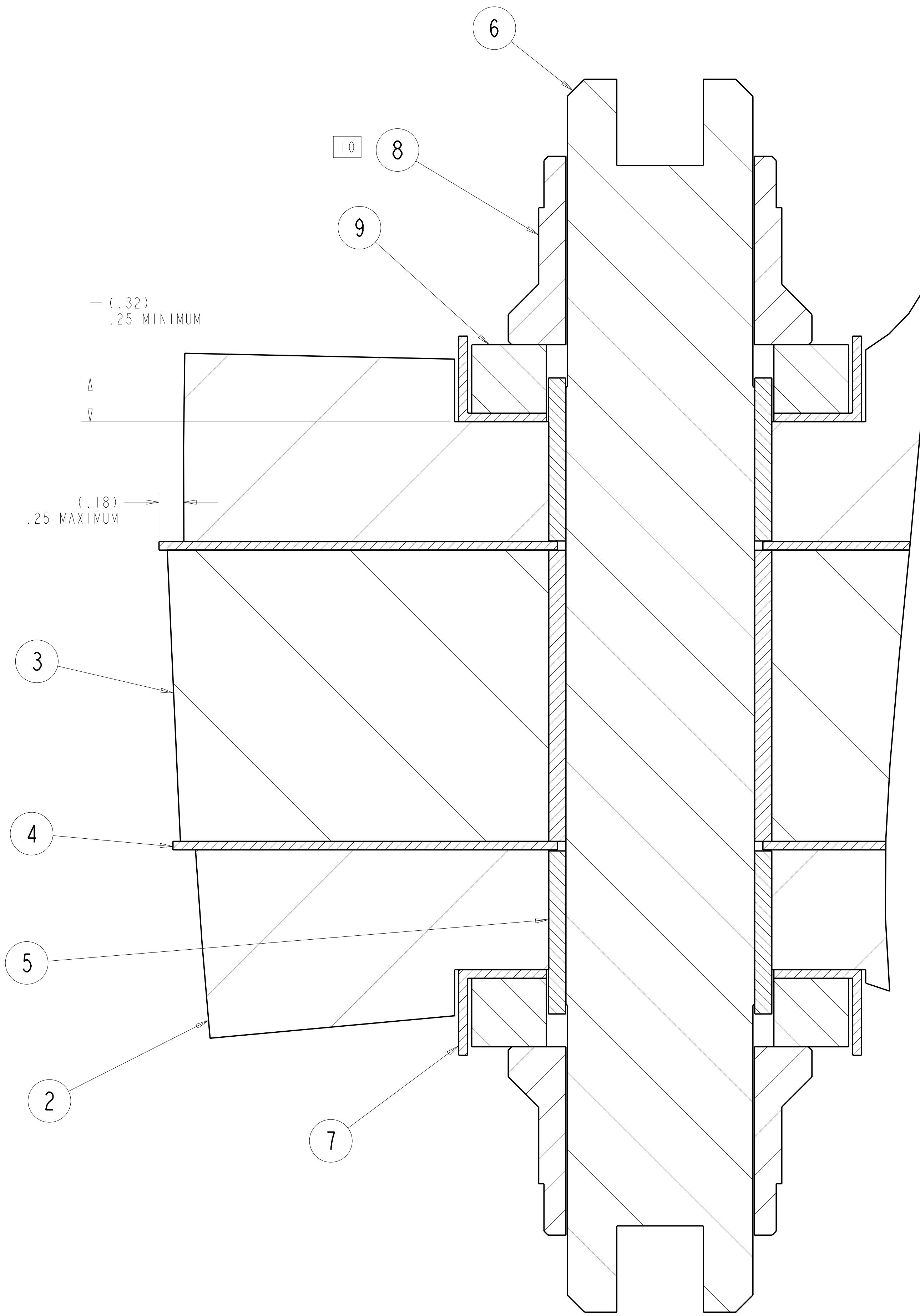


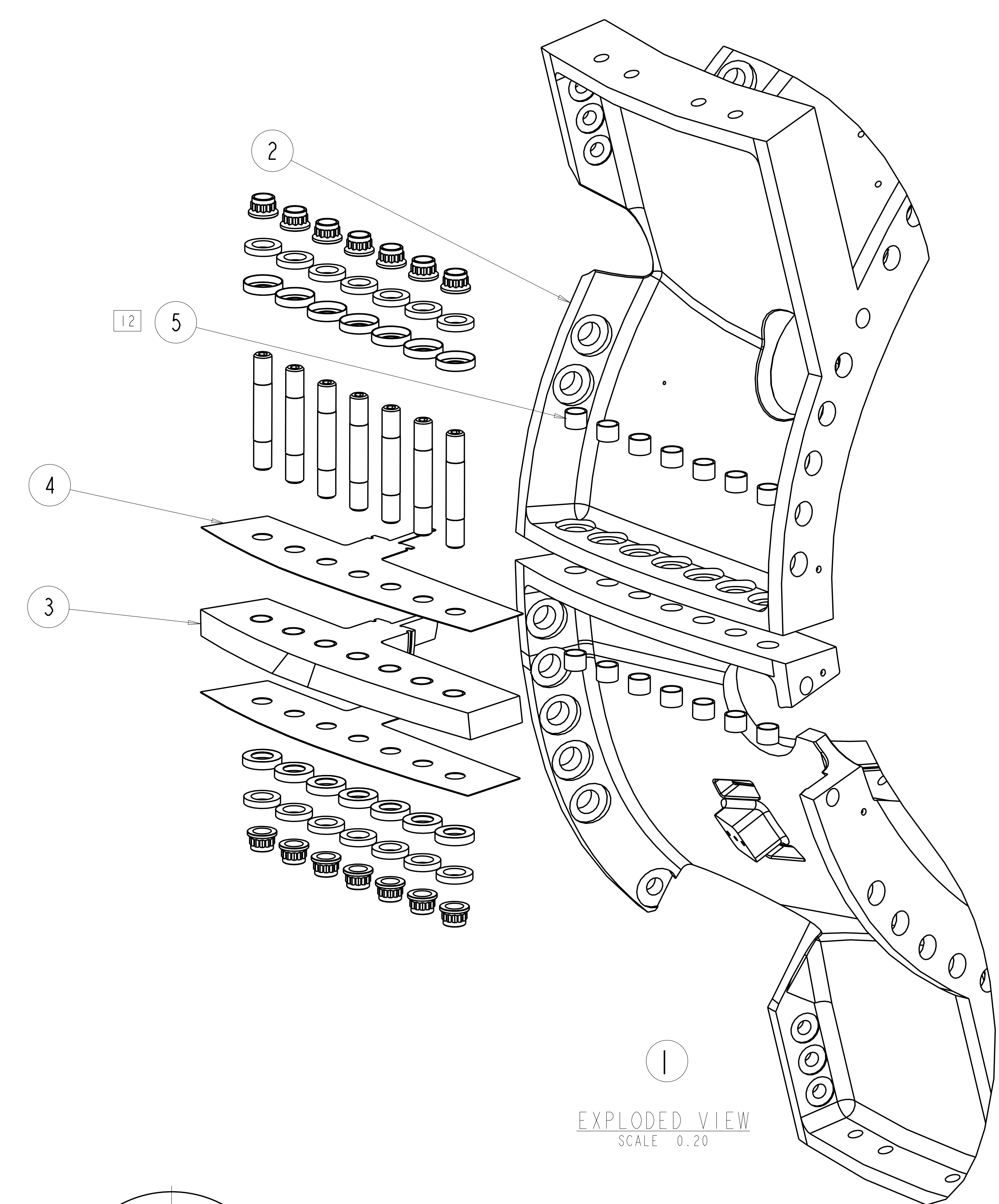
FOR NOTES AND PARTS LIST SEE SHEET 1



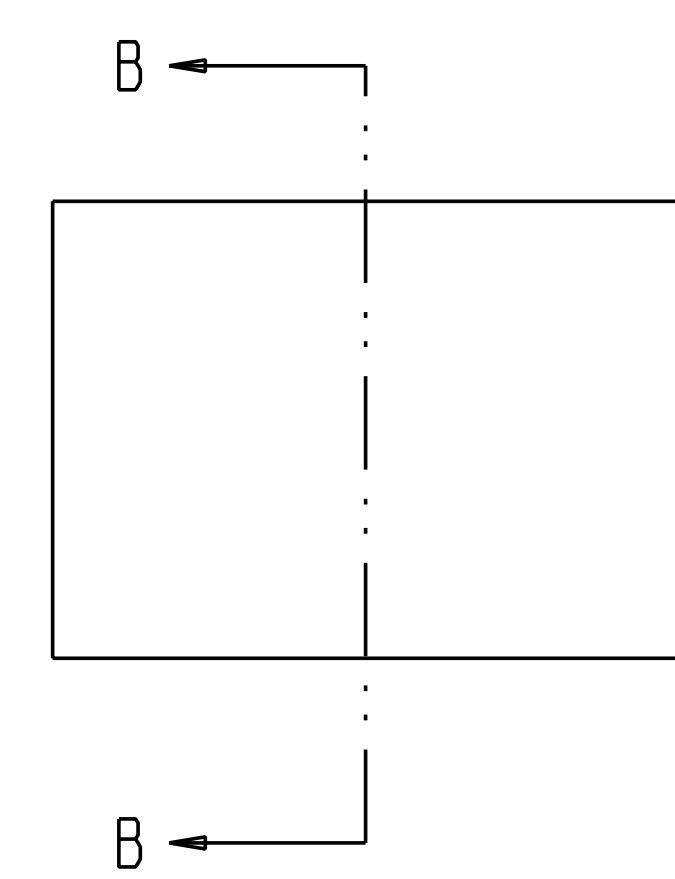
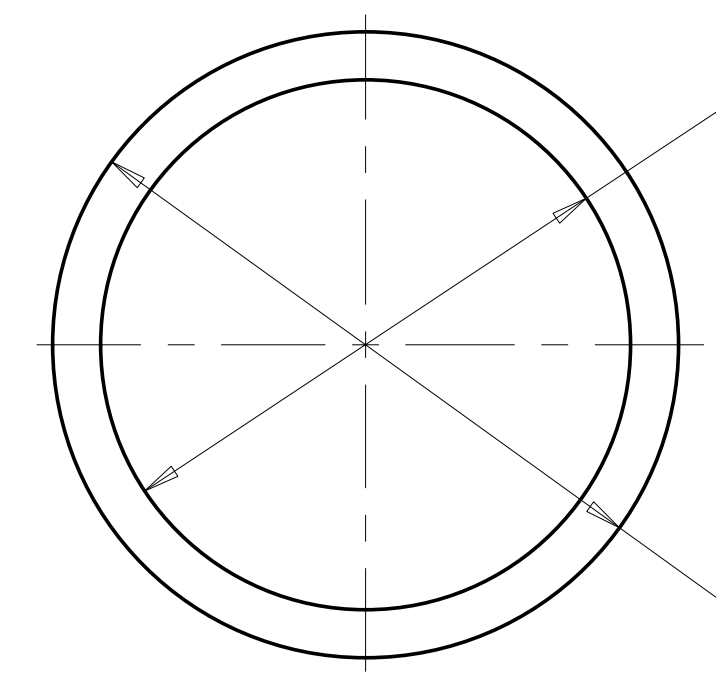
POLOIDAL BREAK DETAIL



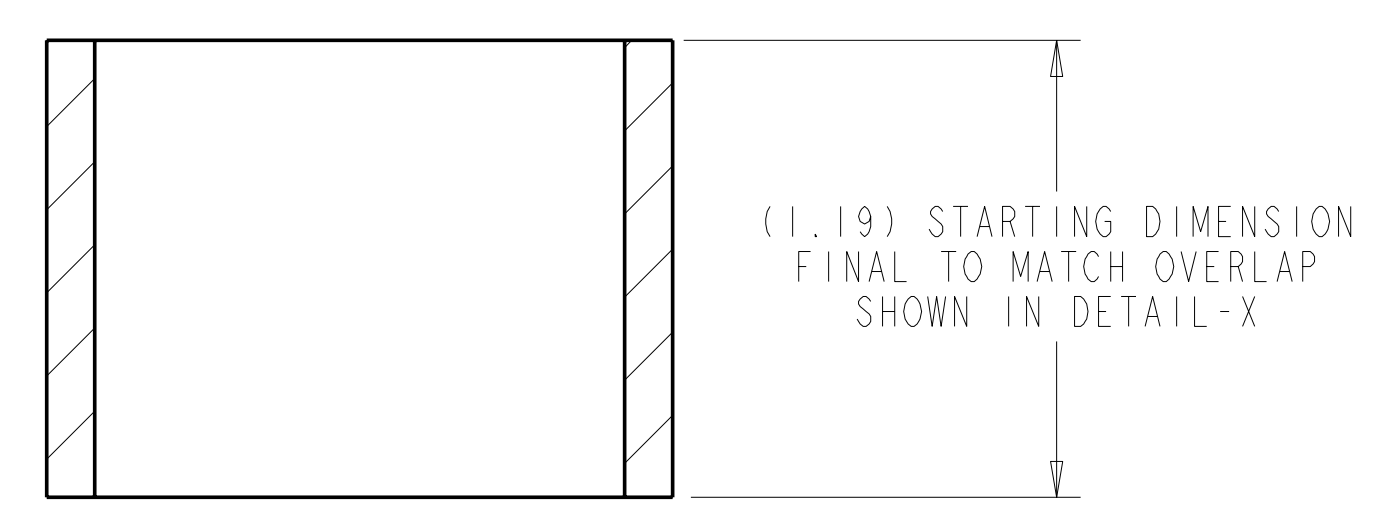
DETAIL X
SCALE 2.00



EXPLODED VIEW
SCALE 0.20



SECTION B-B
SCALE 2.00



RELEASED FOR FABRICATION / INSTALLATION
 PPPL Drafting:

Oak Ridge National Laboratory managed for the DEPARTMENT OF ENERGY under U.S. GOVERNMENT contract DE-AC05-00OR22725 UT-BATTELLE, LLC, Oak Ridge, Tennessee							
UT-BATTELLE NATIONAL COMPACT STELLARATOR EXPERIMENT							
MOD COIL WINDING FORM ASSEMBLY TYPE-C							
VERSION NO.	PLANT	BLDG	FL	SHT OF	TYPE	CLASS	
30	X-10	5700	3	2	S	U	
RELEASE LEVEL		SEI41-103		REV		0	
Fabrication							

H
G
F
E
D
C
B
A
 SEI41-103