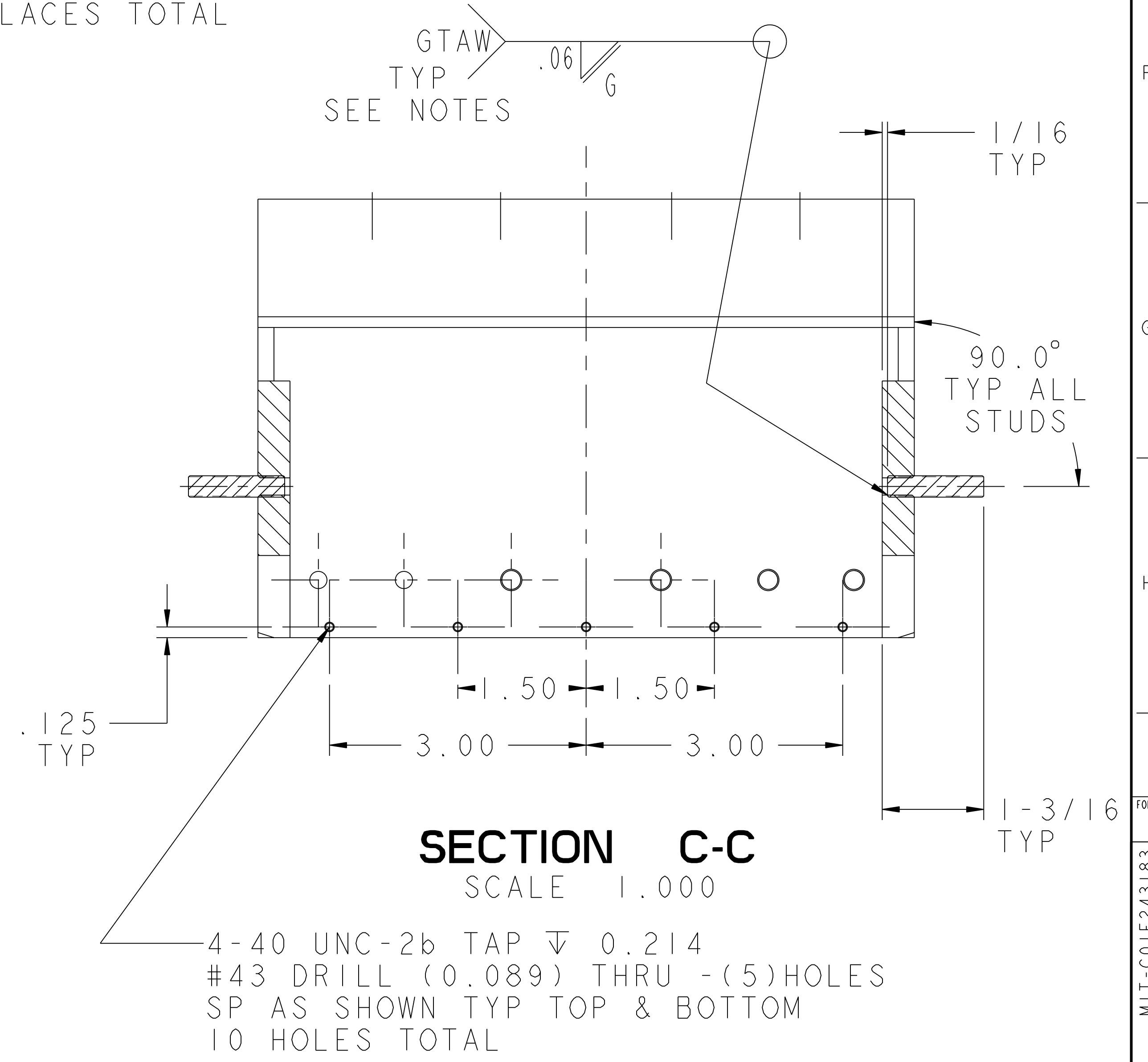
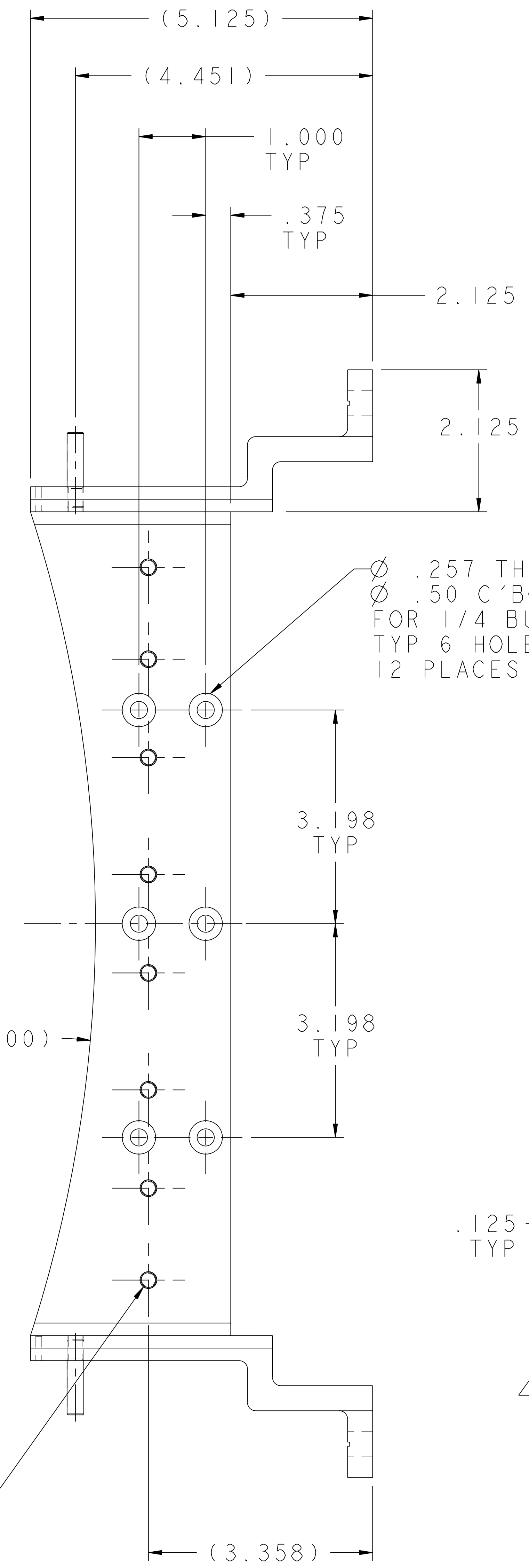
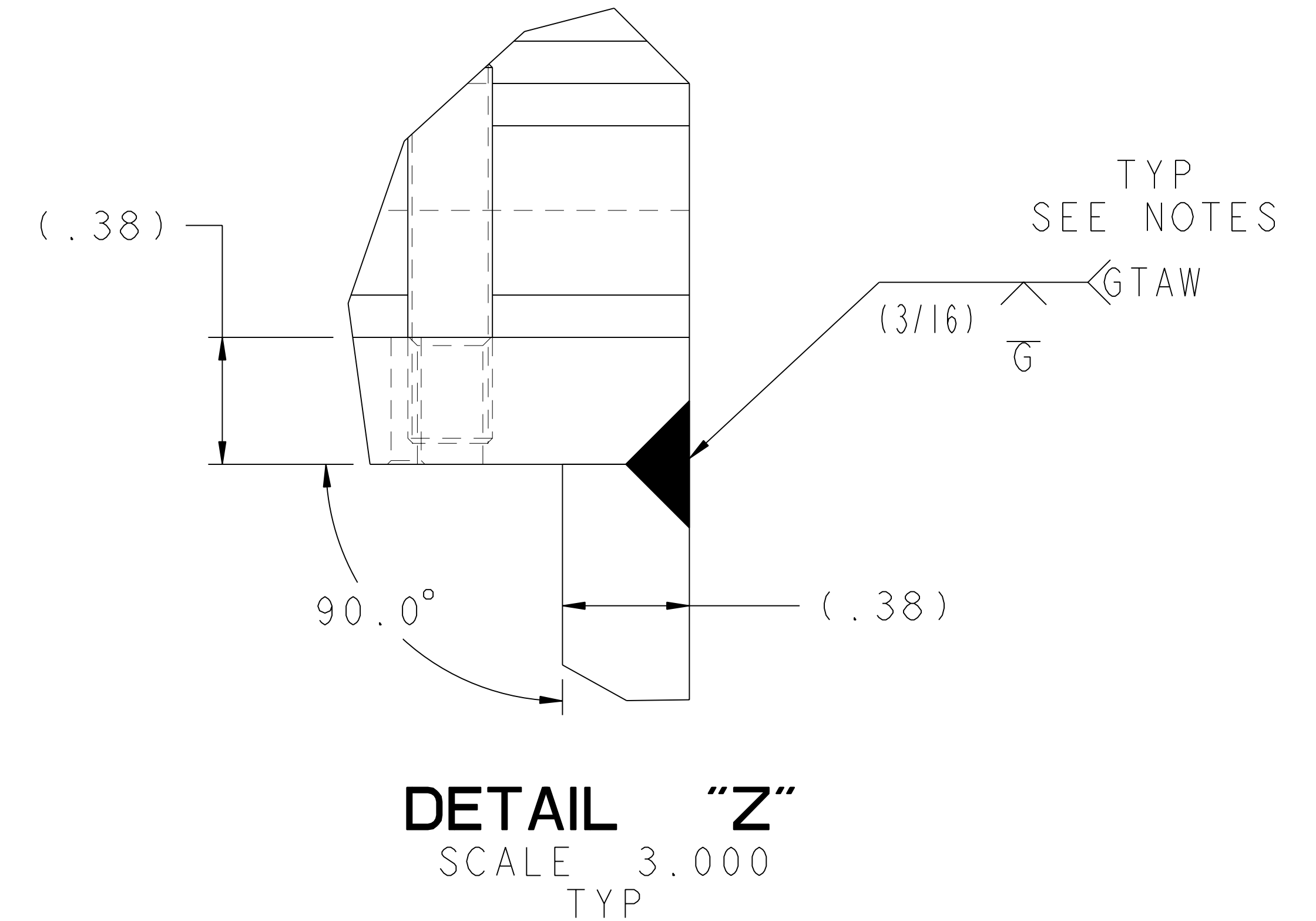
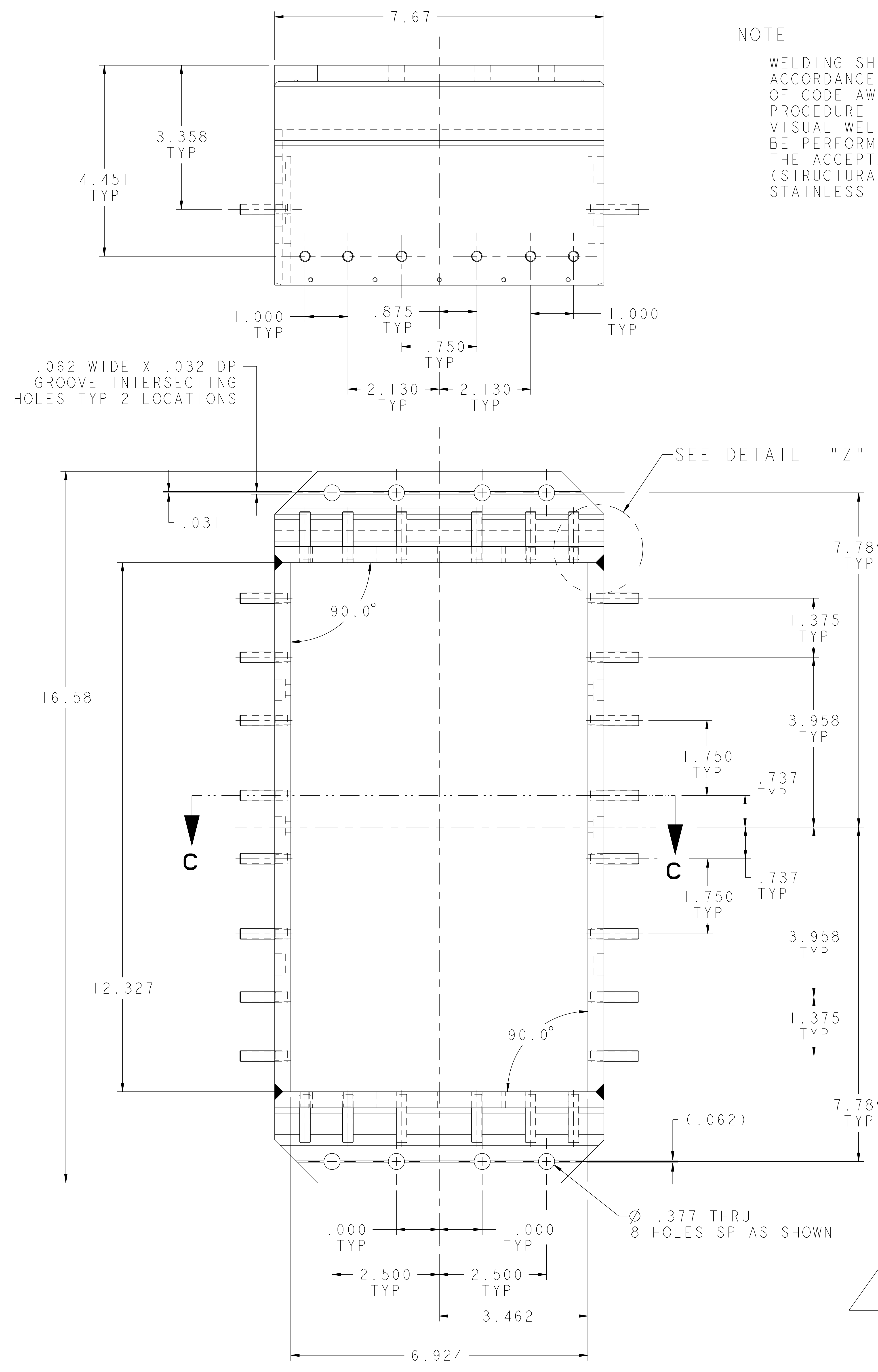


NOTE

WELDING SHALL BE PERFORMED IN ACCORDANCE WITH THE REQUIREMENTS OF CODE AWS D1.6 AND PPPL PROCEDURE NO. EM-002. VISUAL WELD INSPECTION SHALL BE PERFORMED IN ACCORDANCE WITH THE ACCEPTANCE CRITERIA OF AWS D1.6 (STRUCTURAL WELDING OF AUSTENITIC STAINLESS STEEL.)



1/4-20 UNC THRU FOR 1/4 STUD (PART #1) 28 HOLES SP AS SHOWN

PART NO.	DRAWING NO	NOMENCLATURE OR DESCRIPTION	MATERIAL	SPECIFICATION	QTY	REOD
PARTS LIST						
COMPUTER GENERATED DRAWING MANUAL CHANGES NOT PERMITTED	CENTRAL FILES: UNLESS OTHERWISE SPECIFIED	PRINCETON PLASMA PHYSICS LABORATORY PRINCETON UNIVERSITY MIT ALCATOR C-MOD				
Pro E	DIMENSIONS ARE IN INCHES MACHINE SURFACES ∇	HEATING SYSTEMS LOWER HYBRID PROJECT COUPLER TILE COLLAR WELDMENT/ASSEMBLY				
DO NOT VERIFY INFORMATION BY SCALING DRAWING	BREAK SHARP EDGES .005/.020	TOLERANCES NON-CUMULATIVE	DIV: MECH. ENG.	DATE:	CADD FILE:	CO1E243183 DRW
SCALE 1.000	DECIMAL-INCH FRACTIONS	ENG: D. LOESSER	APPROVED	CO1E243183		
NEXT ASSEMBLY	.XX ±.000 .125-.125 ±.110 .XXX ±.005 .75-.120 ±.114 ANGULAR ±.0°-15° OVER 120° ±.112	CHK:	CHK SUPV:			
WELDING ENGINEER	APPVD: DATE:	CHK:	CHK SUPV:	SHEET 2 OF 2 REV 0		

MIT-CO1E243183