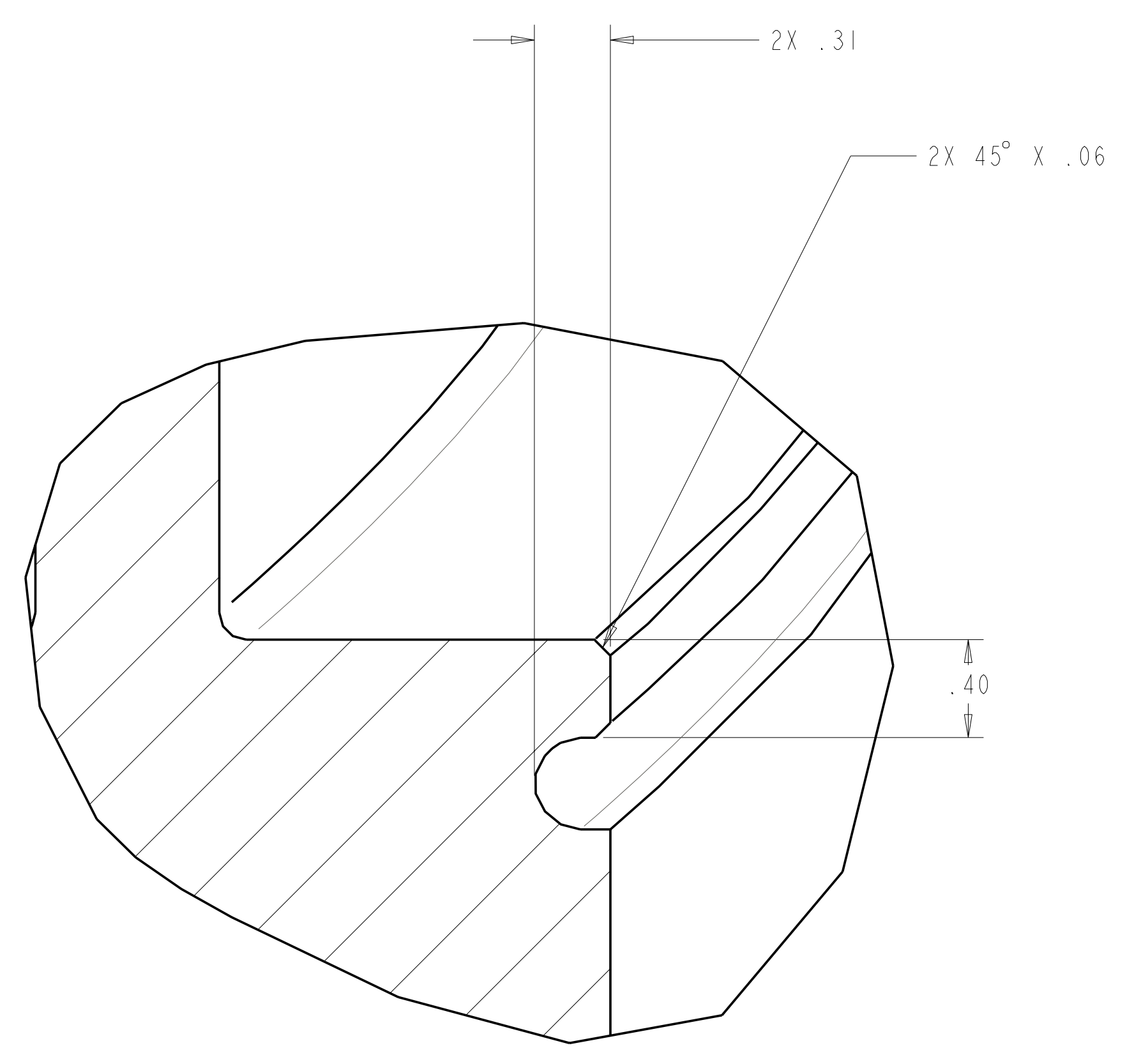


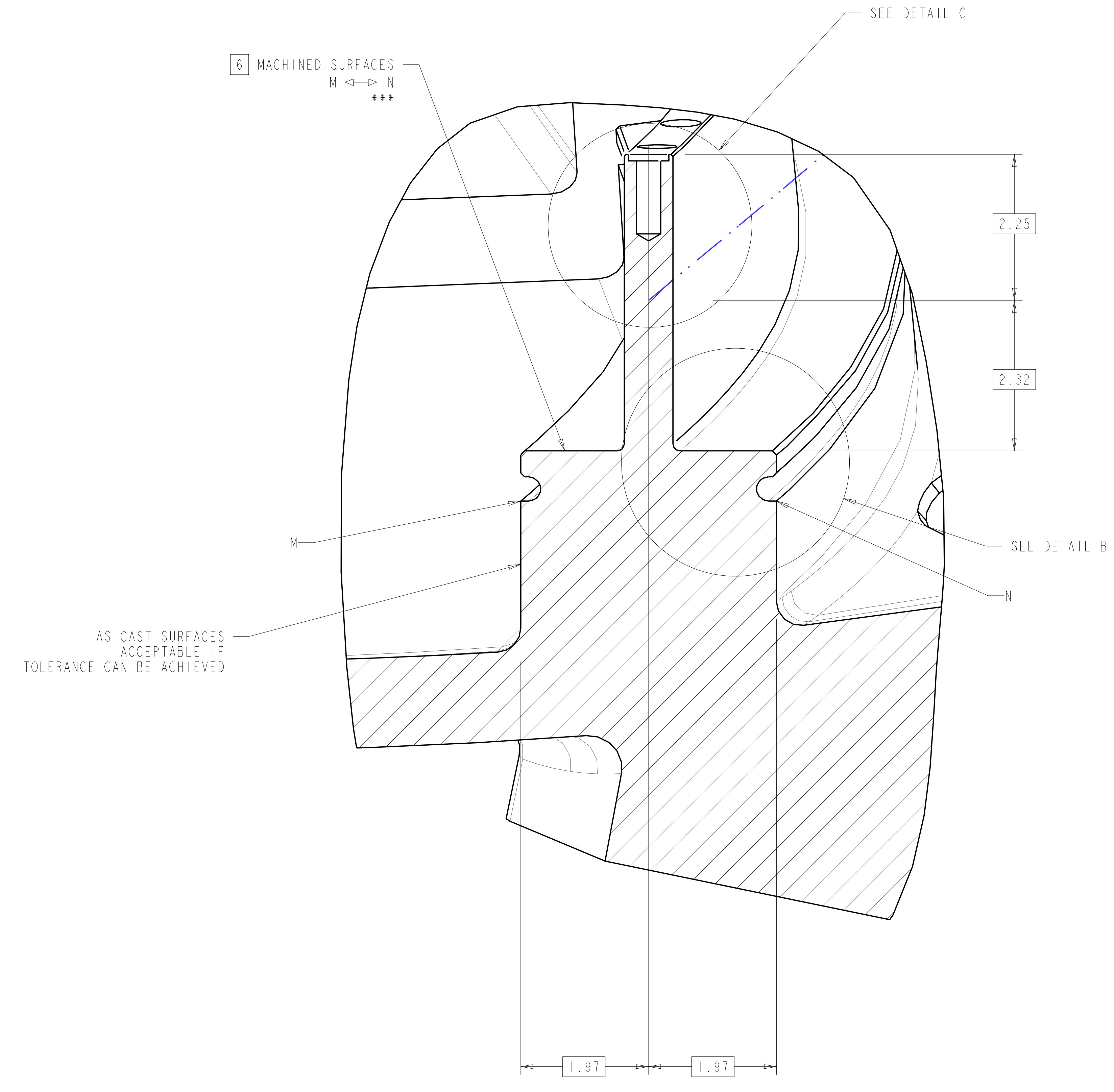




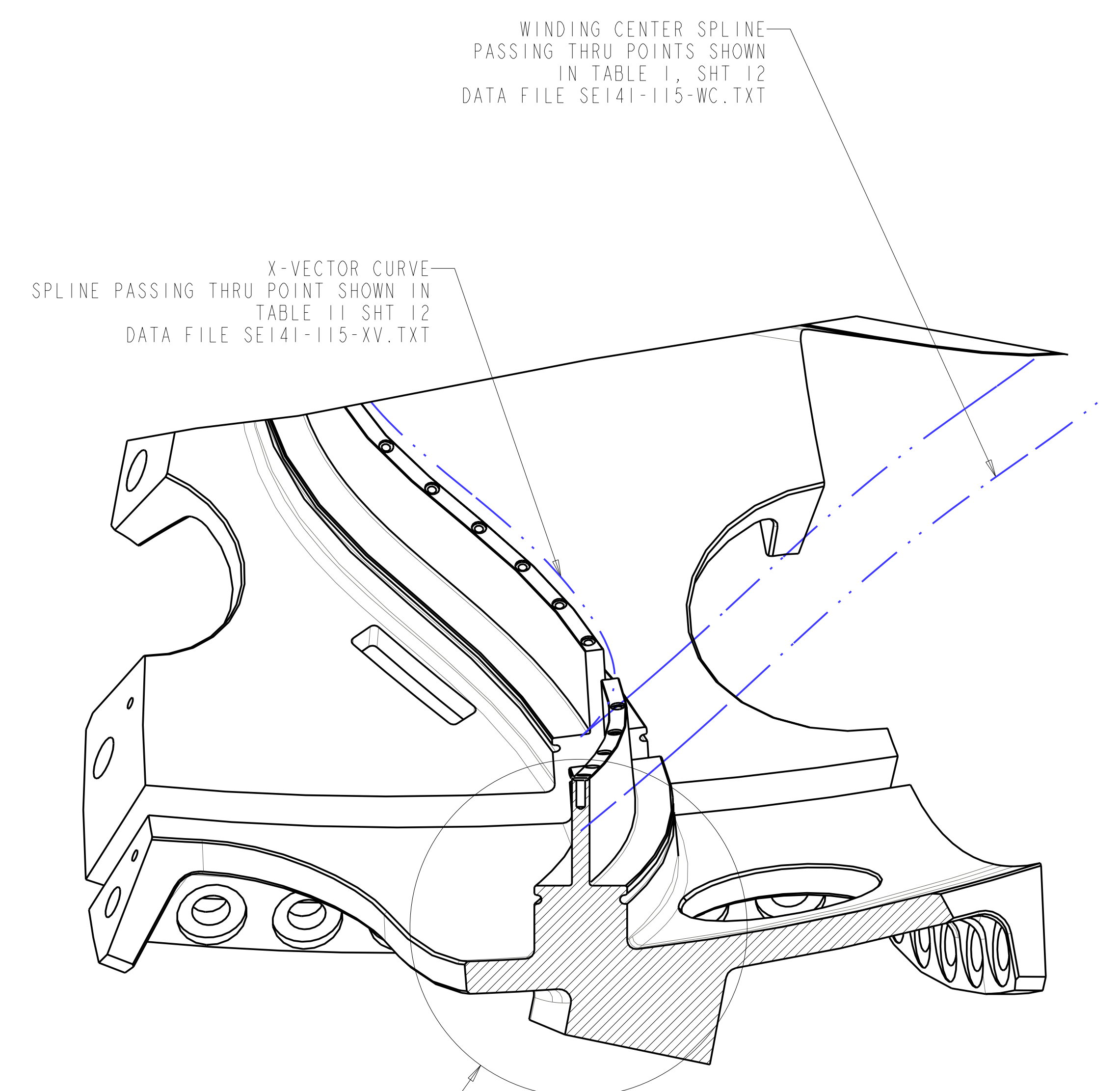
FOR NOTES AND PARTS LIST SEE SHEET 1



DETAIL B  
SCALE 2.00

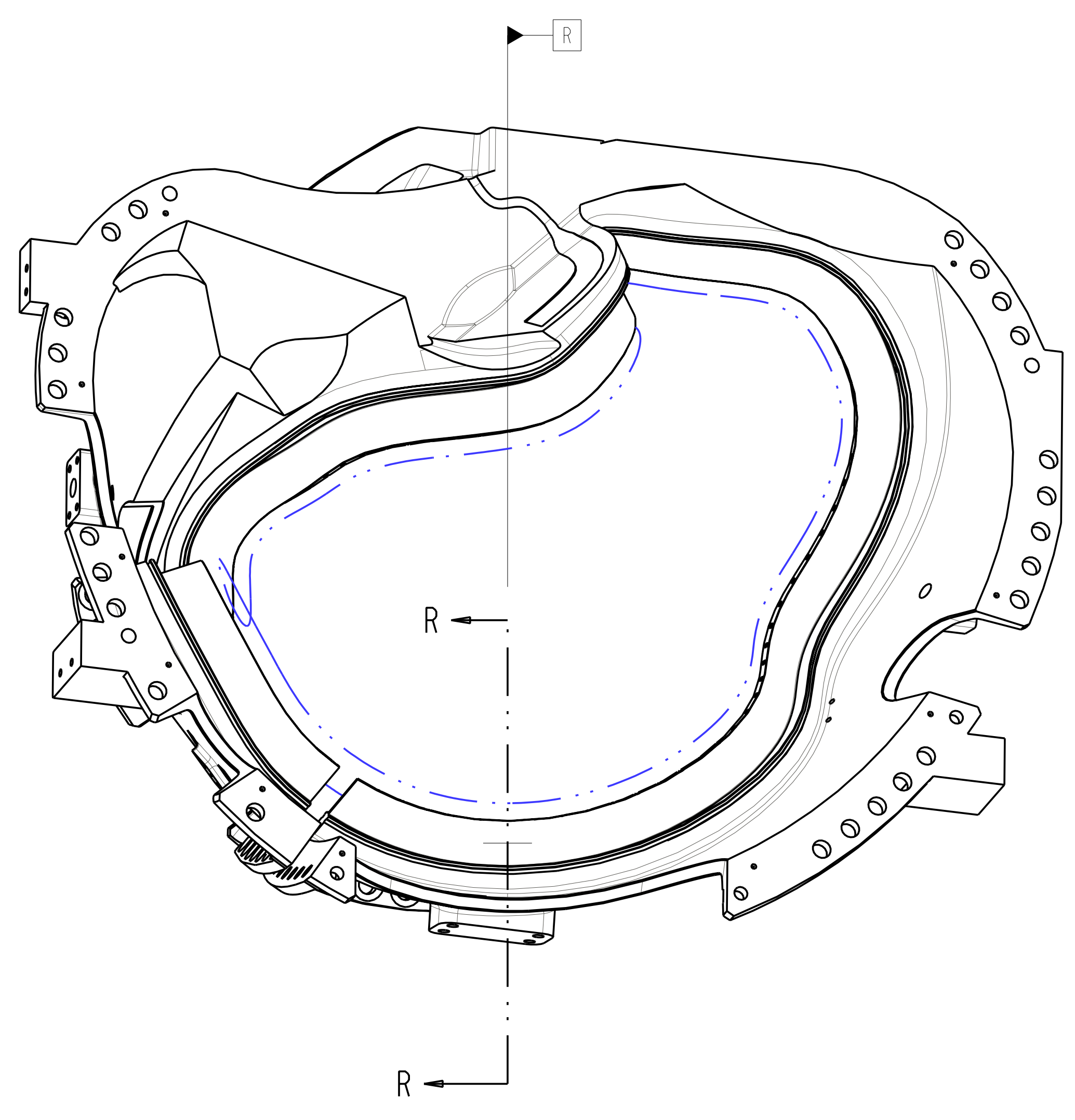


DETAIL A  
SCALE 1.00  
TYPICAL FOR ALL POINTS ALONG WINDING CENTER

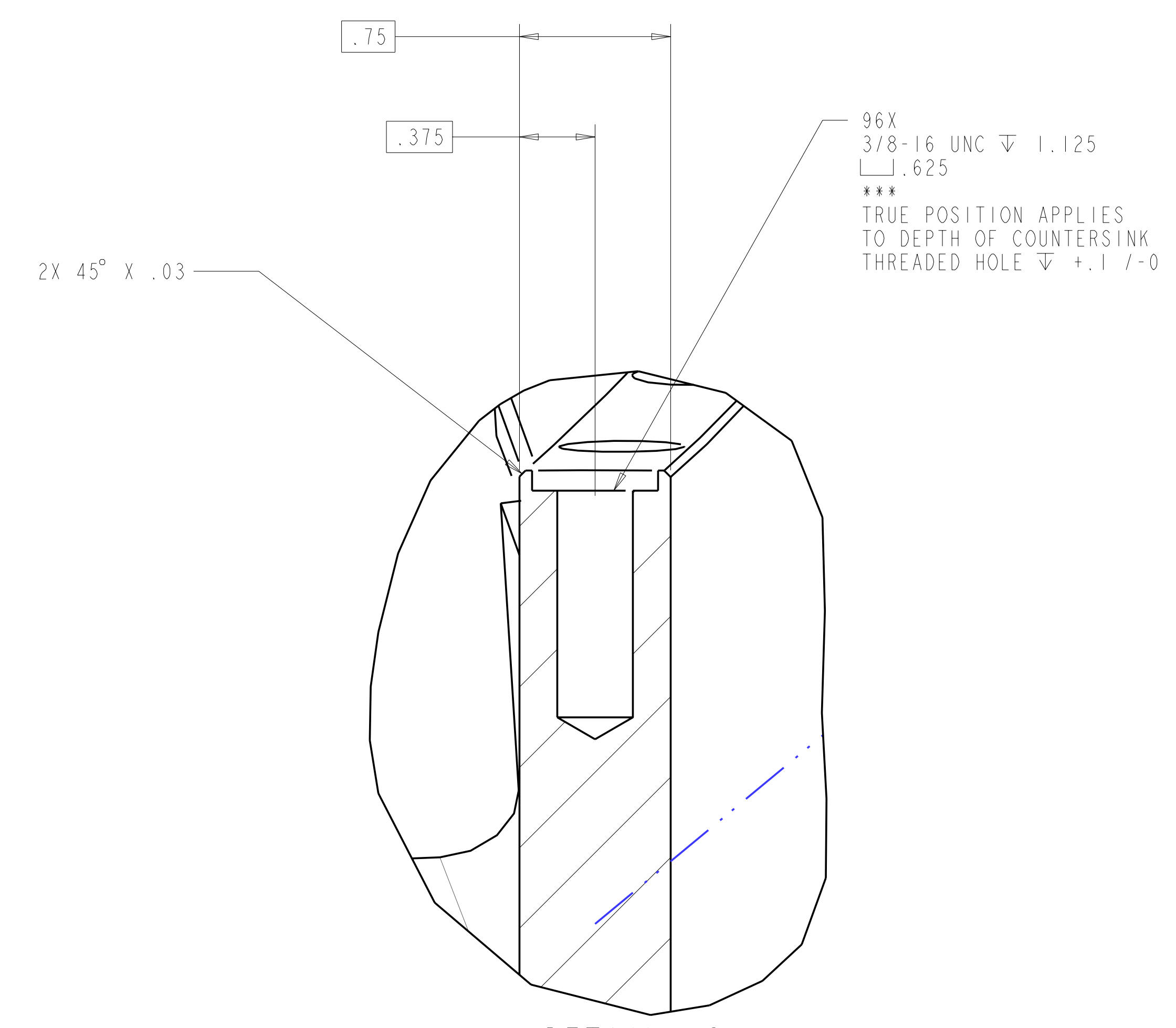


SEE DETAIL A

SECTION R-R  
SCALE 0.25



DATUM R = PLANE NORMAL TO WINDING CENTER  
 DATUM S = PLANE PASSING THRU WINDING CENTER AND X VECTOR AT DATUM R  
 DATUM T = PLANE PASSING THRU WINDING CENTER ORTHOGONAL TO DATUM S



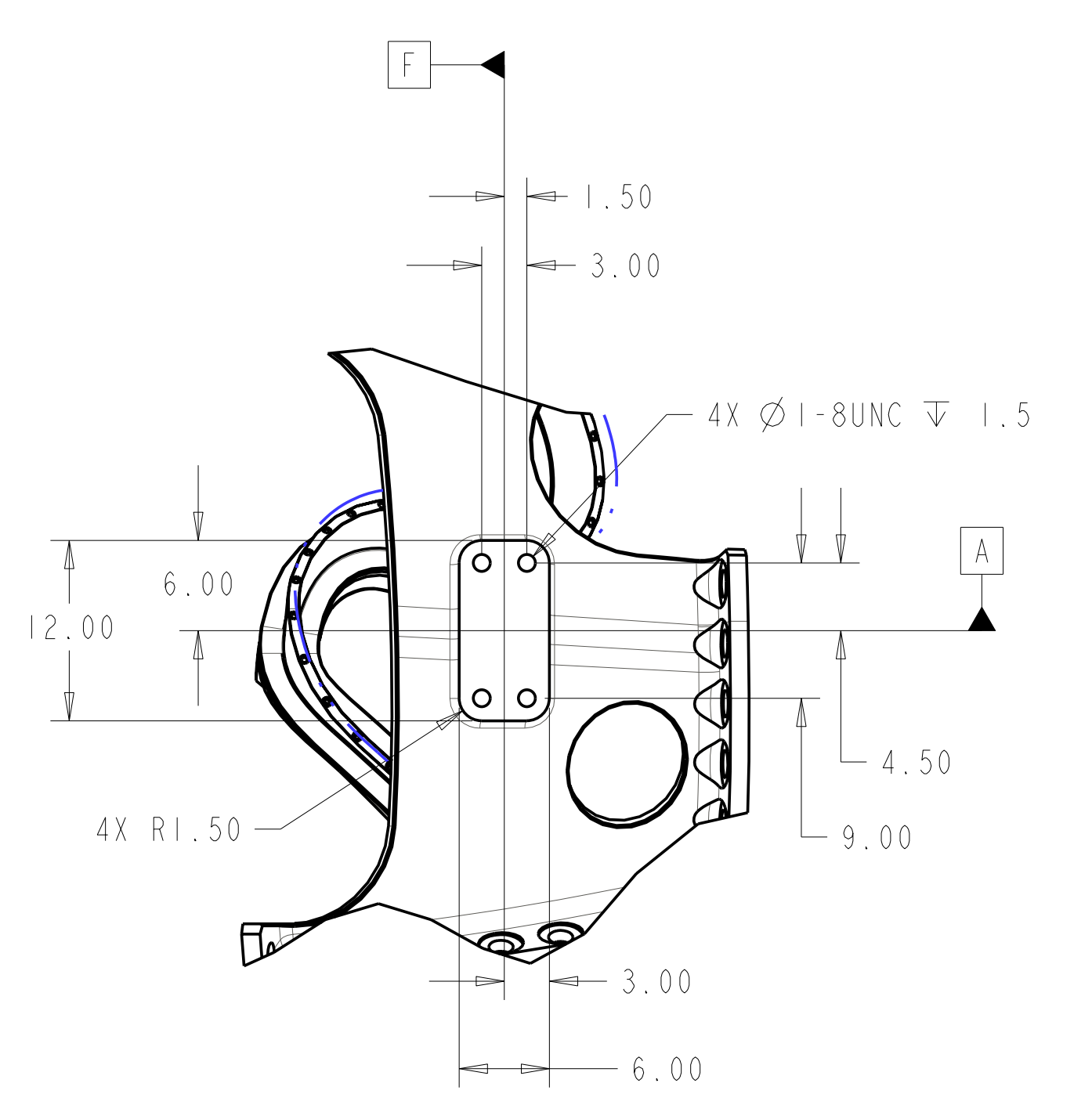
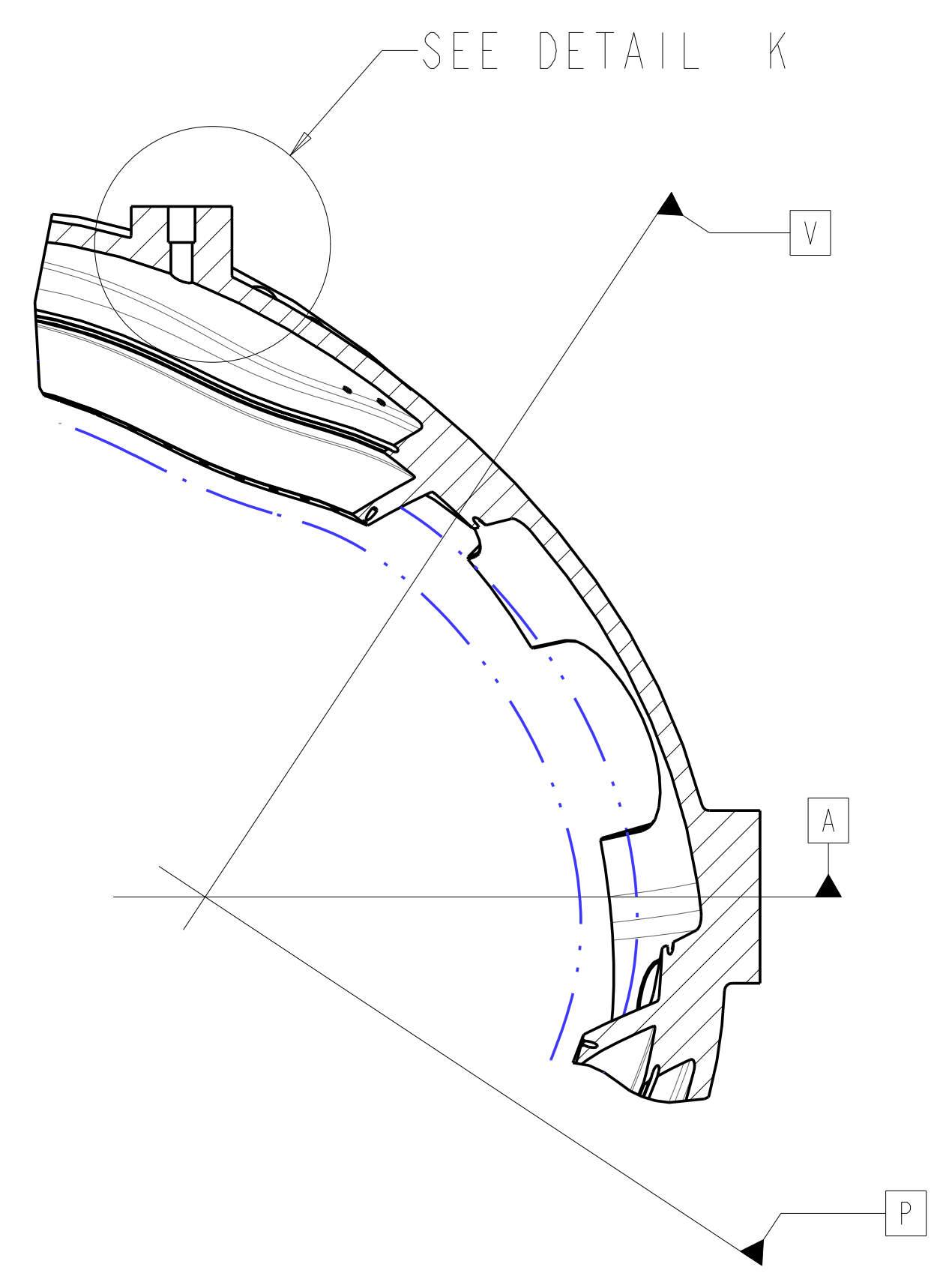
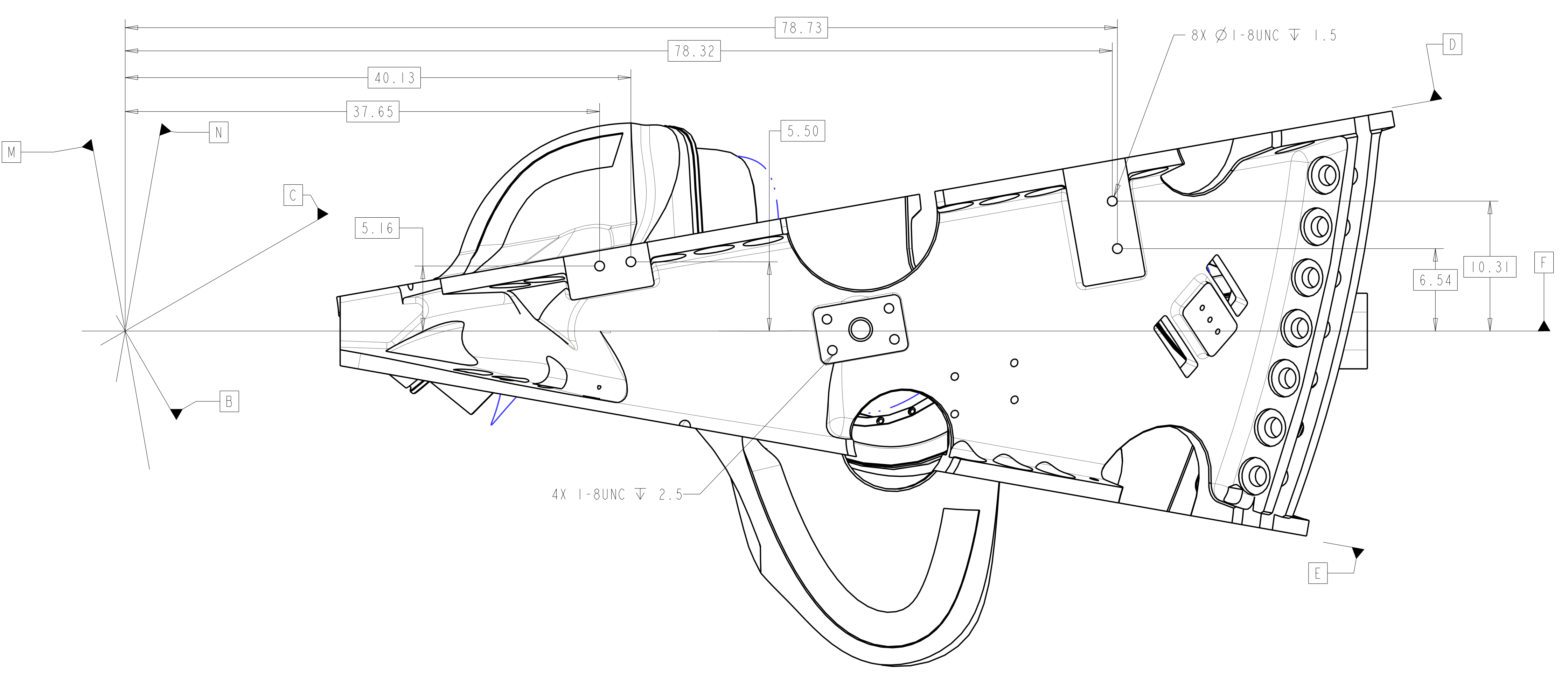
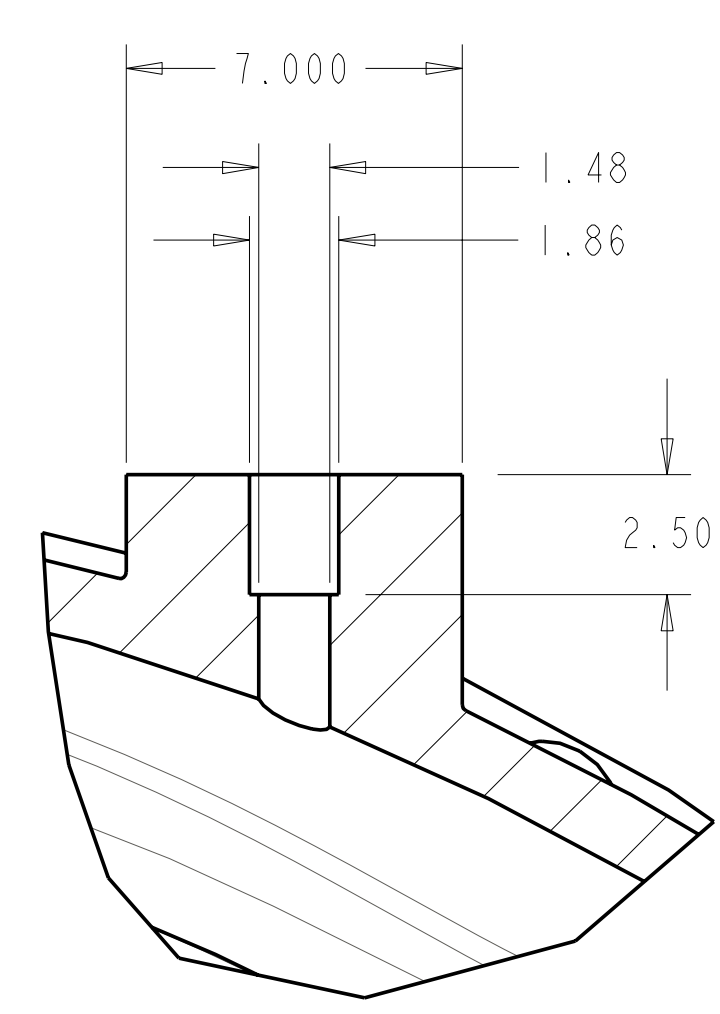
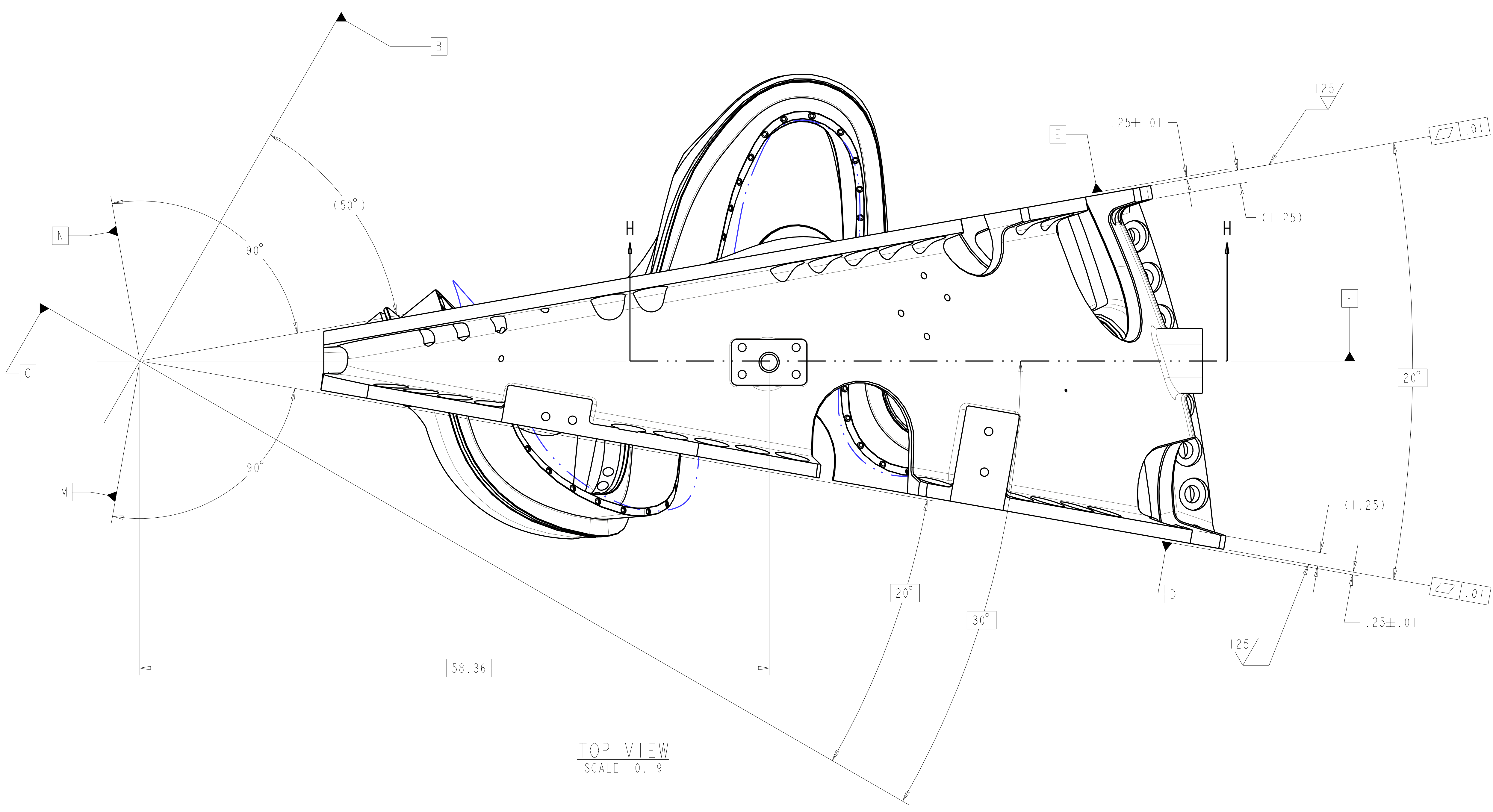
DETAIL C  
SCALE 2.00

|  |           |      |    |        |      |       |   |
|--|-----------|------|----|--------|------|-------|---|
| Oak Ridge National Laboratory<br>managed for the DEPARTMENT OF ENERGY under<br>U.S. GOVERNMENT contract DE-AC05-00OR22725<br>UT-BATTELLE, LLC, Oak Ridge, Tennessee<br>PROJECT NAME: |           |      |    |        |      |       |   |
| <b>UT-BATTELLE</b><br>NATIONAL COMPACT STELLARATOR EXPERIMENT  |           |      |    |        |      |       |   |
| PRODUCTION WINDING FORM TYPE-B   |           |      |    |        |      |       |   |
| VERSION NO.  | PLANT     | BLDG | FL | SHT OF | TYPE | CLASS |   |
| 3  | X-10      | 5700 | 3  | 2      | 12   | S     | U |
| RELEASE LEVEL  | SEI41-115 |      |    |        |      |       |   |
| WIP  |           |      |    |        |      |       |   |

SEI41-115



FOR NOTES AND PARTS LIST SEE SHEET I

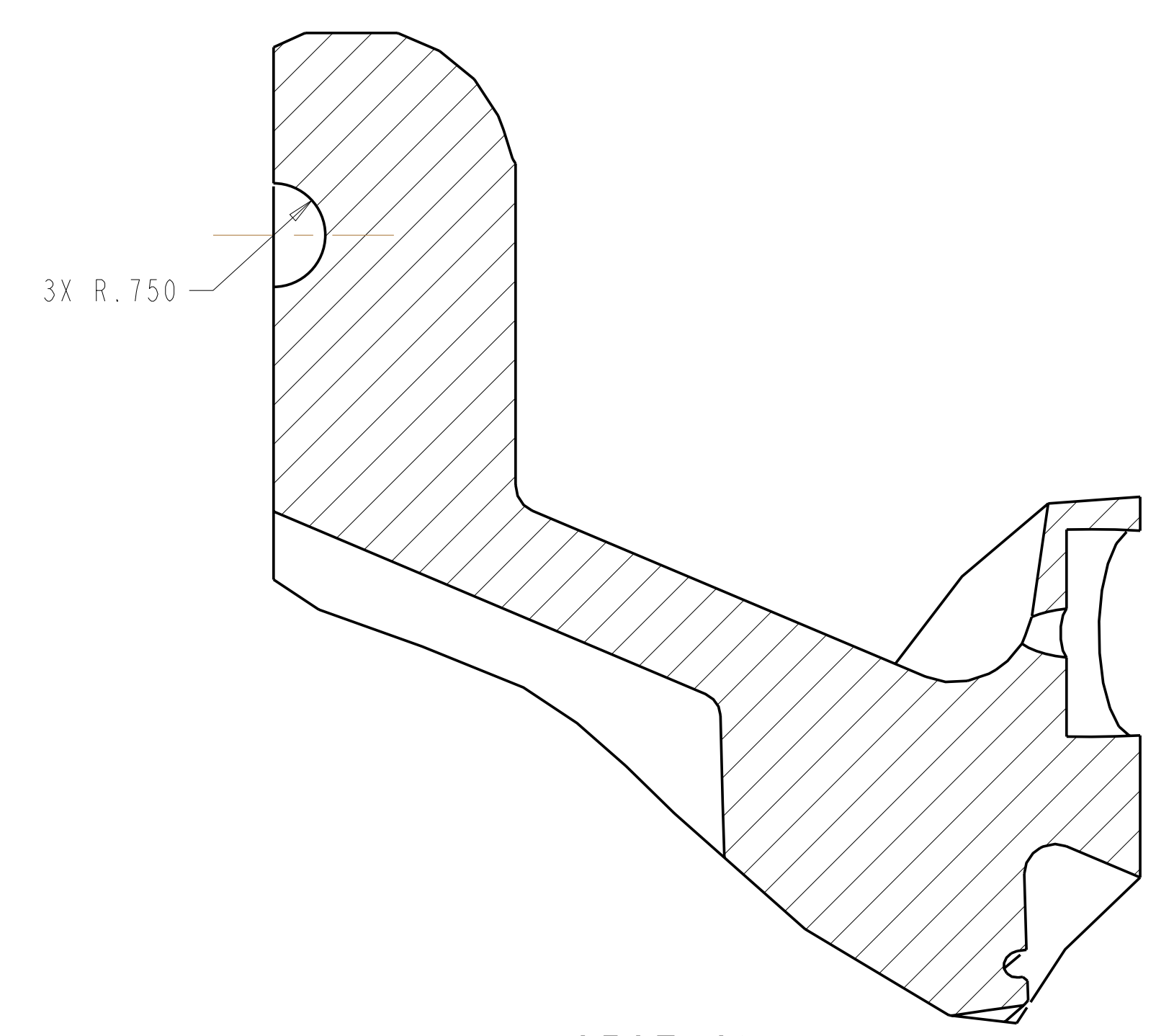
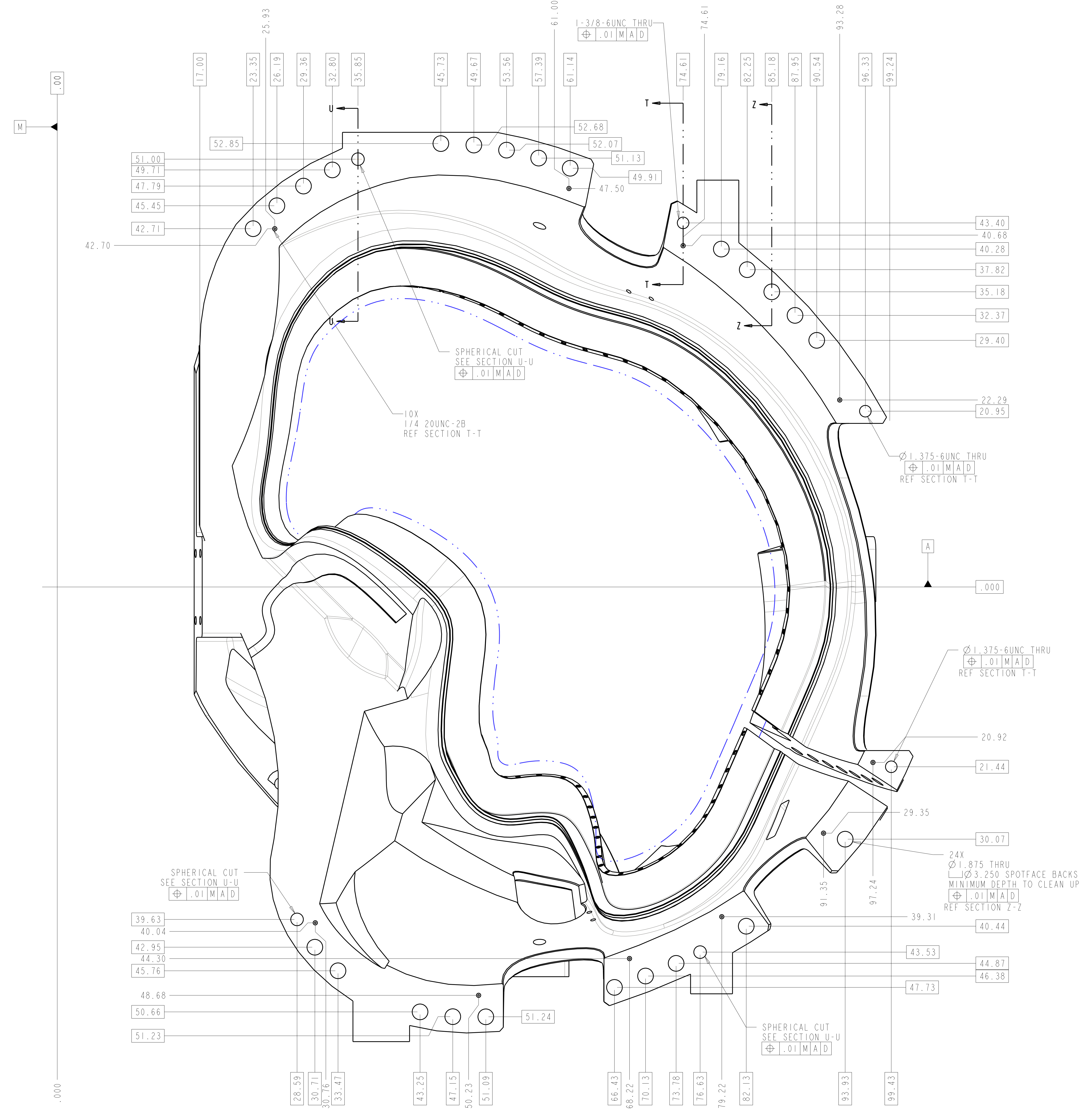


|   |       |           |    |        |      |       |   |
|---|-------|-----------|----|--------|------|-------|---|
| Oak Ridge National Laboratory<br>managed for the DEPARTMENT OF ENERGY under<br>U.S. GOVERNMENT contract DE-AC05-00OR22725<br>UT-BATTELLE, LLC, Oak Ridge, Tennessee<br>PROJECT NAME |       |           |    |        |      |       |   |
| <b>UT-BATTELLE</b><br>NATIONAL COMPACT STELLARATOR EXPERIMENT   |       |           |    |        |      |       |   |
| PRODUCTION WINDING FORM TYPE-B  |       |           |    |        |      |       |   |
| VERSION NO.   | PLANT | BLDG      | FL | SHT OF | TYPE | CLASS |   |
| 3   | X-10  | 5700      | 3  | 3      | 12   | S     | U |
| RELEASE LEVEL   |       | SEI41-115 |    |        |      |       |   |
| WIP   |       |           |    |        |      |       |   |

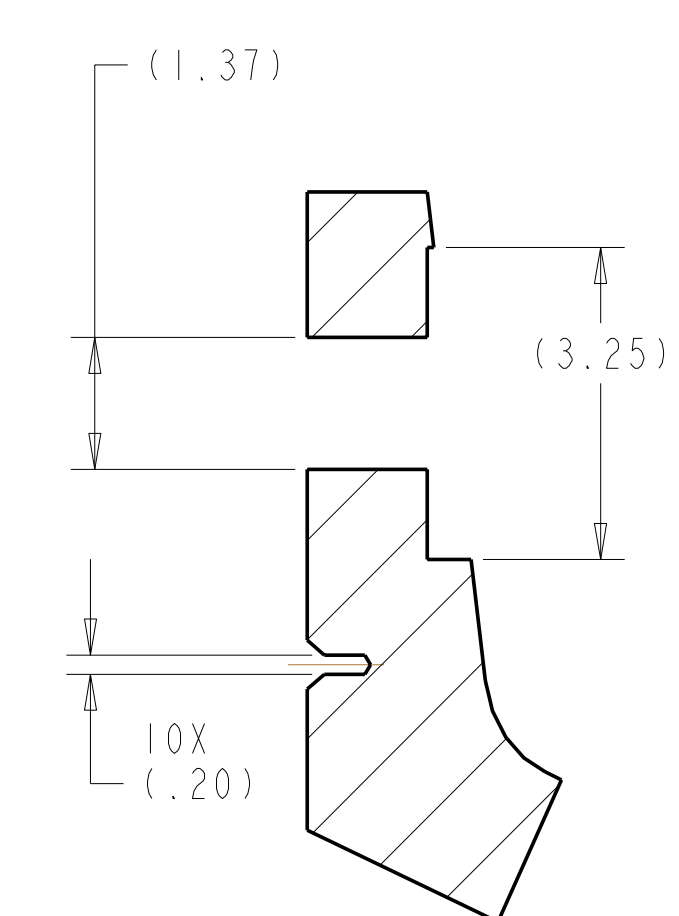
SEI41-115



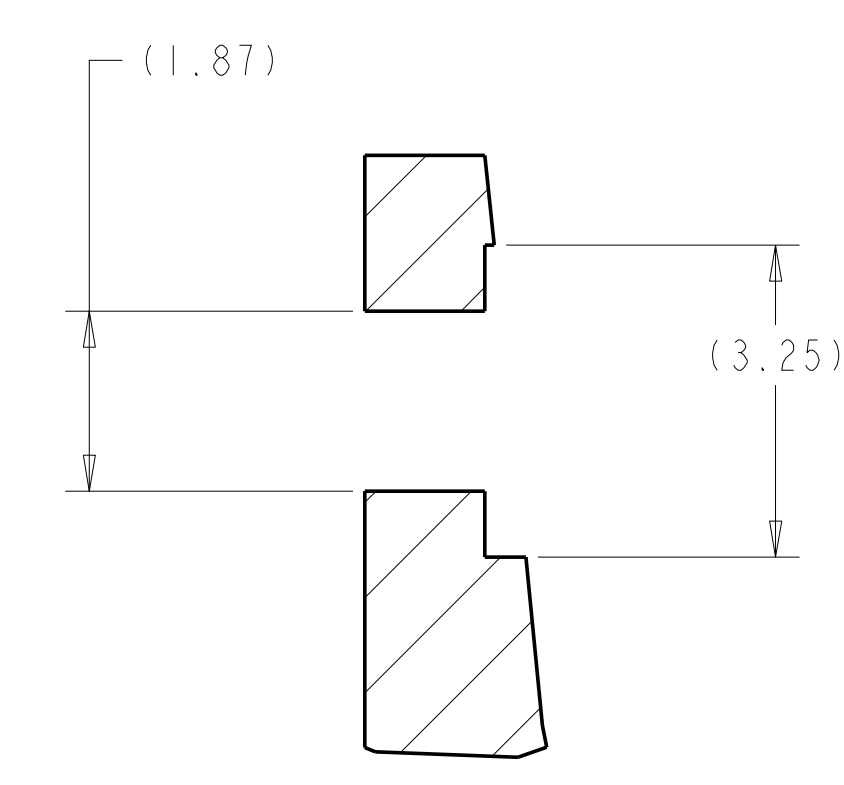
FOR NOTES AND PARTS LIST SEE SHEET I



SECTION U-U  
SCALE 0.5



SECTION T-T  
SCALE 0.50



SECTION Z-Z  
SCALE 0.50

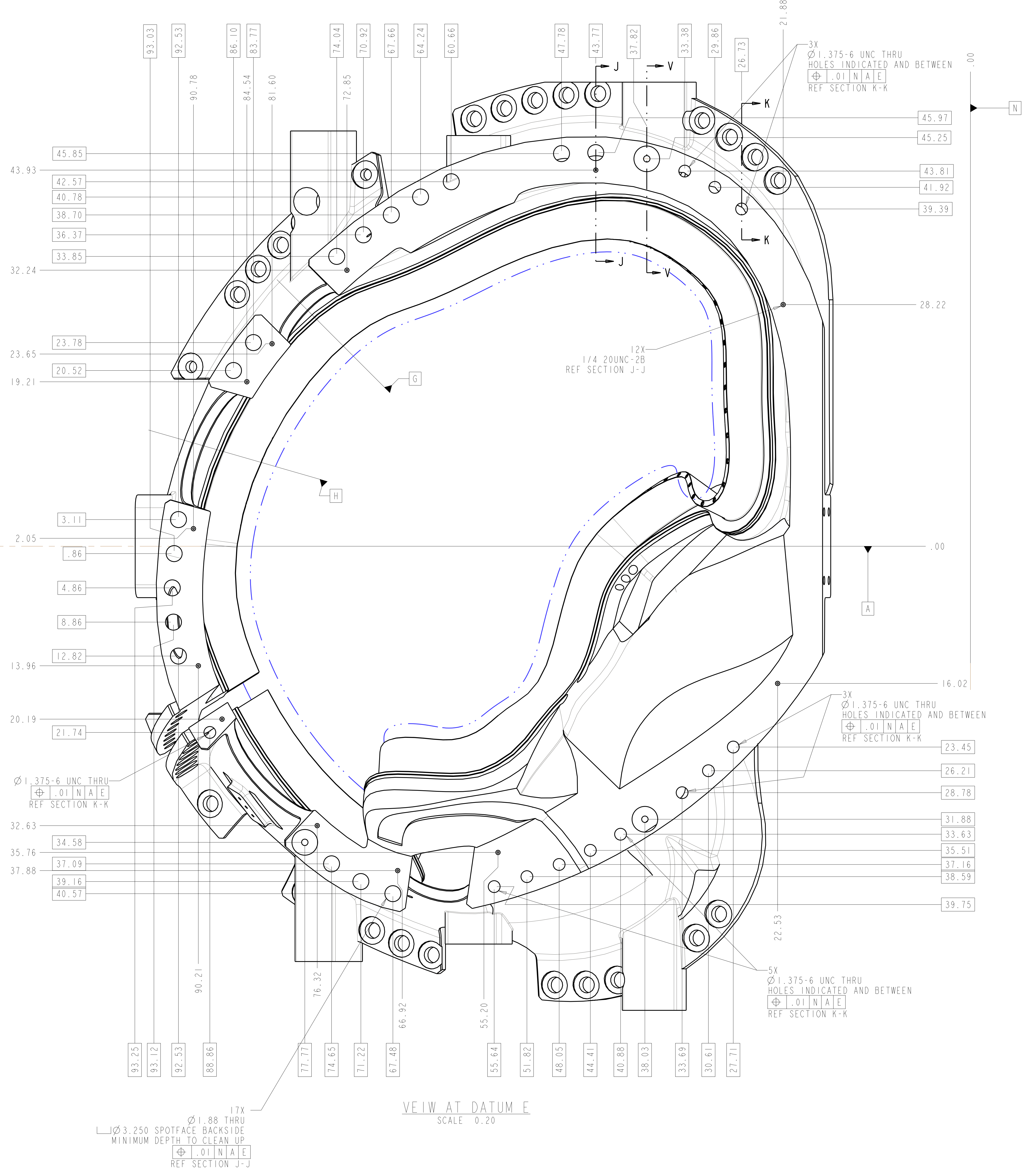
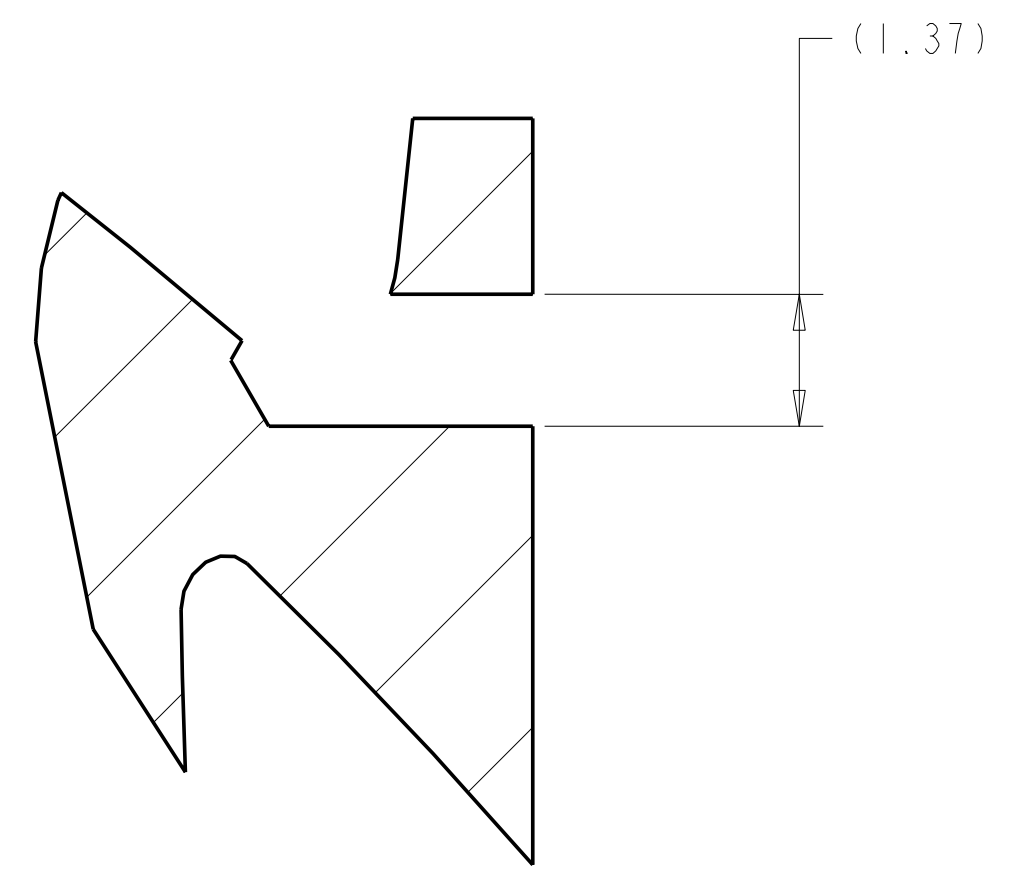
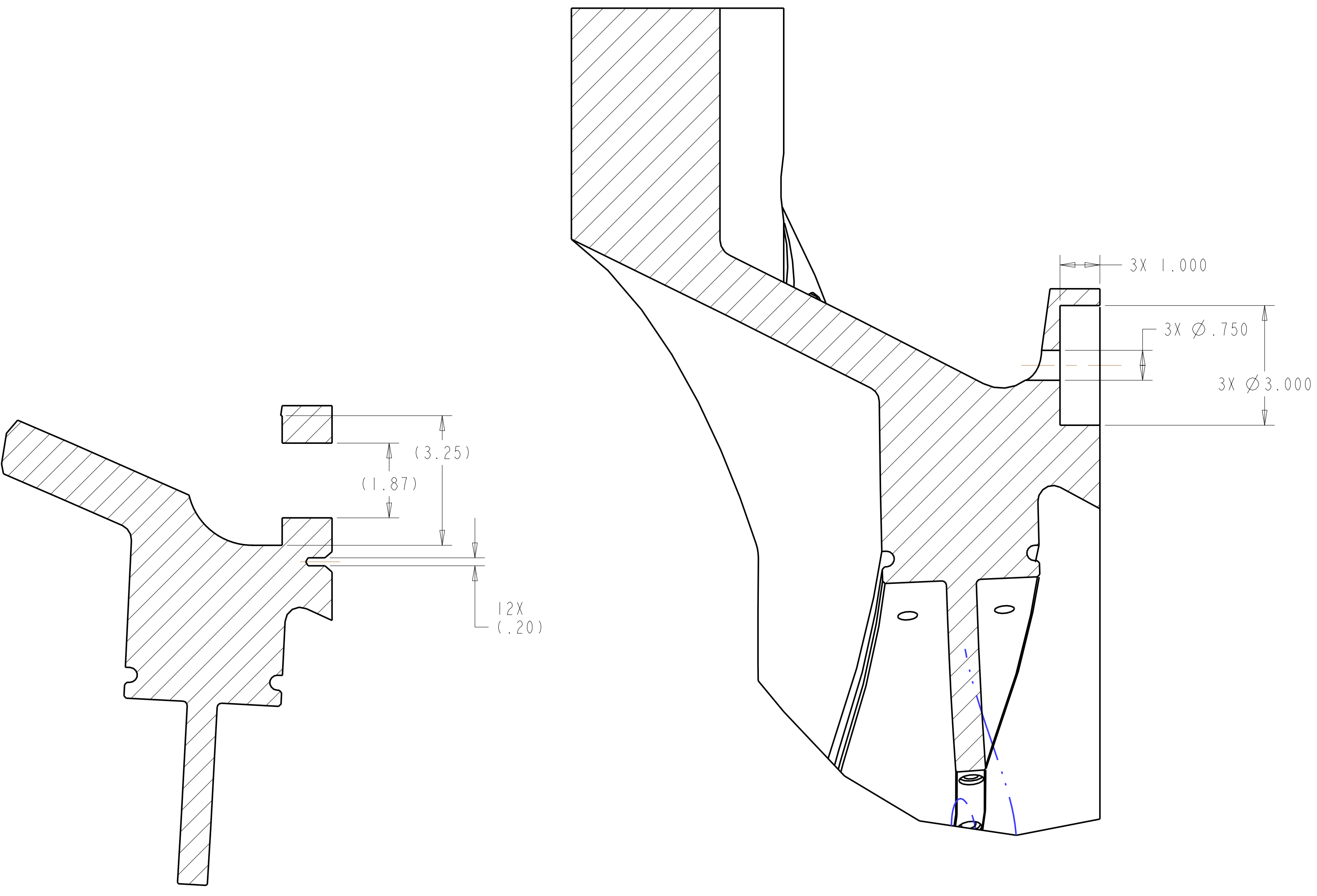
VIEW AT DATUM D  
SCALE 0.20

|  |           |      |    |        |      |       |
|--|-----------|------|----|--------|------|-------|
| <b>UT-BATTELLE</b> Oak Ridge National Laboratory<br>managed for the DEPARTMENT OF ENERGY under<br>U.S. GOVERNMENT contract DE-AC05-00OR22725<br>UT-BATTELLE, LLC, Oak Ridge, Tennessee<br>PROJECT NAME |           |      |    |        |      |       |
| <b>NATIONAL COMPACT STELLARATOR EXPERIMENT</b>   |           |      |    |        |      |       |
| <b>PRODUCTION WINDING FORM TYPE-B</b>  |           |      |    |        |      |       |
| VERSION NO.  | PLANT     | BLDG | FL | SHT OF | TYPE | CLASS |
| 3  | X-10      | 5700 | 3  | 4      | 12   | S U   |
| RELEASE LEVEL  | SEI41-115 |      |    |        |      | REV   |
| WIP  |           |      |    |        |      | I     |

SEI41-115

A

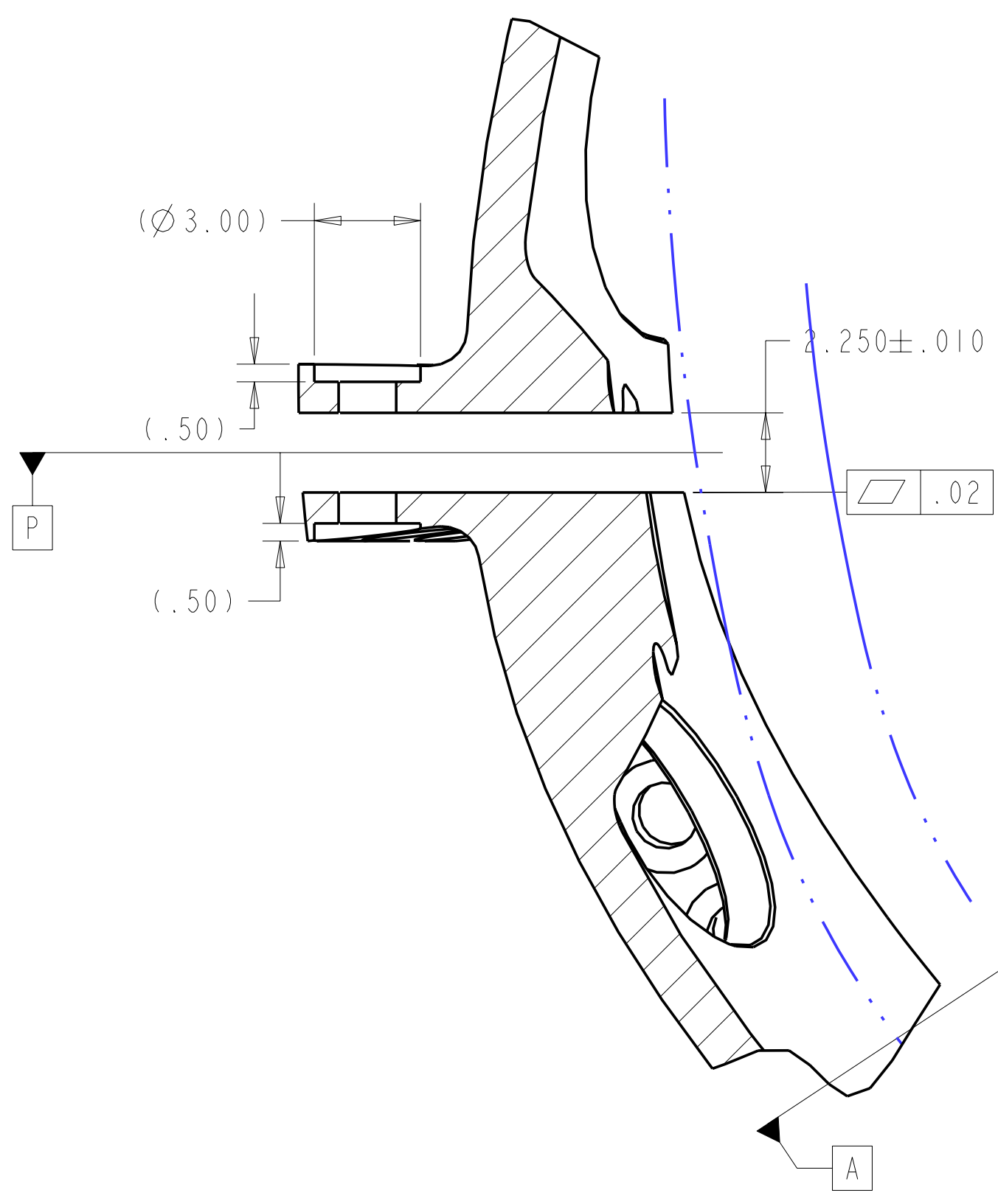
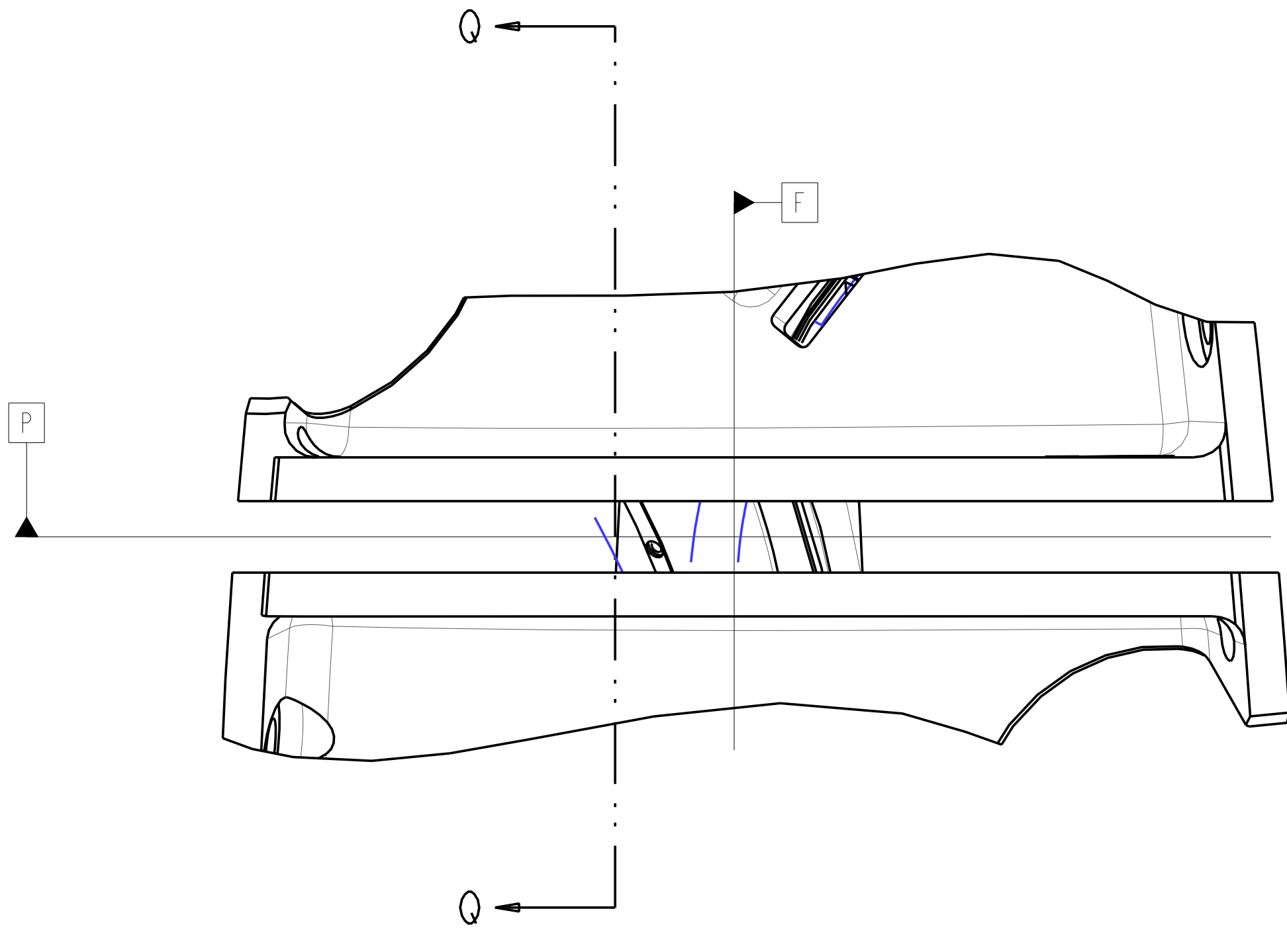




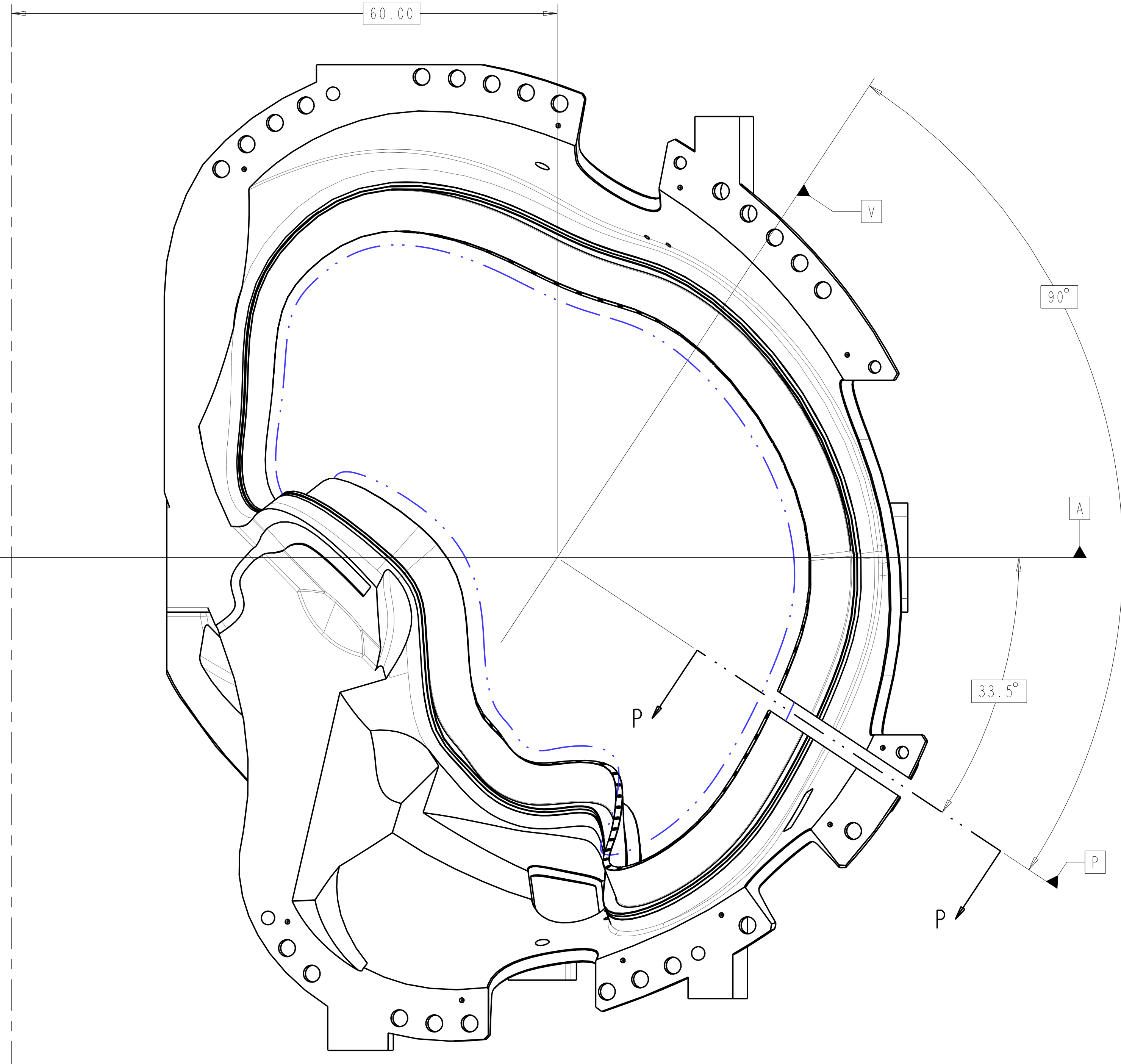
|   |           |      |    |        |      |       |
|---|-----------|------|----|--------|------|-------|
| Oak Ridge National Laboratory<br>managed for the DEPARTMENT OF ENERGY under<br>U.S. GOVERNMENT contract DE-AC05-00OR22725<br>UT-BATTELLE, LLC, Oak Ridge, Tennessee |           |      |    |        |      |       |
| NATIONAL COMPACT STELLARATOR EXPERIMENT   |           |      |    |        |      |       |
| PRODUCTION WINDING FORM TYPE-B  |           |      |    |        |      |       |
| VERSION NO.   | PLANT     | BLDG | FL | SHT OF | TYPE | CLASS |
| 3   | X-10      | 5700 | 3  | 5      | 12 S | U     |
| RELEASE LEVEL   | SEI41-115 |      |    |        |      | REV   |
| WIP   |           |      |    |        |      | 1     |



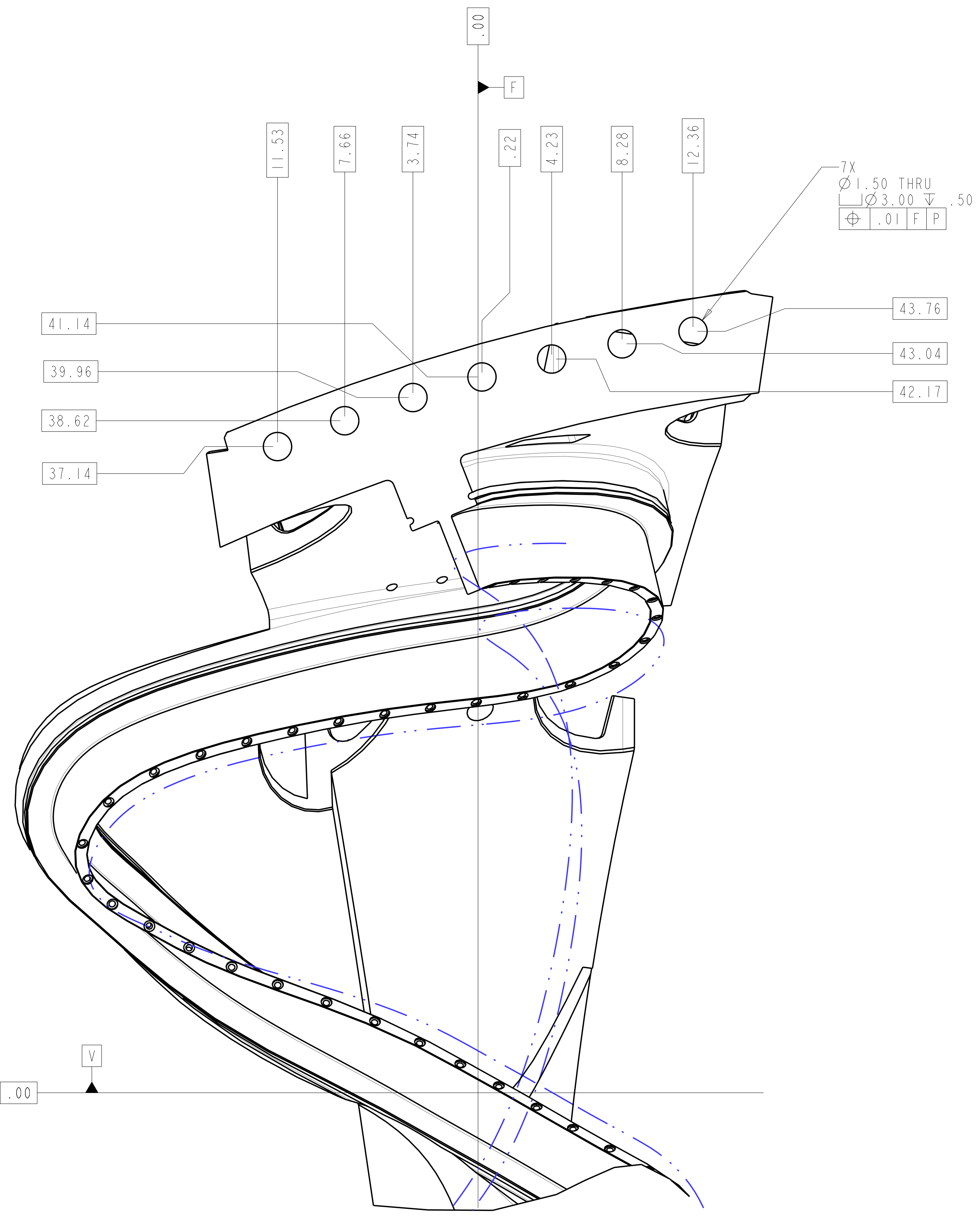
FOR NOTES AND PARTS LIST SEE SHEET 1



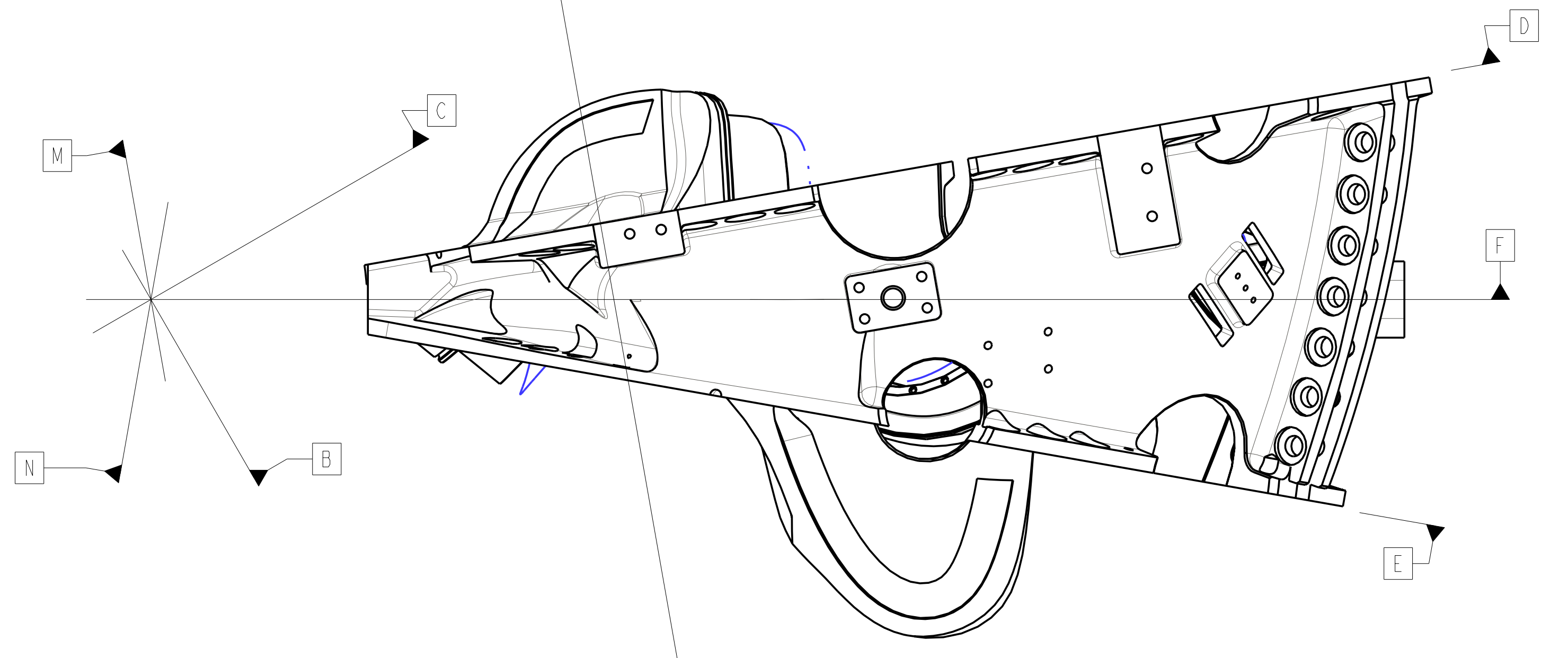
SECTION Q-Q



POLOIDAL BREAK DETAIL  
SCALE 0.13



SECTION P-P  
SCALE 0.25



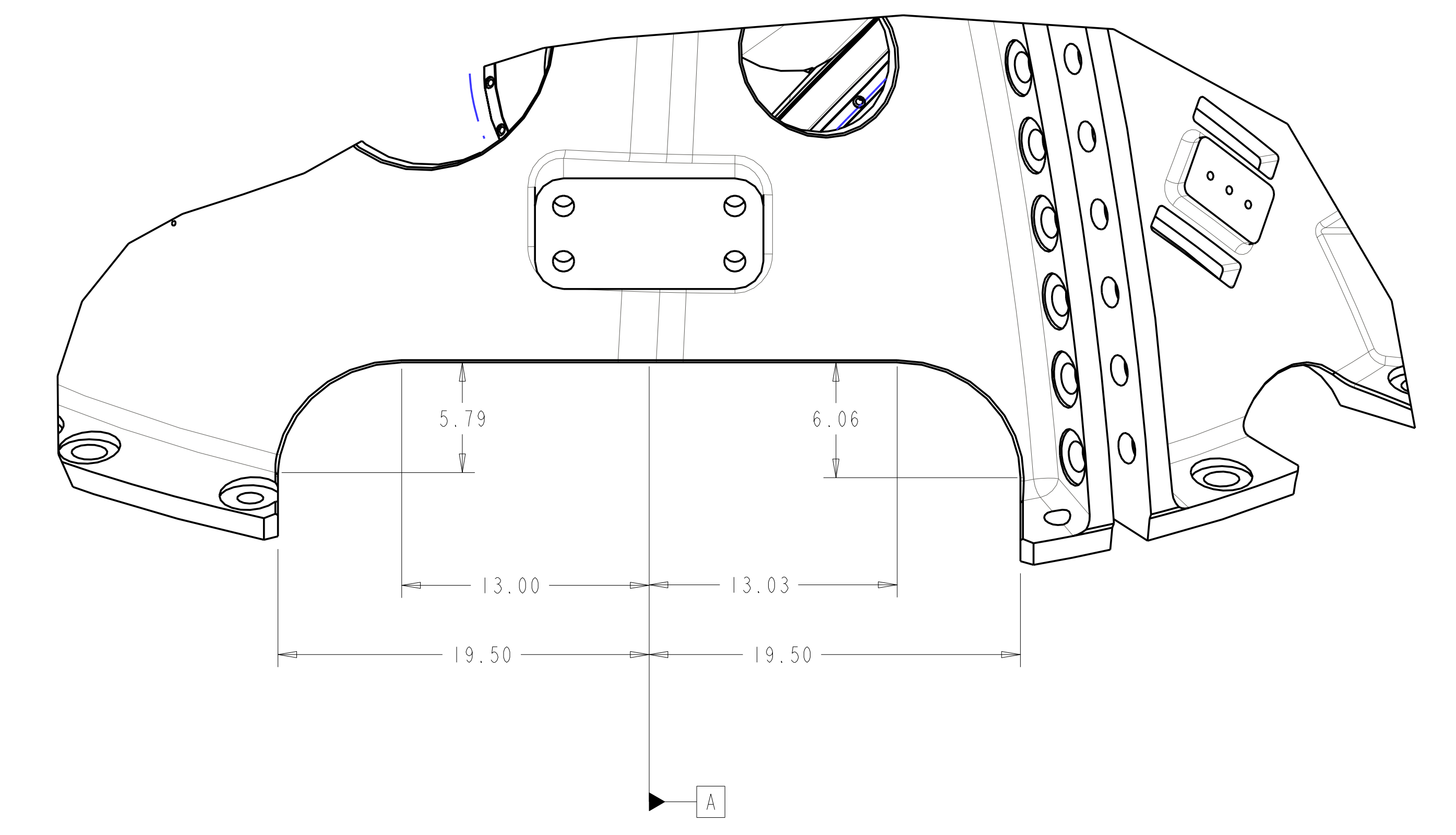
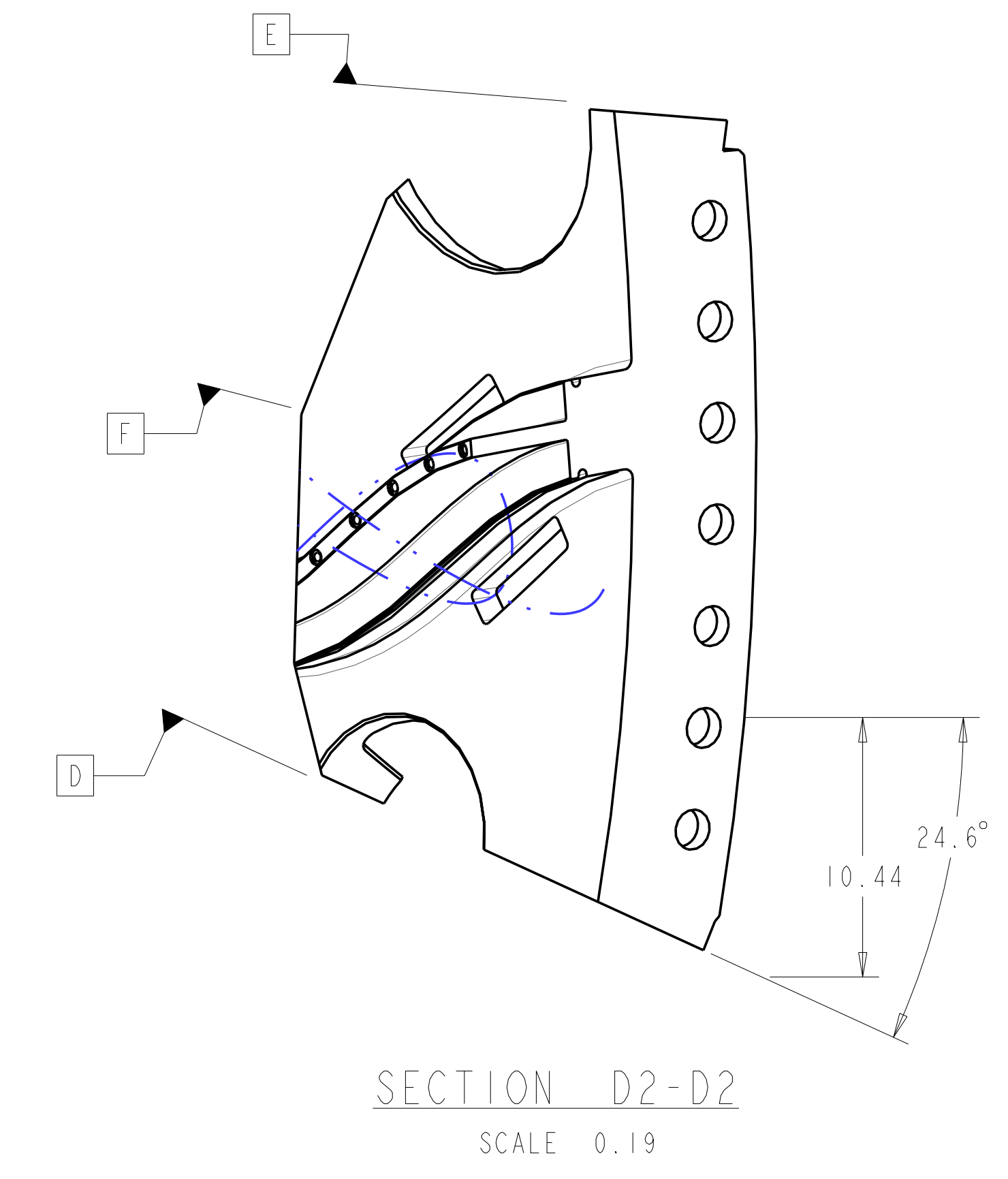
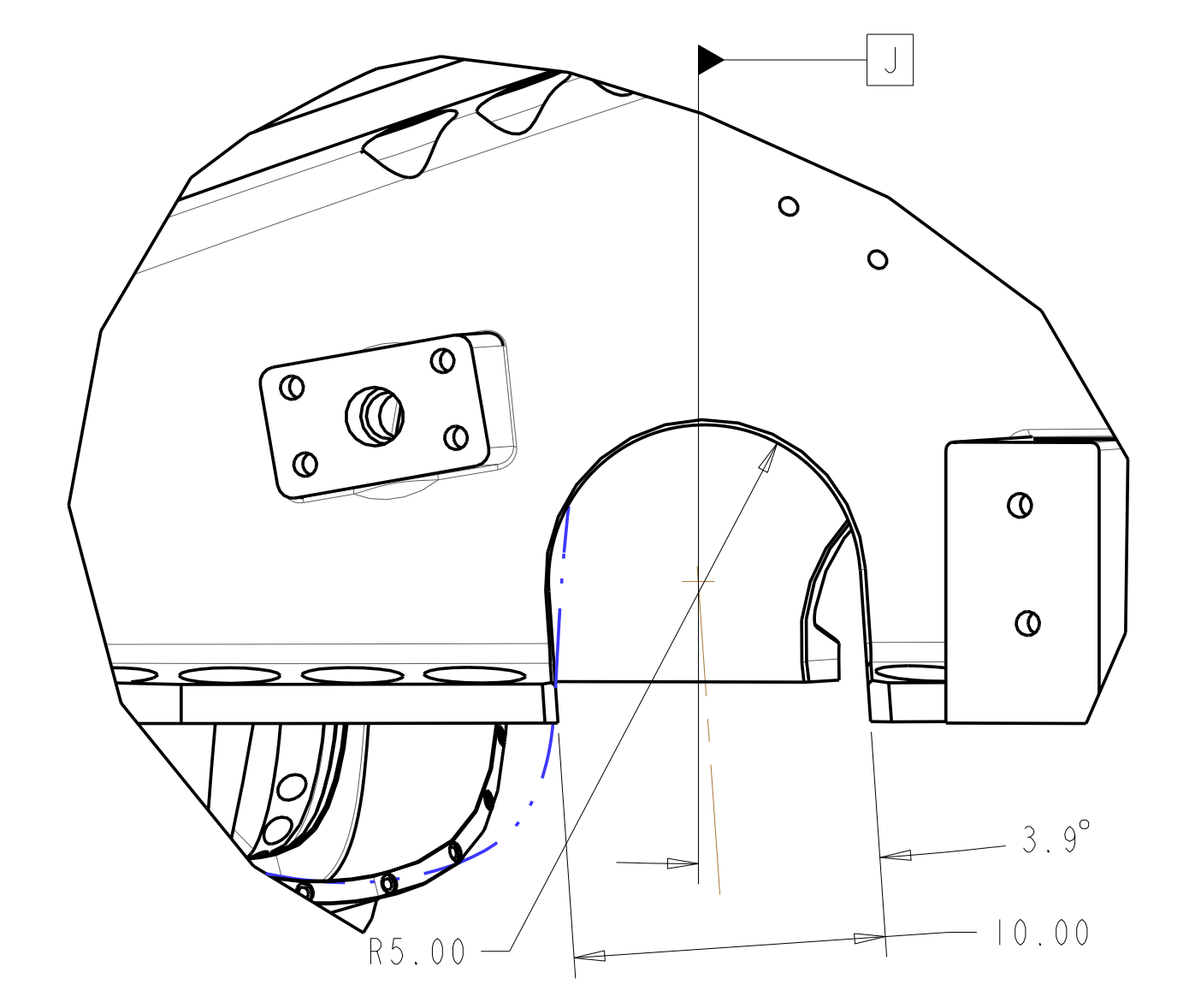
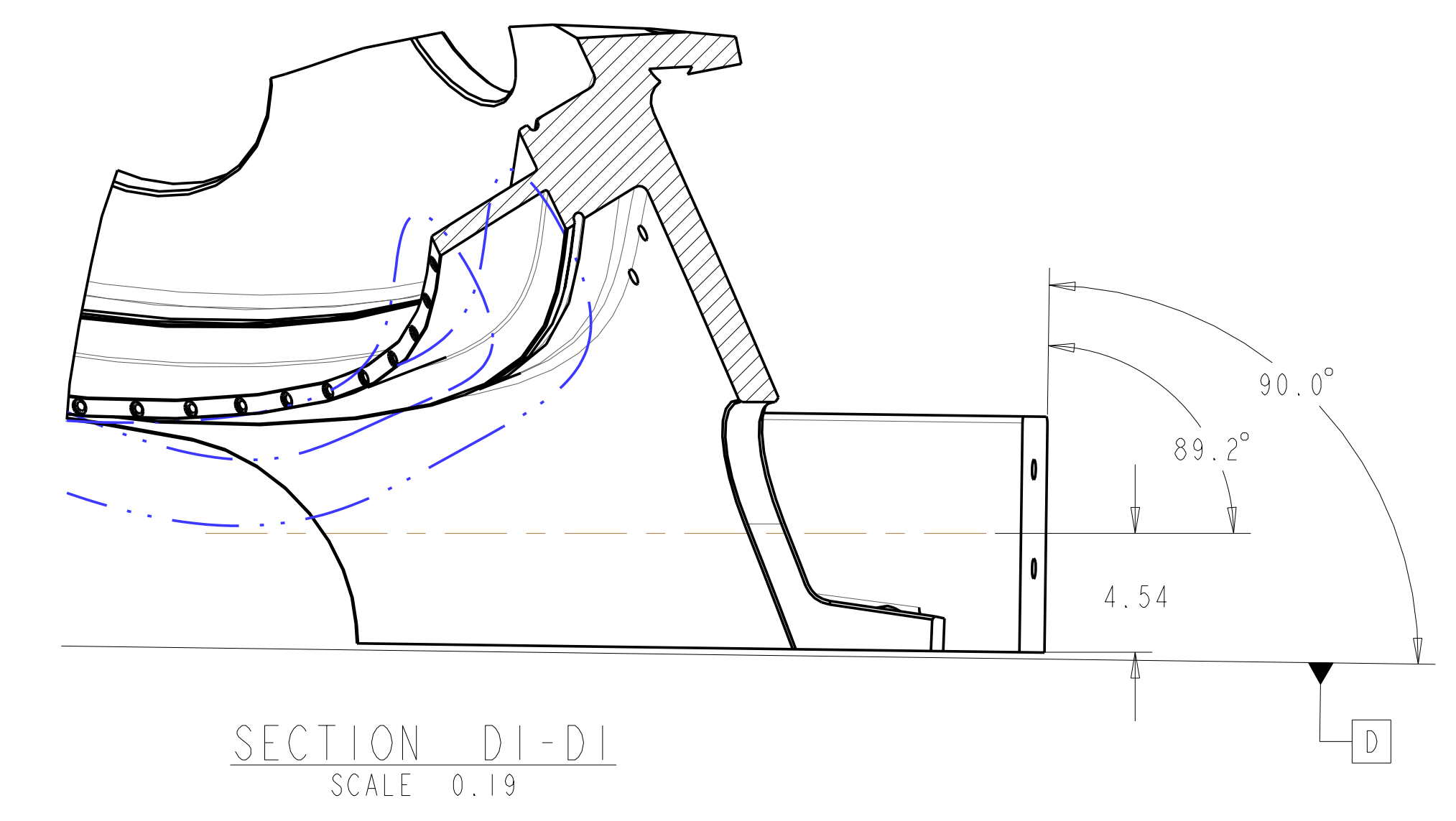
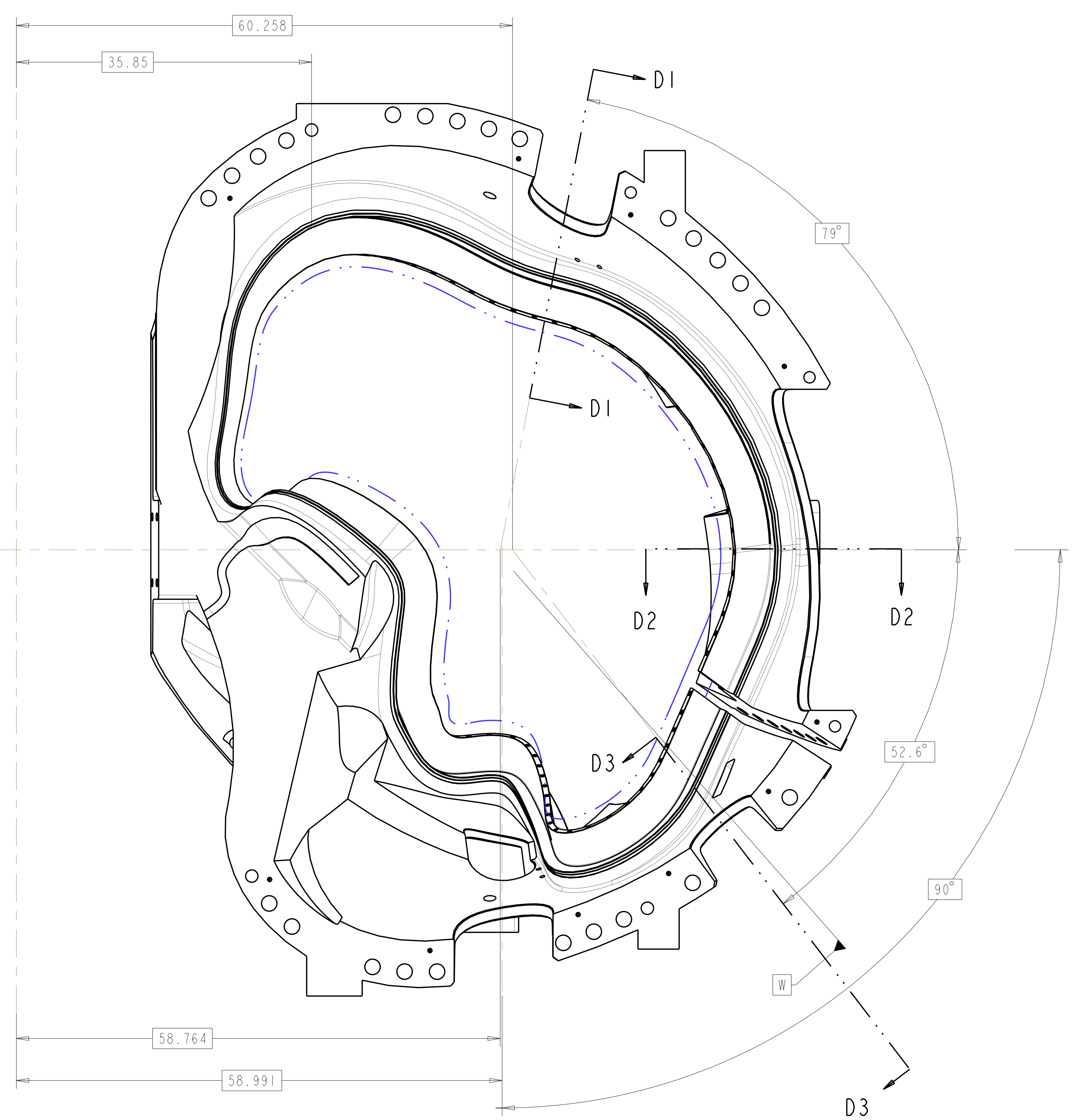
|  |       |   |    |        |      |       |
|--|-------|---|----|--------|------|-------|
| <b>UT-BATTELLE</b>                             |       | Oak Ridge National Laboratory<br>managed for the DEPARTMENT OF ENERGY under<br>U.S. GOVERNMENT contract DE-AC05-00OR22725 |    |        |      |       |
|  |       | UT-BATTELLE, LLC, Oak Ridge, Tennessee  |    |        |      |       |
| PROJECT NAME                                   |       |   |    |        |      |       |
| <b>NATIONAL COMPACT STELLARATOR EXPERIMENT</b> |       |   |    |        |      |       |
| PRODUCTION WINDING FORM TYPE-B                 |       |   |    |        |      |       |
| VERSION NO.                                    | PLANT | BLDG  | FL | SHT OF | TYPE | CLASS |
| 3  | X-10  | 5700  | 3  | 6      | 12   | S U   |
| RELEASE LEVEL                                  |       | SEI41-115   |    | REV    |      | U     |
| WIP  |       |   |    |        |      | I     |

H  
G  
F  
E  
D  
C  
B  
A

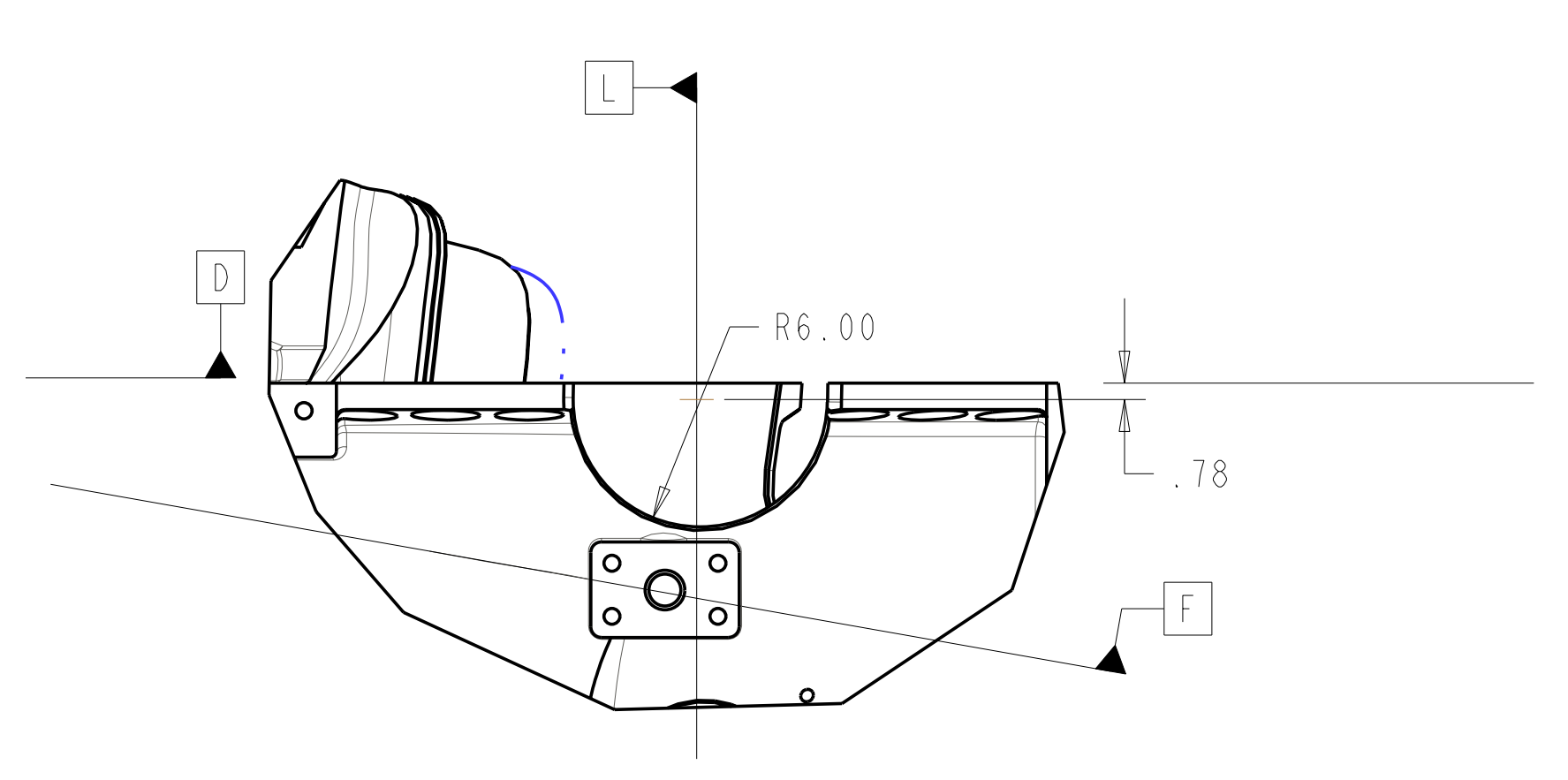
H  
G  
F  
E  
D  
C  
B  
A



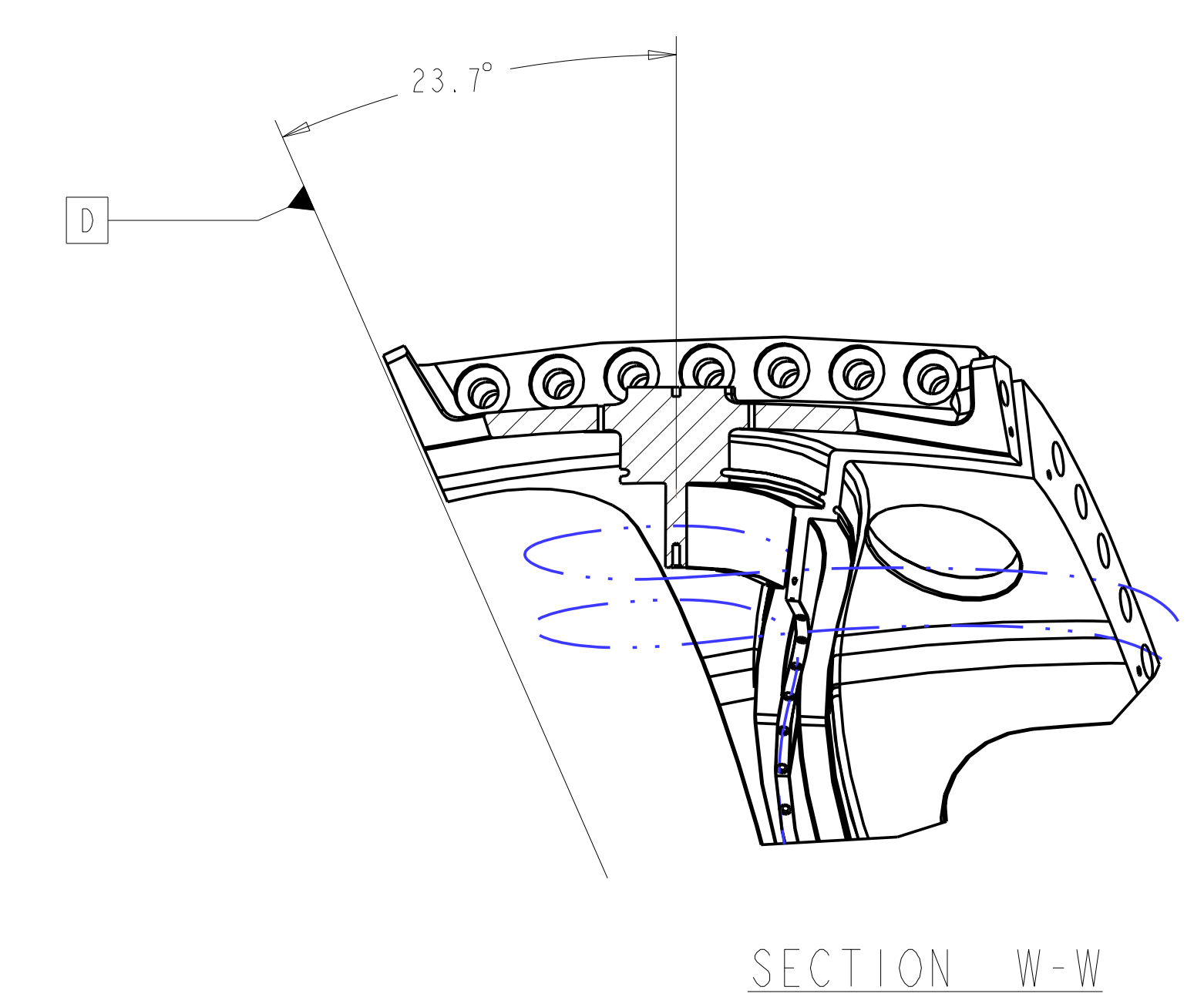
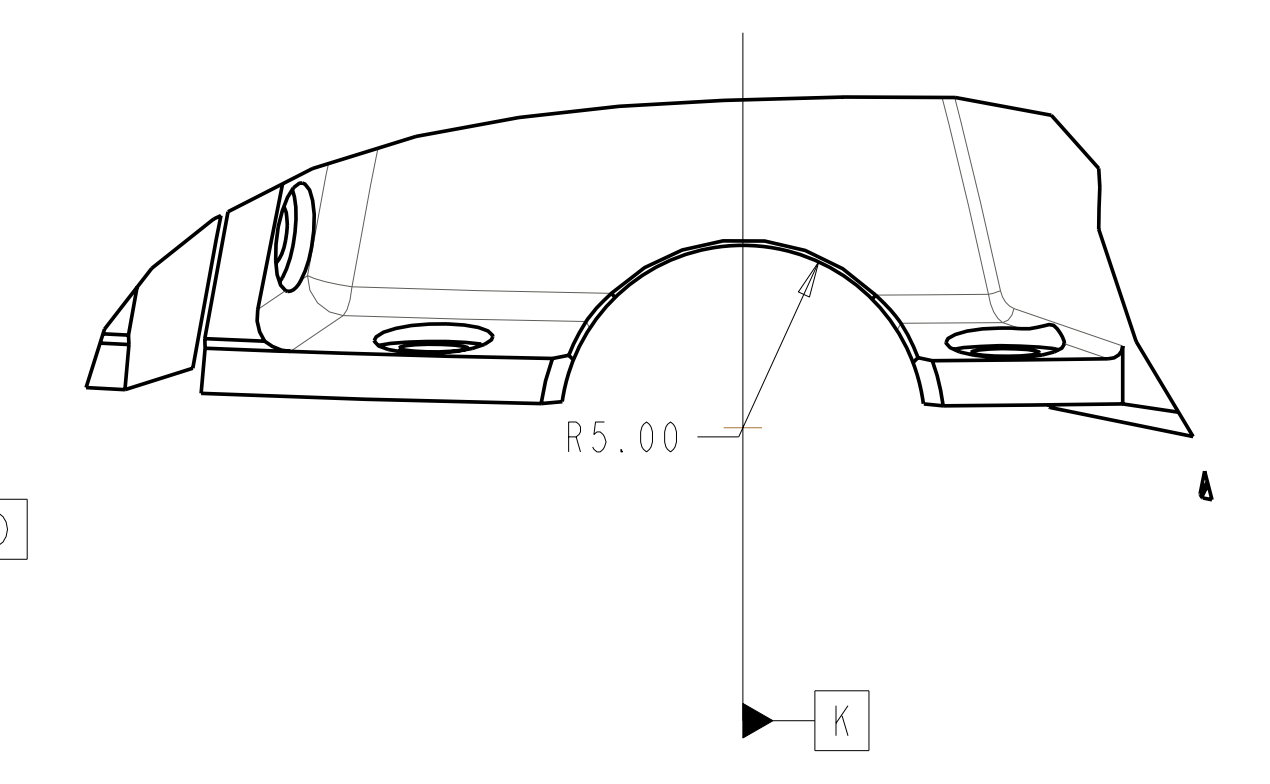
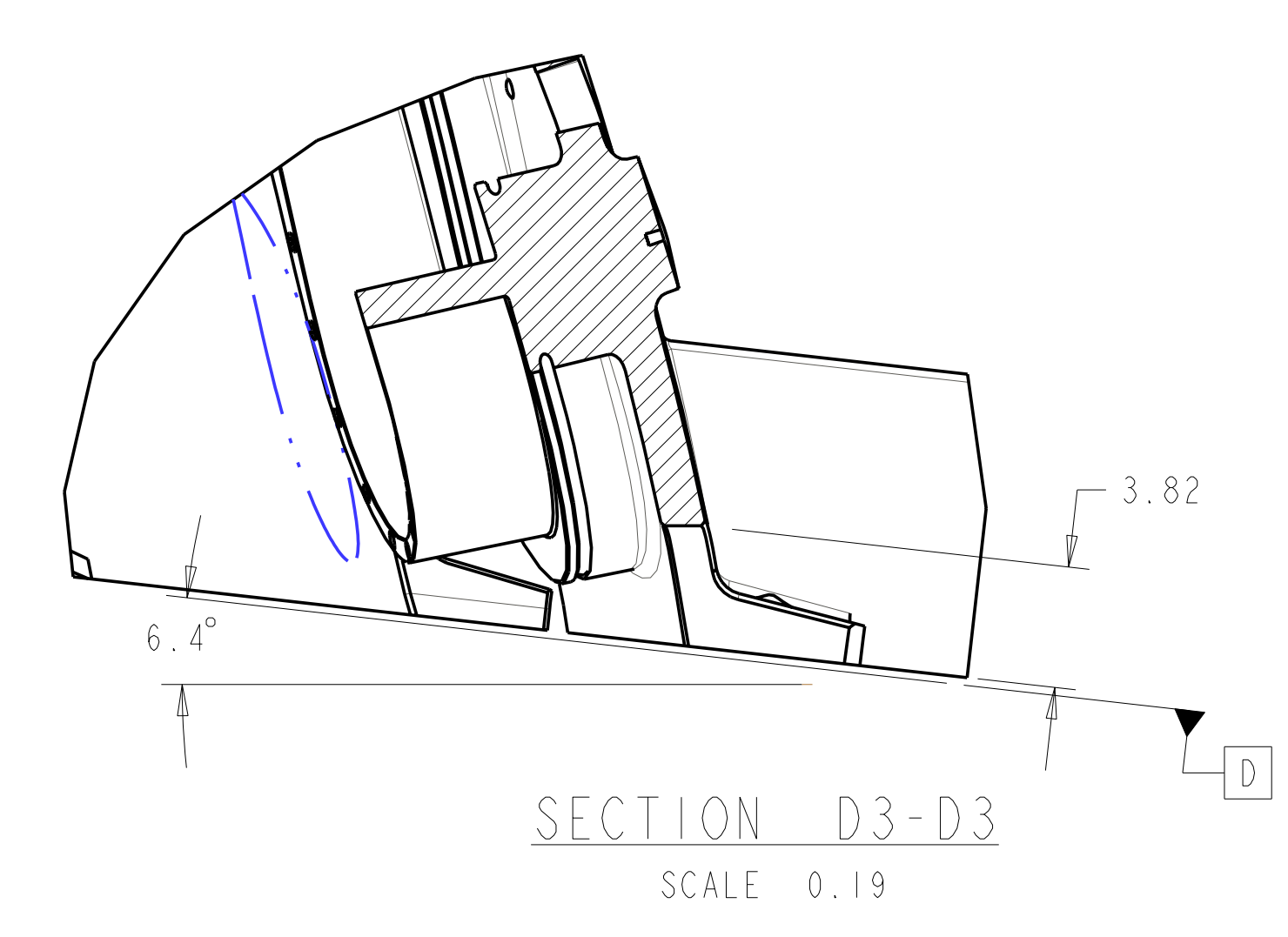
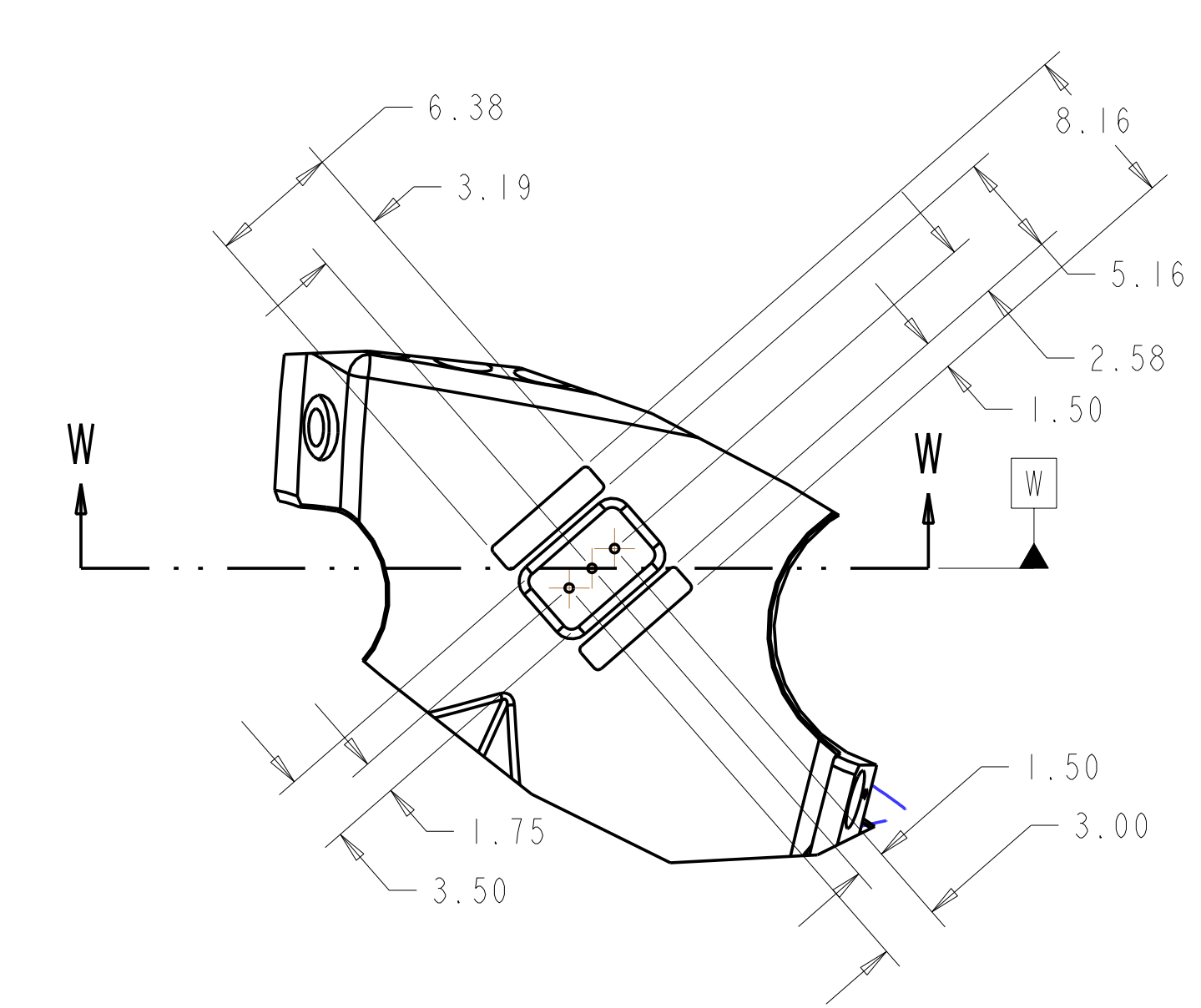
FOR NOTES AND PARTS LIST SEE SHEET 1



VIEW AT DATUM D  
SCALE 0.13



BOTTOM VIEW



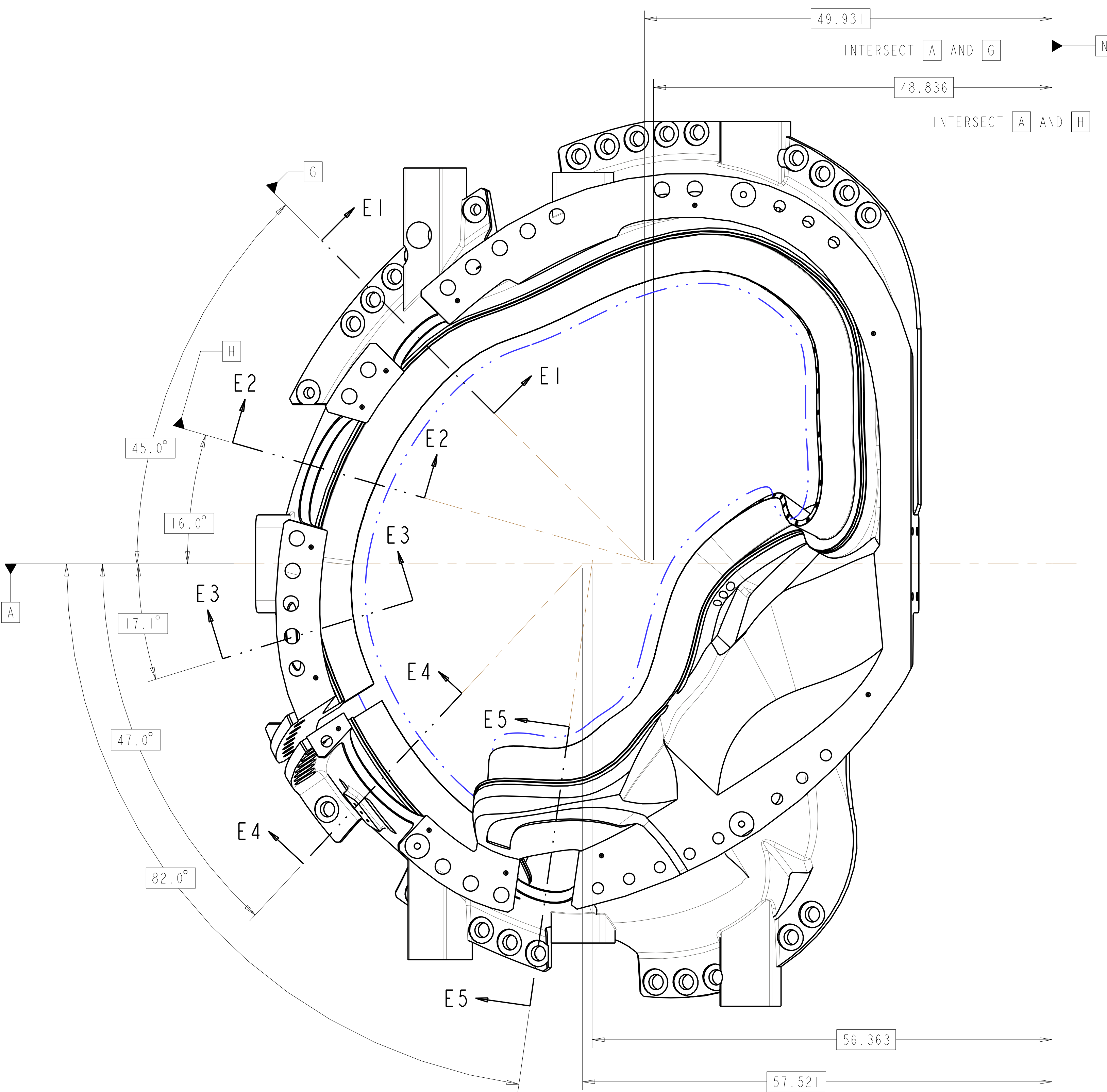
|   |           |      |    |        |      |       |   |
|---|-----------|------|----|--------|------|-------|---|
| Oak Ridge National Laboratory<br>managed for the DEPARTMENT OF ENERGY under<br>U.S. GOVERNMENT contract DE-AC05-00OR22725<br>UT-BATTELLE, LLC, Oak Ridge, Tennessee<br>PROJECT NAME<br><b>NATIONAL COMPACT STELLARATOR EXPERIMENT</b> |           |      |    |        |      |       |   |
| PRODUCTION WINDING FORM TYPE-B  |           |      |    |        |      |       |   |
| VERSION NO.   | PLANT     | BLDG | FL | SHT OF | TYPE | CLASS |   |
| 3   | X-10      | 5700 | 3  | 7      | 12   | S     | U |
| RELEASE LEVEL   | SEI41-115 |      |    |        |      |       |   |
| WIP   |           |      |    |        |      |       |   |

SEI41-115

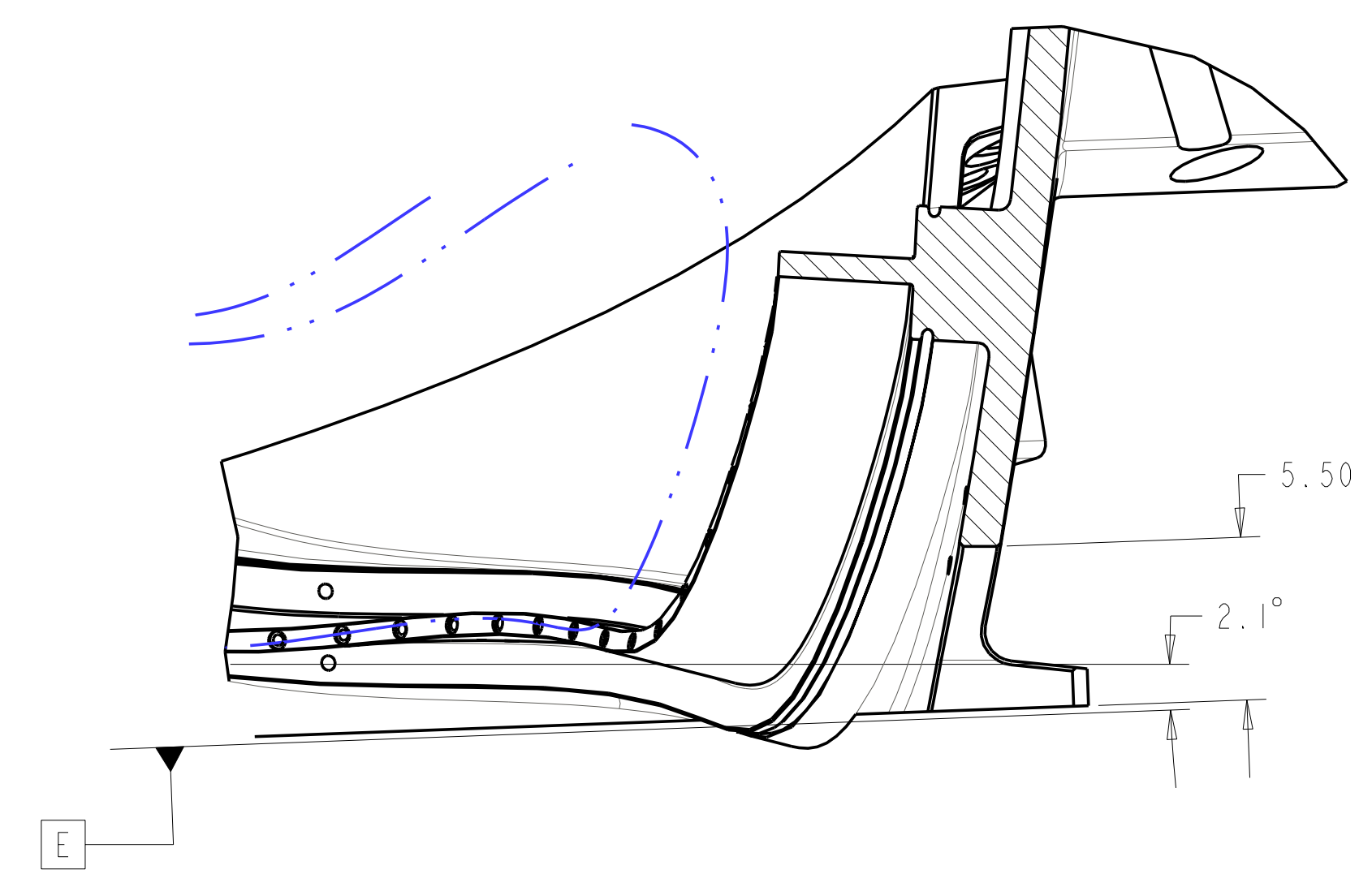
A



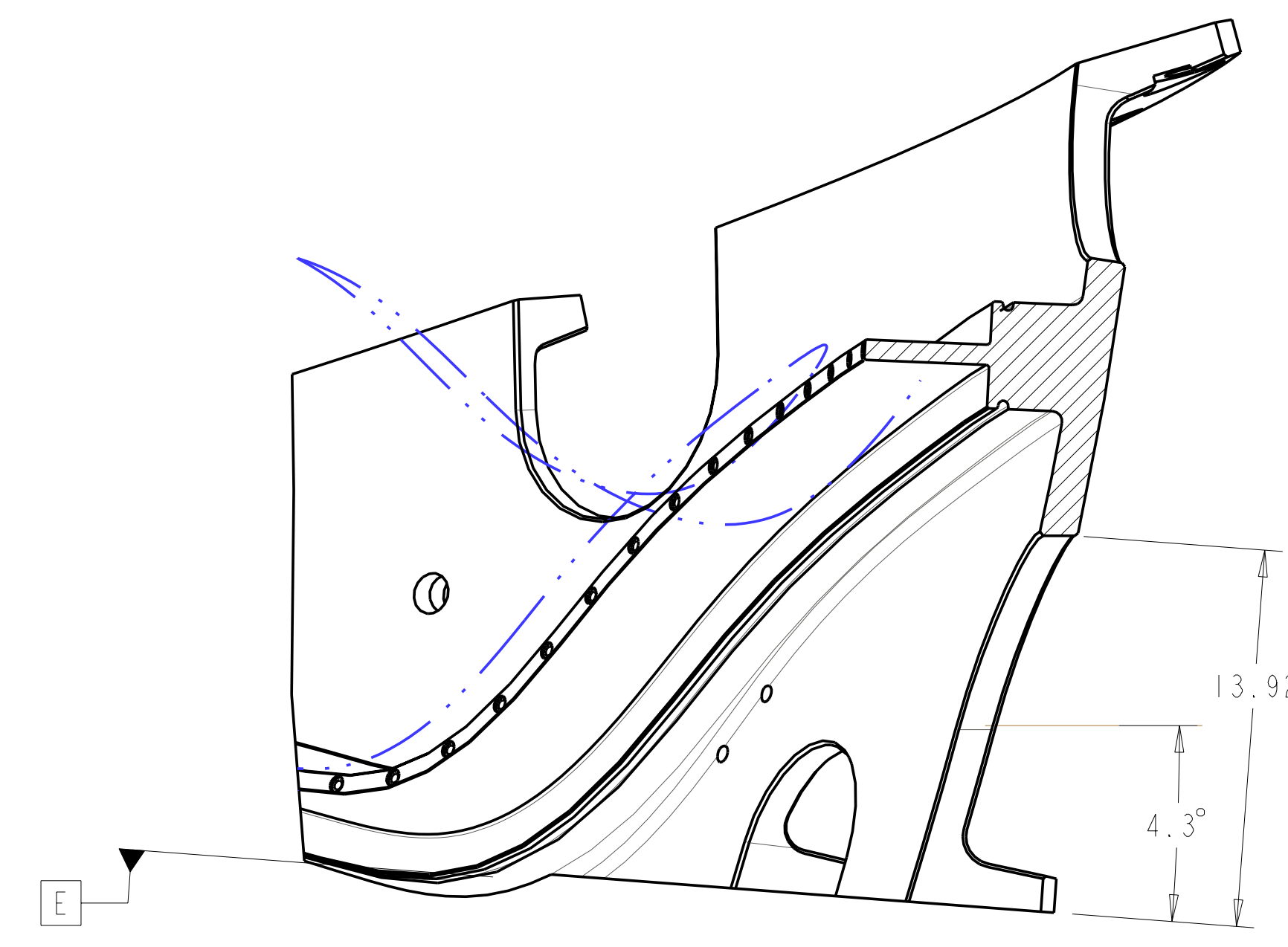
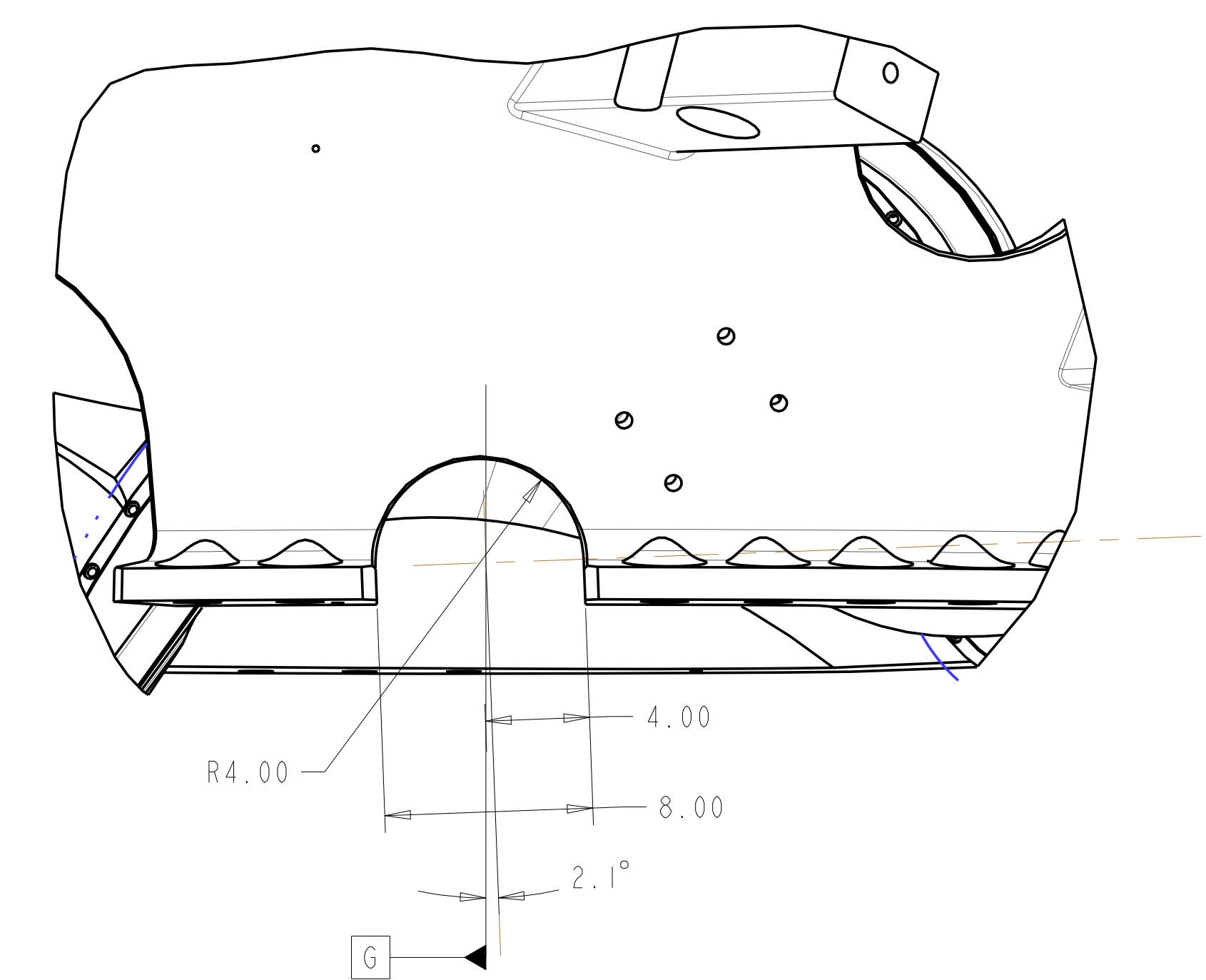
FOR NOTES AND PARTS LIST SEE SHEET 1



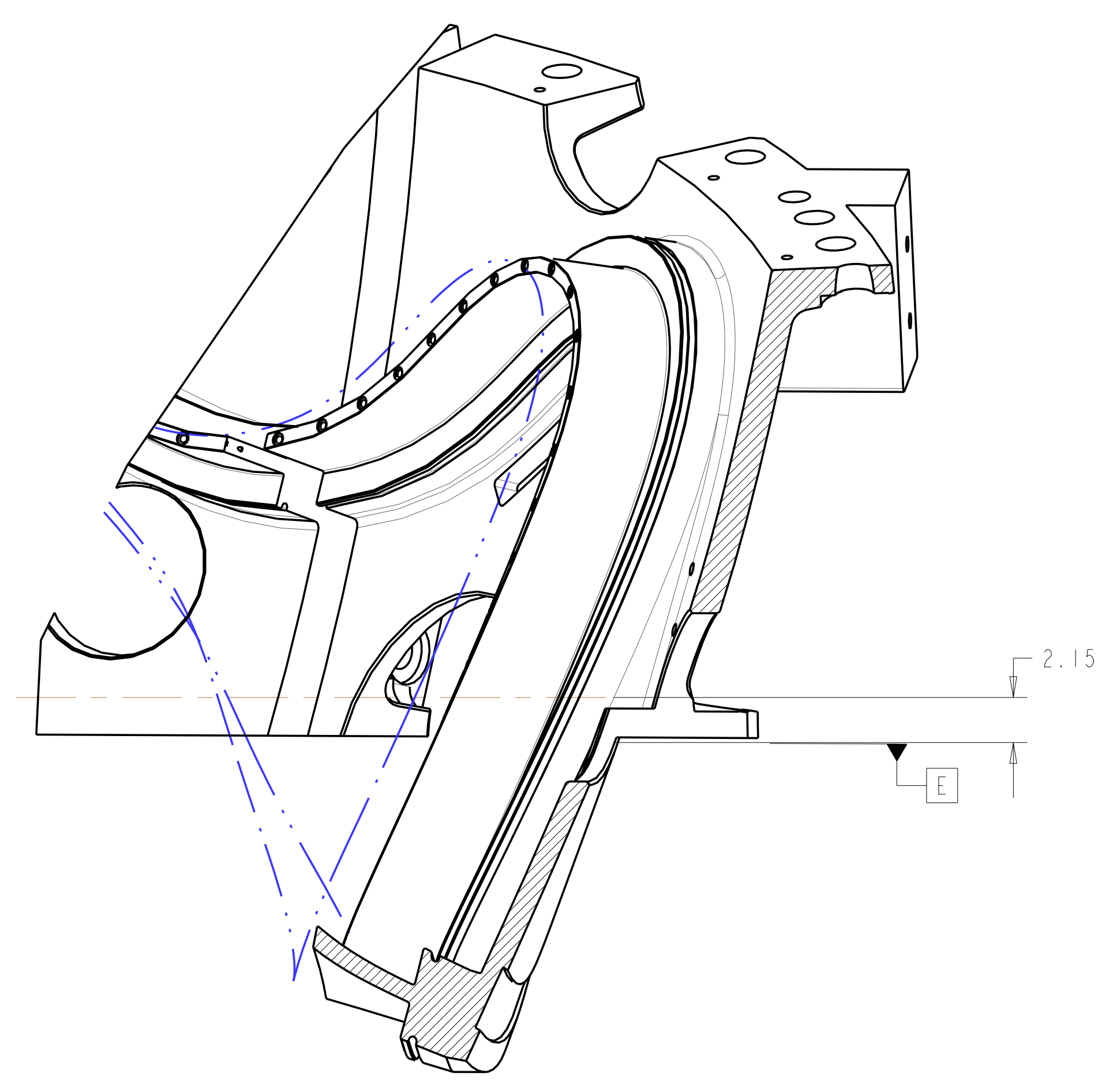
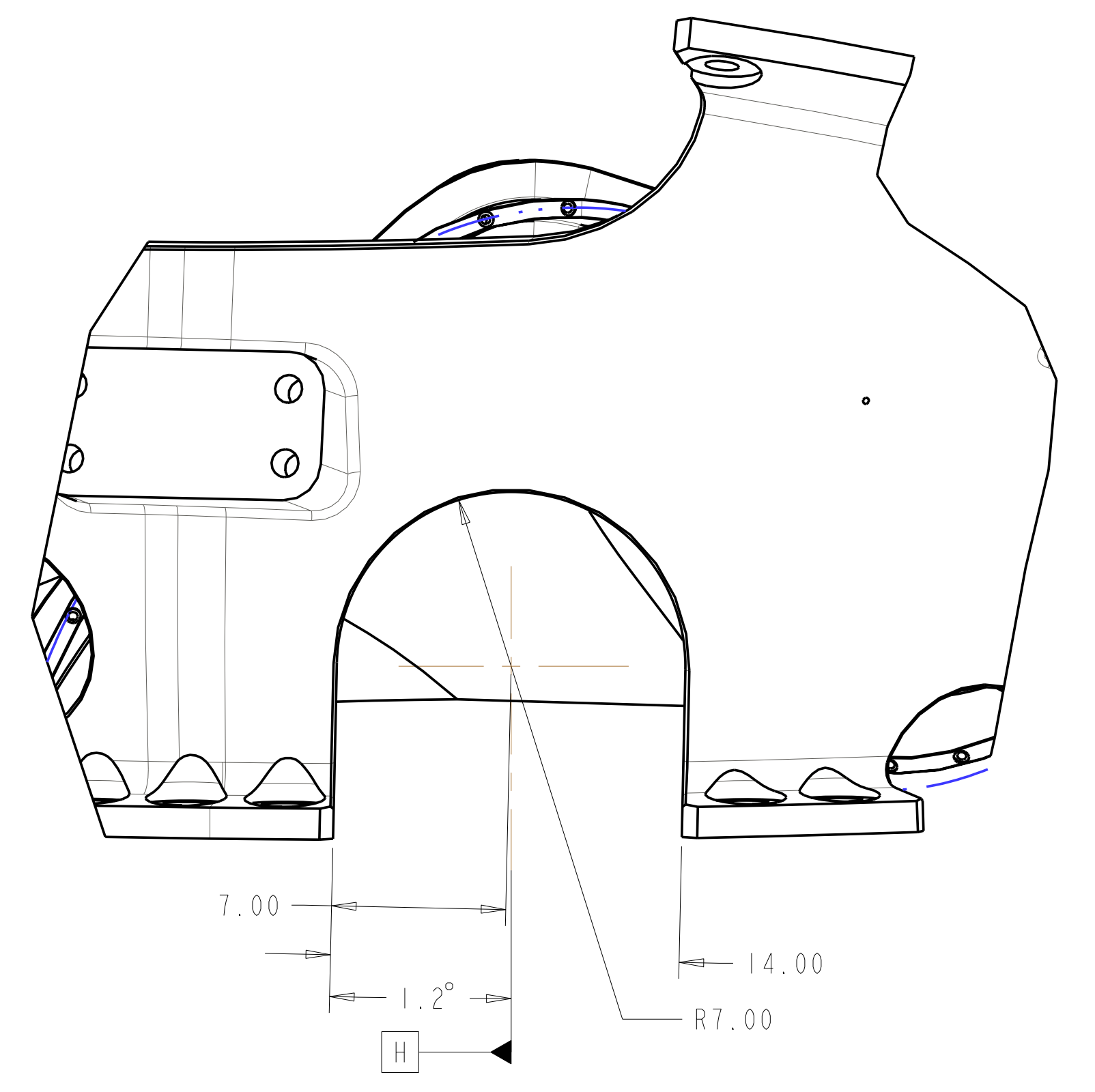
VIEW AT DATUM E  
SCALE 0.13



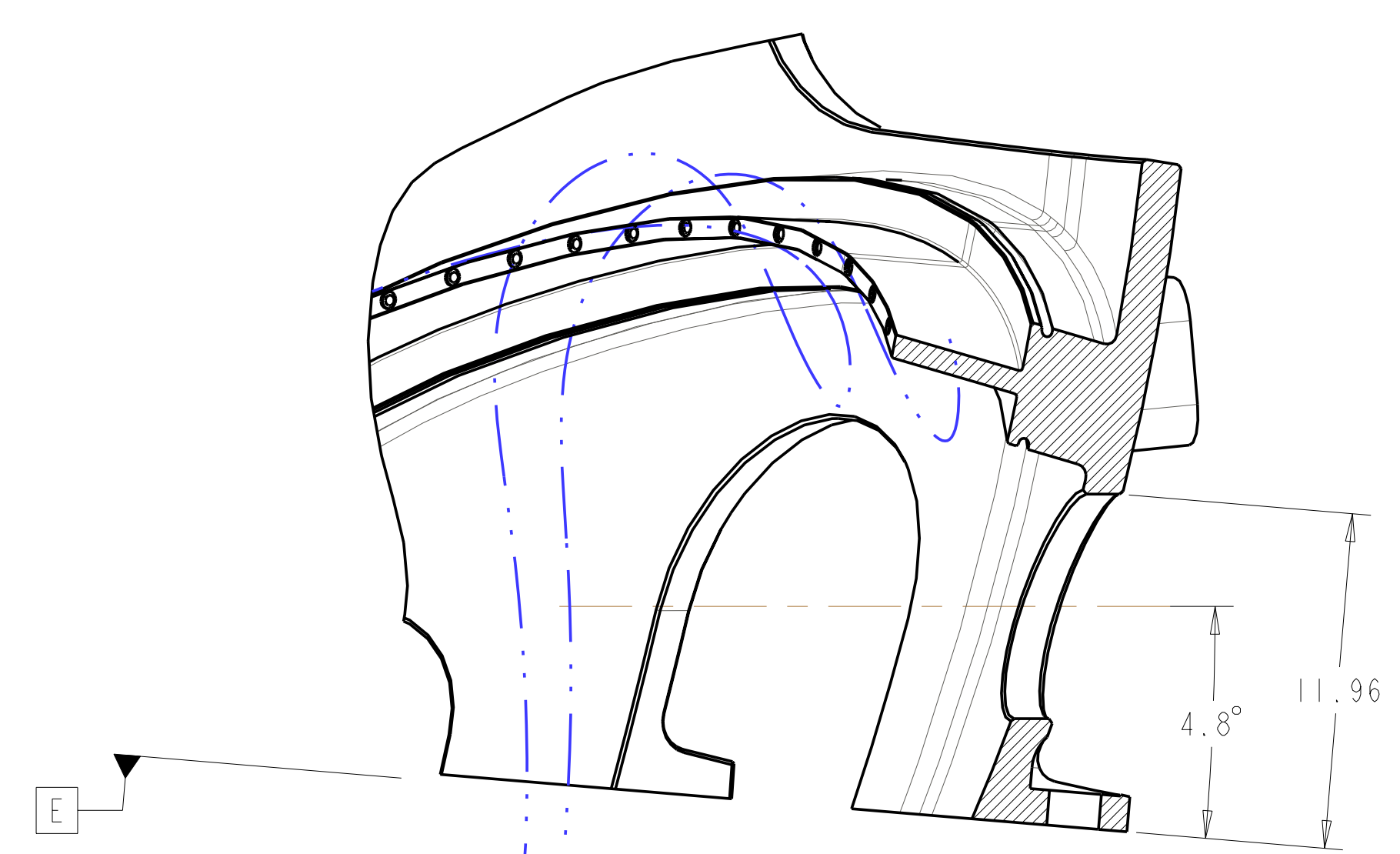
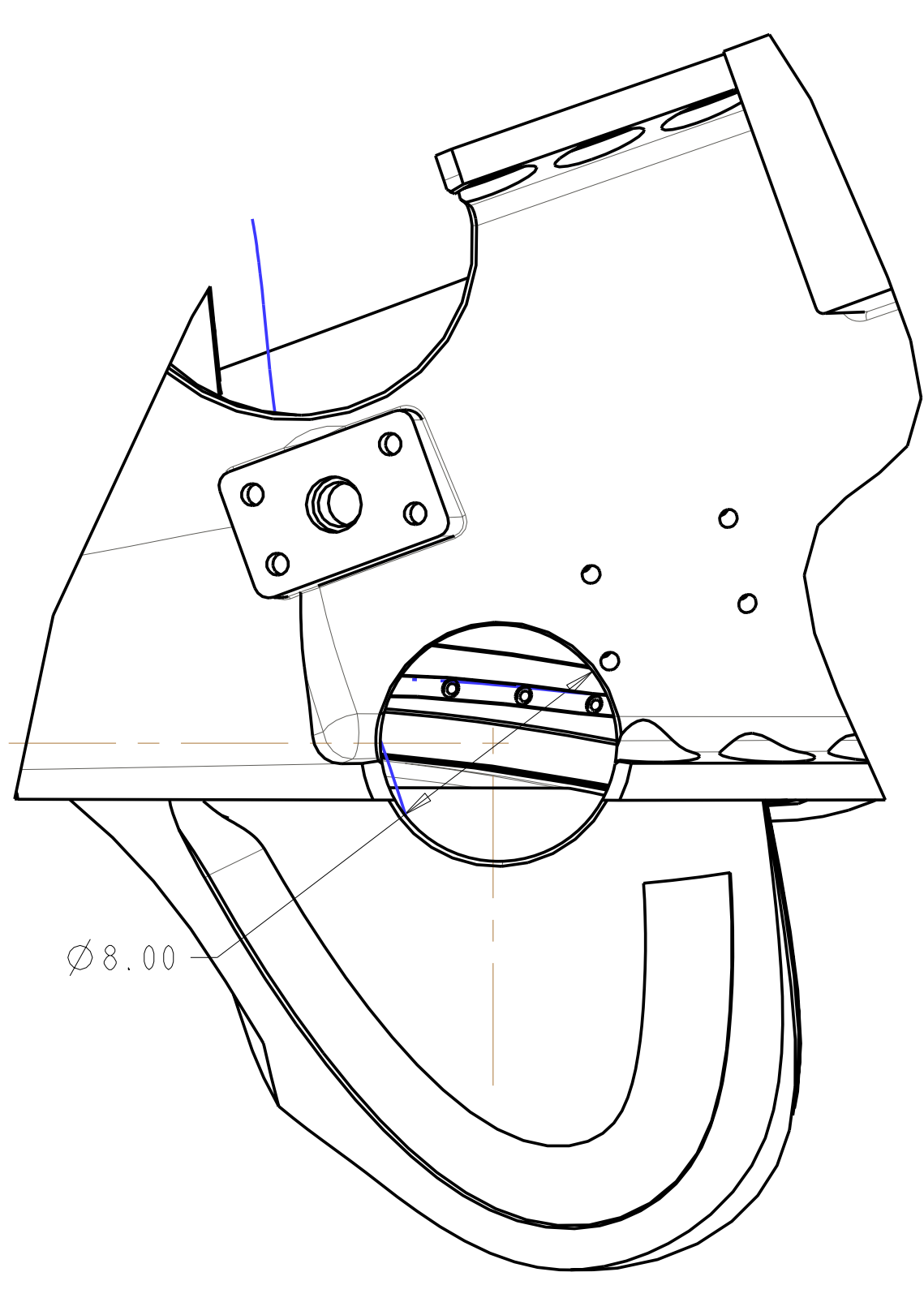
SECTION E1-E1  
SCALE 0.19



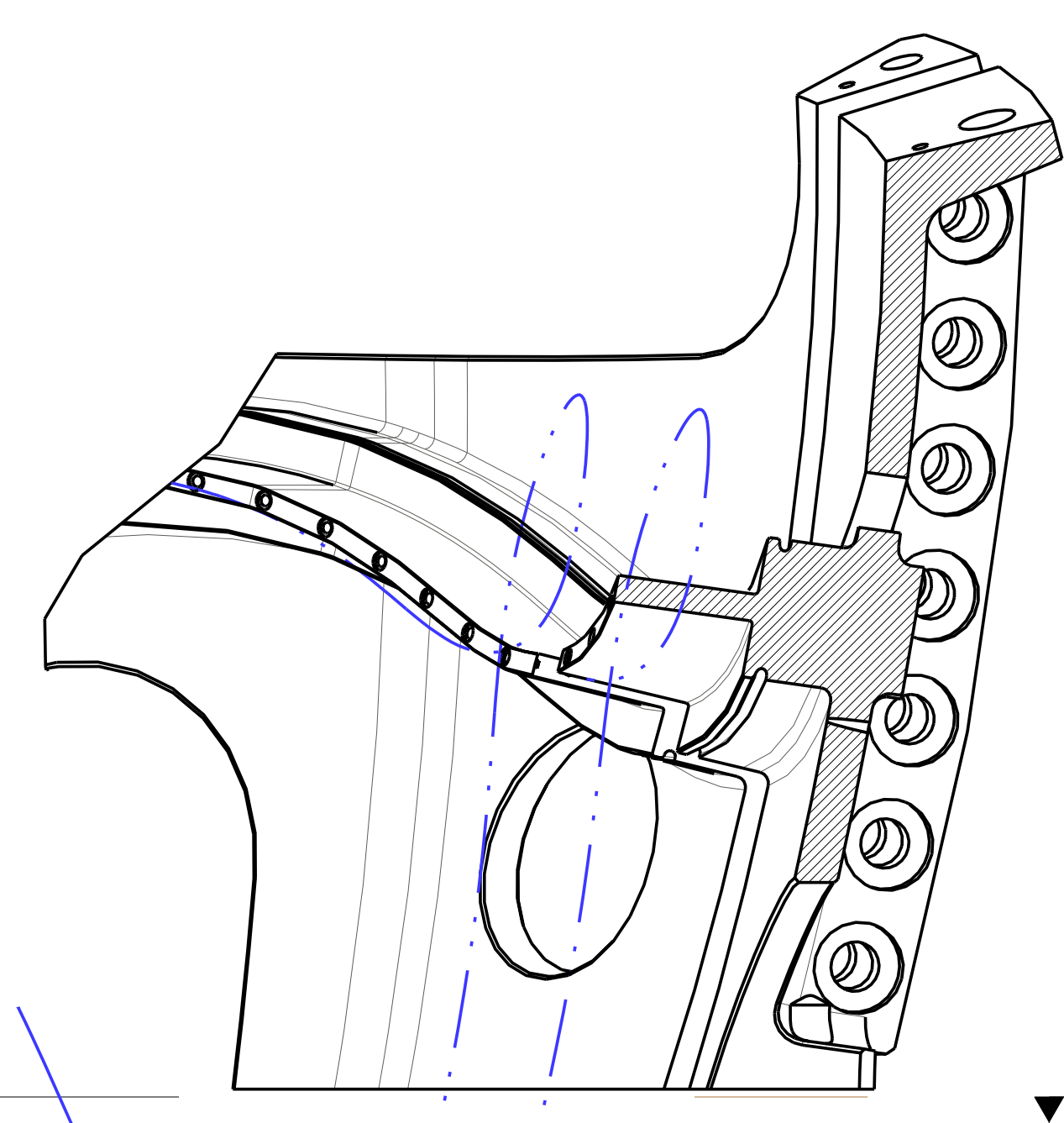
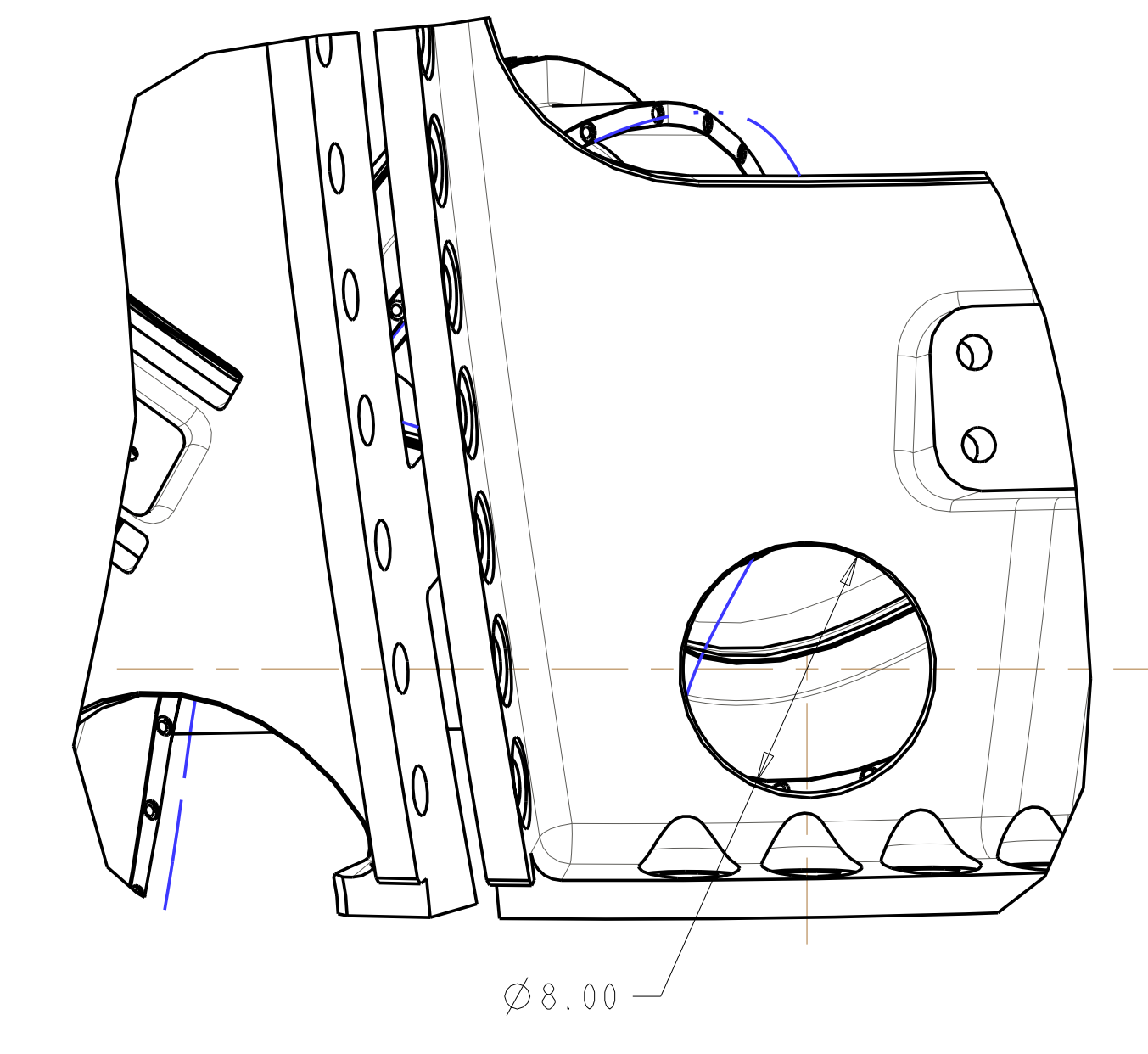
SECTION E2-E2  
SCALE 0.19



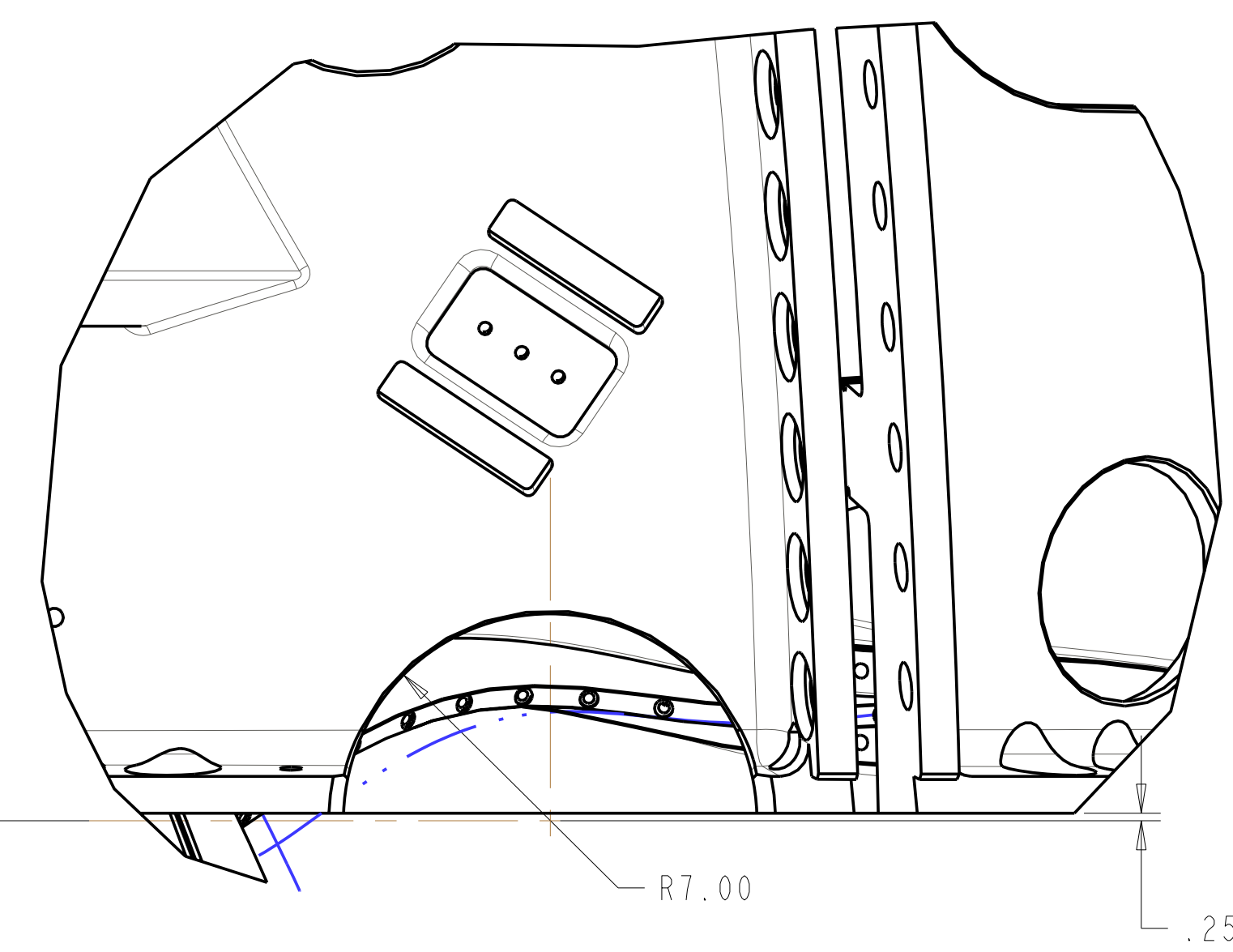
SECTION E5-E5  
SCALE 0.19



SECTION E3-E3  
SCALE 0.19



SECTION E4-E4  
SCALE 0.19

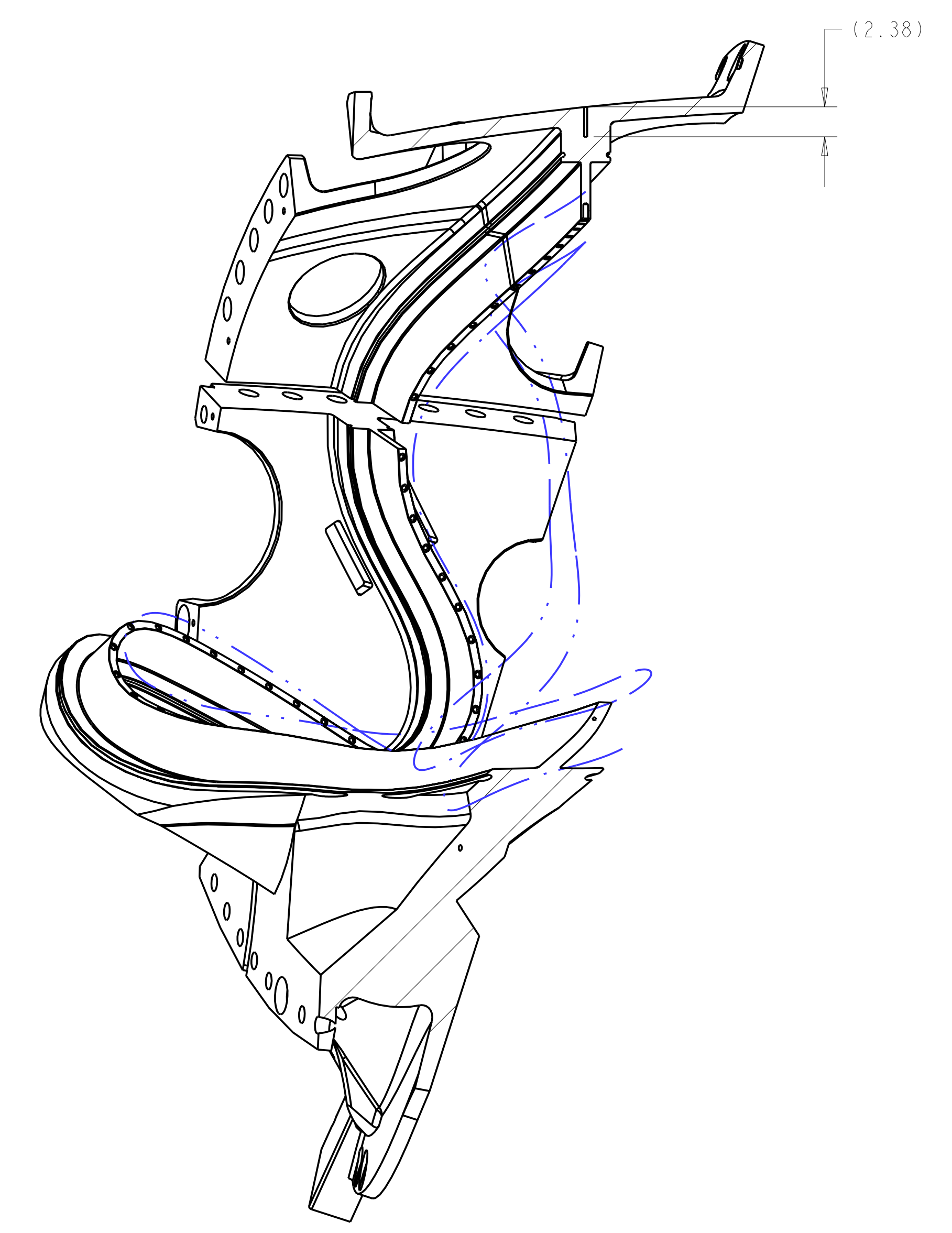
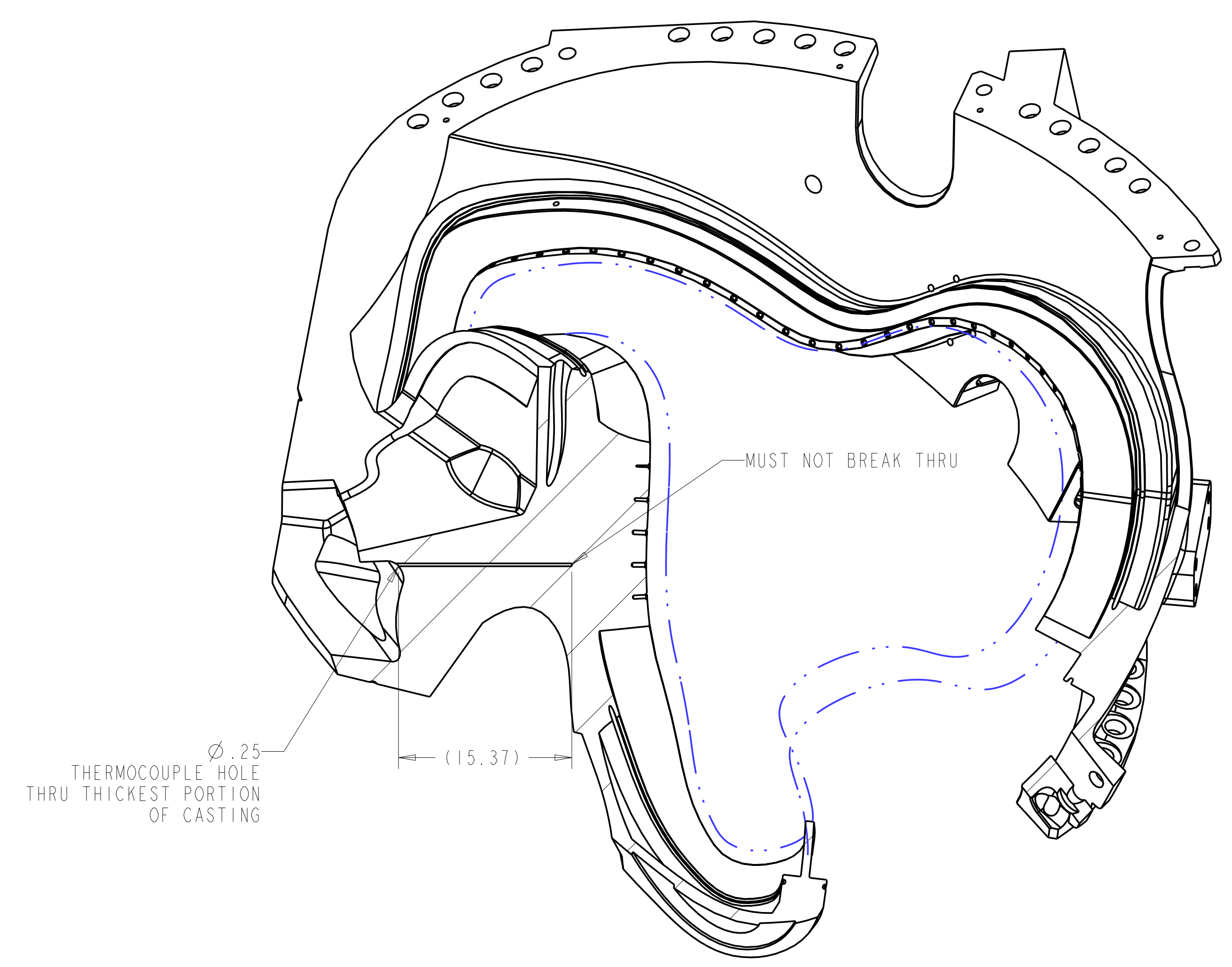
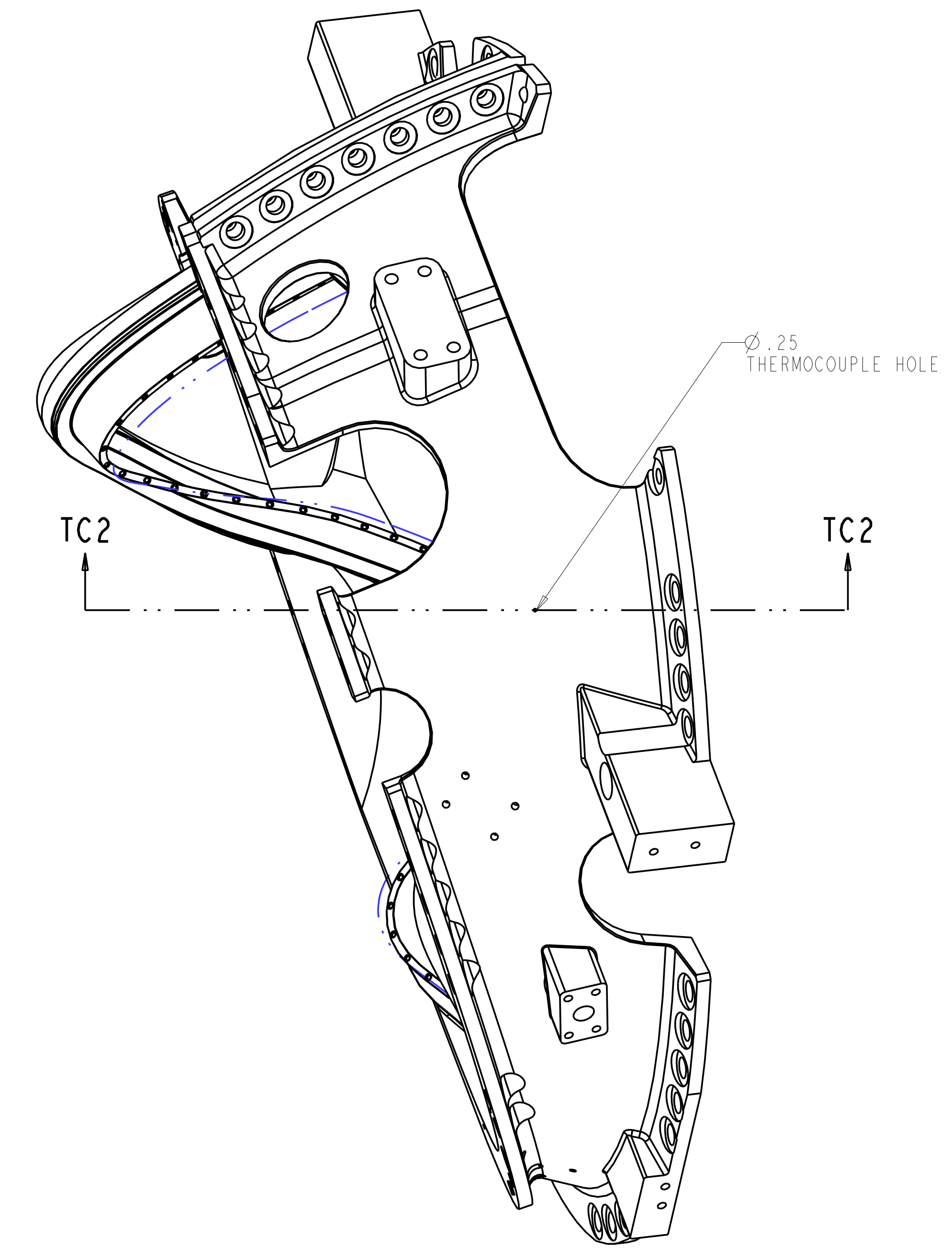
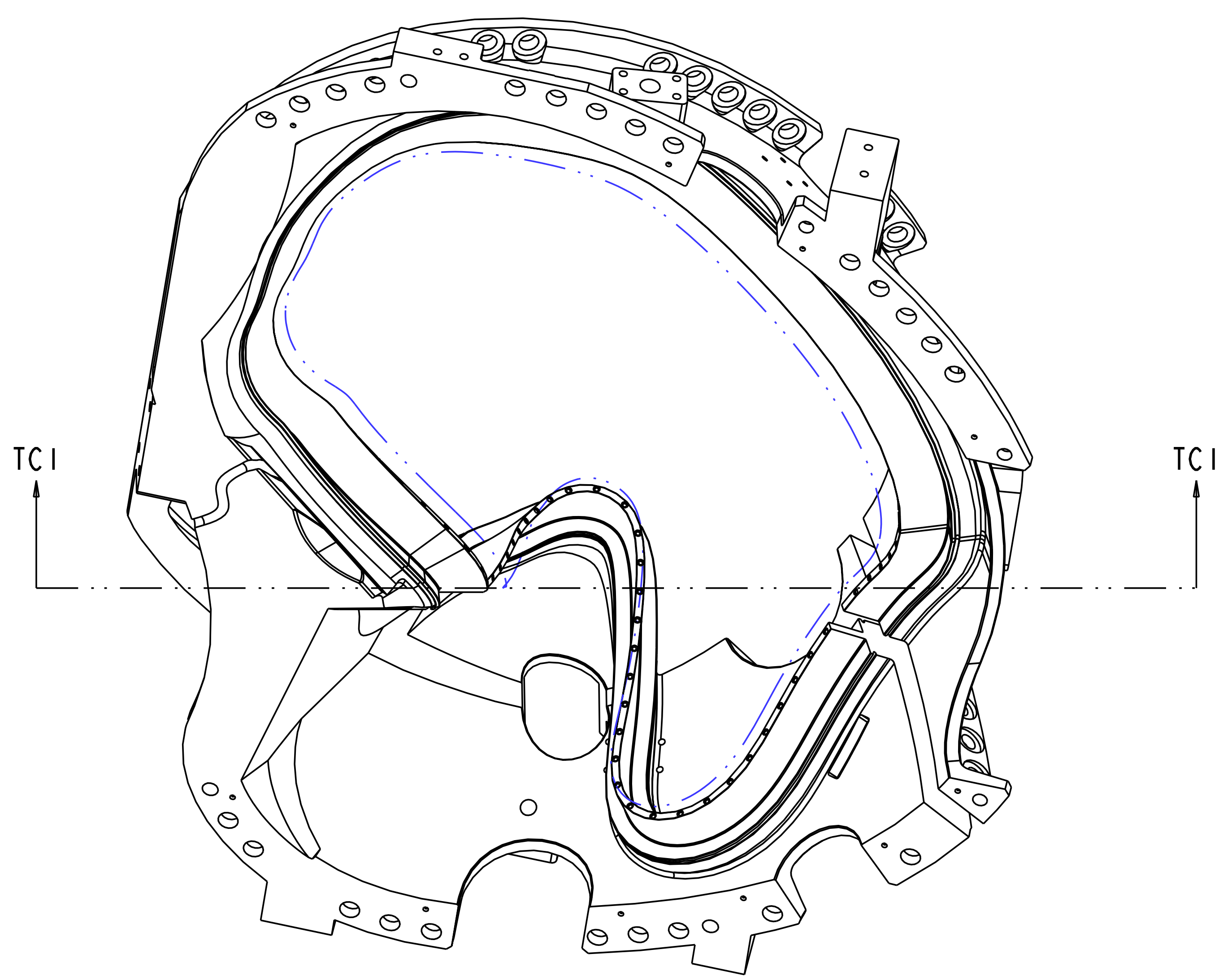


|   |           |      |    |        |      |       |   |
|---|-----------|------|----|--------|------|-------|---|
| Oak Ridge National Laboratory<br>managed for the DEPARTMENT OF ENERGY under<br>U.S. GOVERNMENT contract DE-AC05-00OR22725<br>UT-BATTELLE, LLC, Oak Ridge, Tennessee<br>PROJECT NAME |           |      |    |        |      |       |   |
| <b>NATIONAL COMPACT STELLARATOR EXPERIMENT</b>  |           |      |    |        |      |       |   |
| PRODUCTION WINDING FORM TYPE-B  |           |      |    |        |      |       |   |
| VERSION NO.   | PLANT     | BLDG | FL | SHT OF | TYPE | CLASS |   |
| 3   | X-10      | 5700 | 3  | 8      | 12   | S     | U |
| RELEASE LEVEL   | SEI41-115 |      |    |        |      |       |   |
| WIP   |           |      |    |        |      |       |   |

SEI41-115



FOR NOTES AND PARTS LIST SEE SHEET 1



SECTION TC1-TC1

SECTION TC2-TC2

|   |       |           |    |        |      |       |  |
|---|-------|-----------|----|--------|------|-------|--|
| Oak Ridge National Laboratory<br>managed for the DEPARTMENT OF ENERGY under<br>U.S. GOVERNMENT contract DE-AC05-00OR22725<br>UT-BATTELLE, LLC, Oak Ridge, Tennessee |       |           |    |        |      |       |  |
| <b>UT-BATTELLE</b>  |       |           |    |        |      |       |  |
| NATIONAL COMPACT STELLARATOR EXPERIMENT   |       |           |    |        |      |       |  |
| PRODUCTION WINDING FORM TYPE-B  |       |           |    |        |      |       |  |
| VERSION NO.   | PLANT | BLDG      | FL | SHT OF | TYPE | CLASS |  |
| 3   | X-10  | 5700      | 3  | 9 12   | S    | U     |  |
| RELEASE LEVEL   |       | SEI41-115 |    |        |      |       |  |
| WIP   |       |           |    |        |      |       |  |

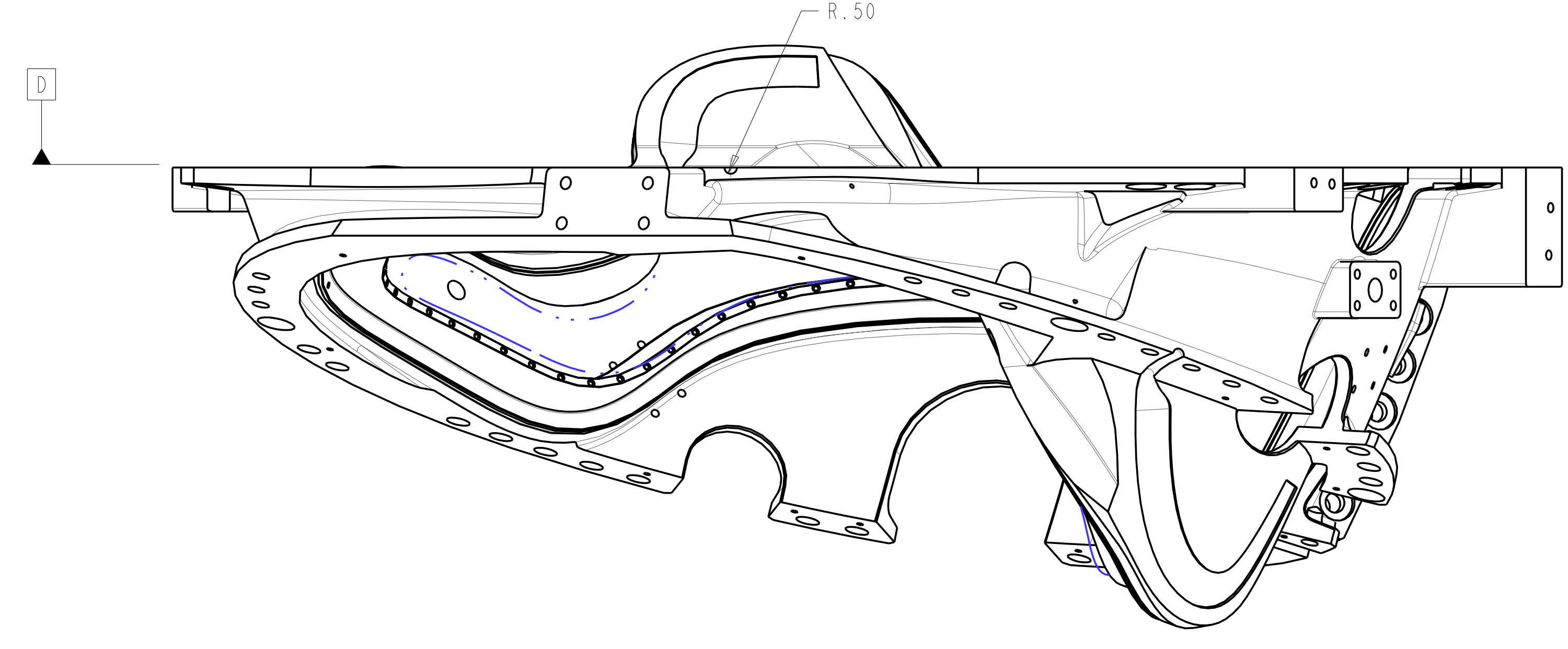
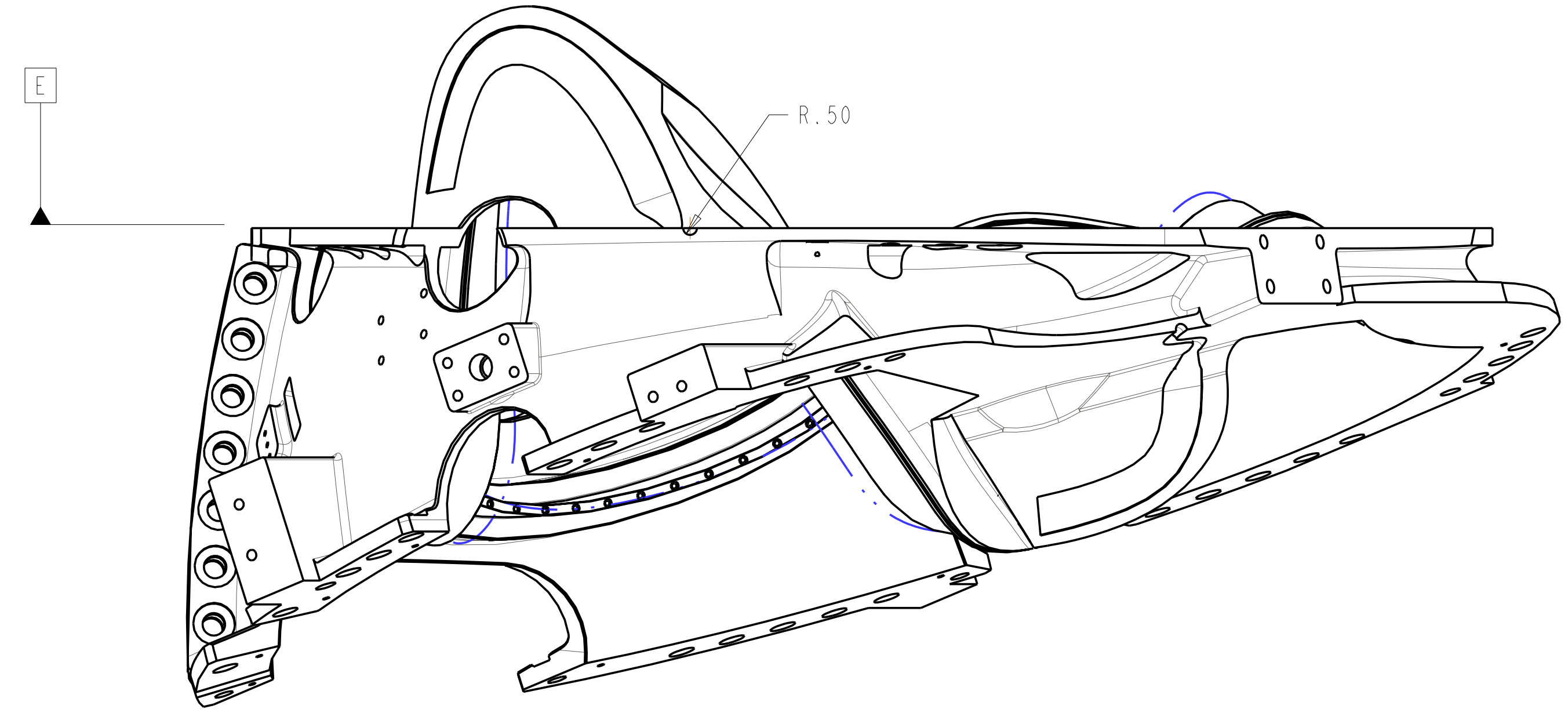
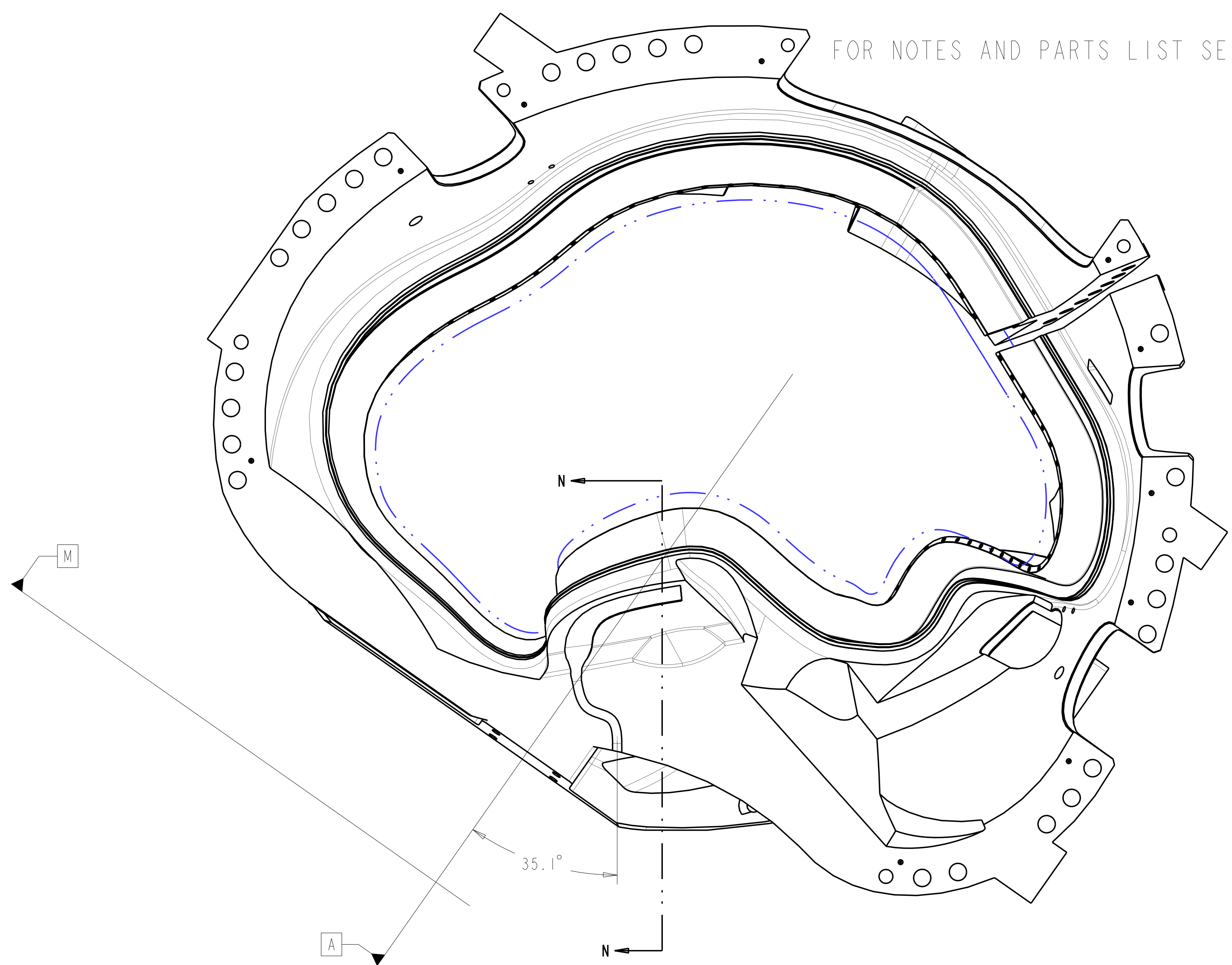
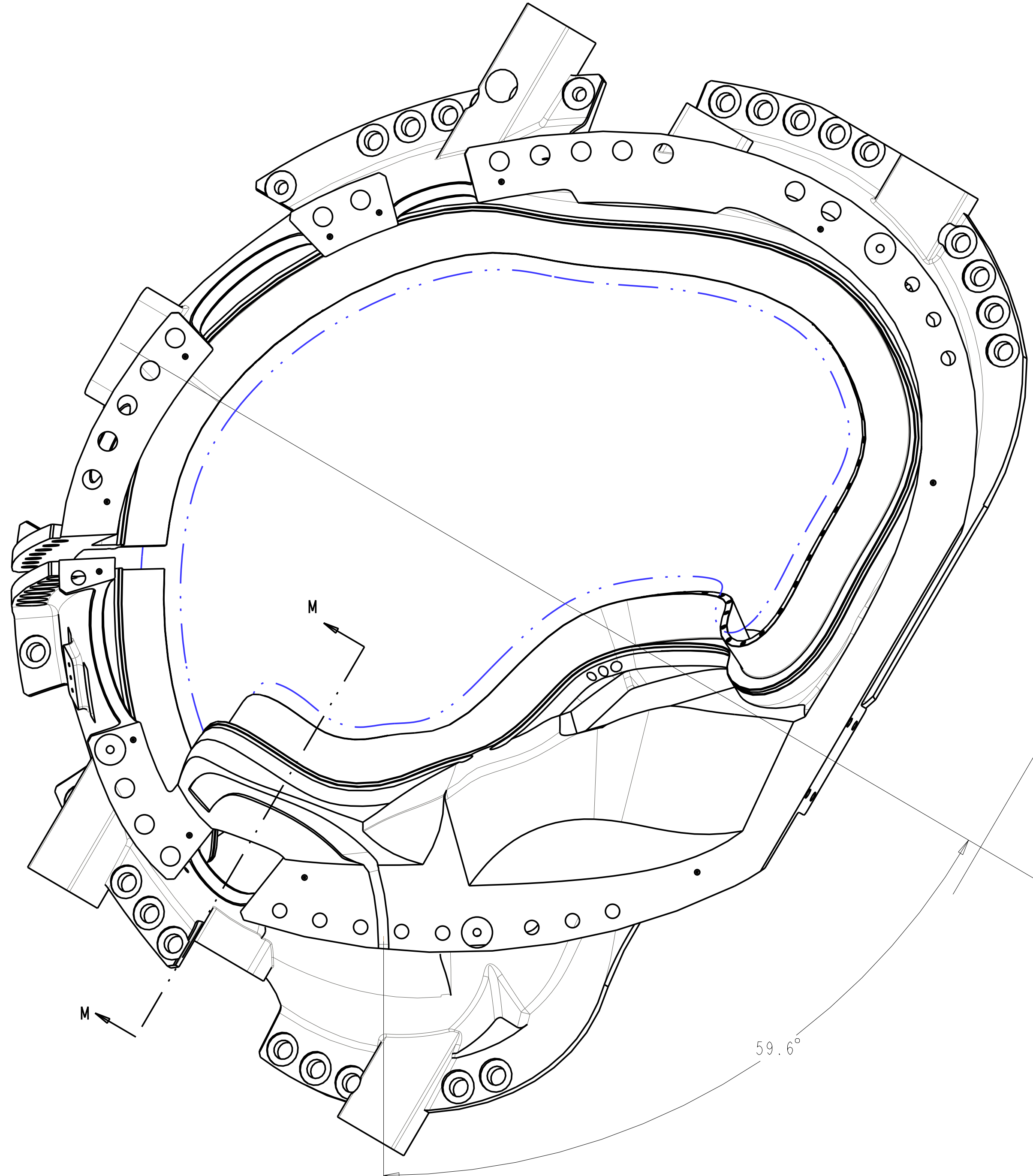
H  
G  
F  
E  
D  
C  
B  
A

SEI41-115

A

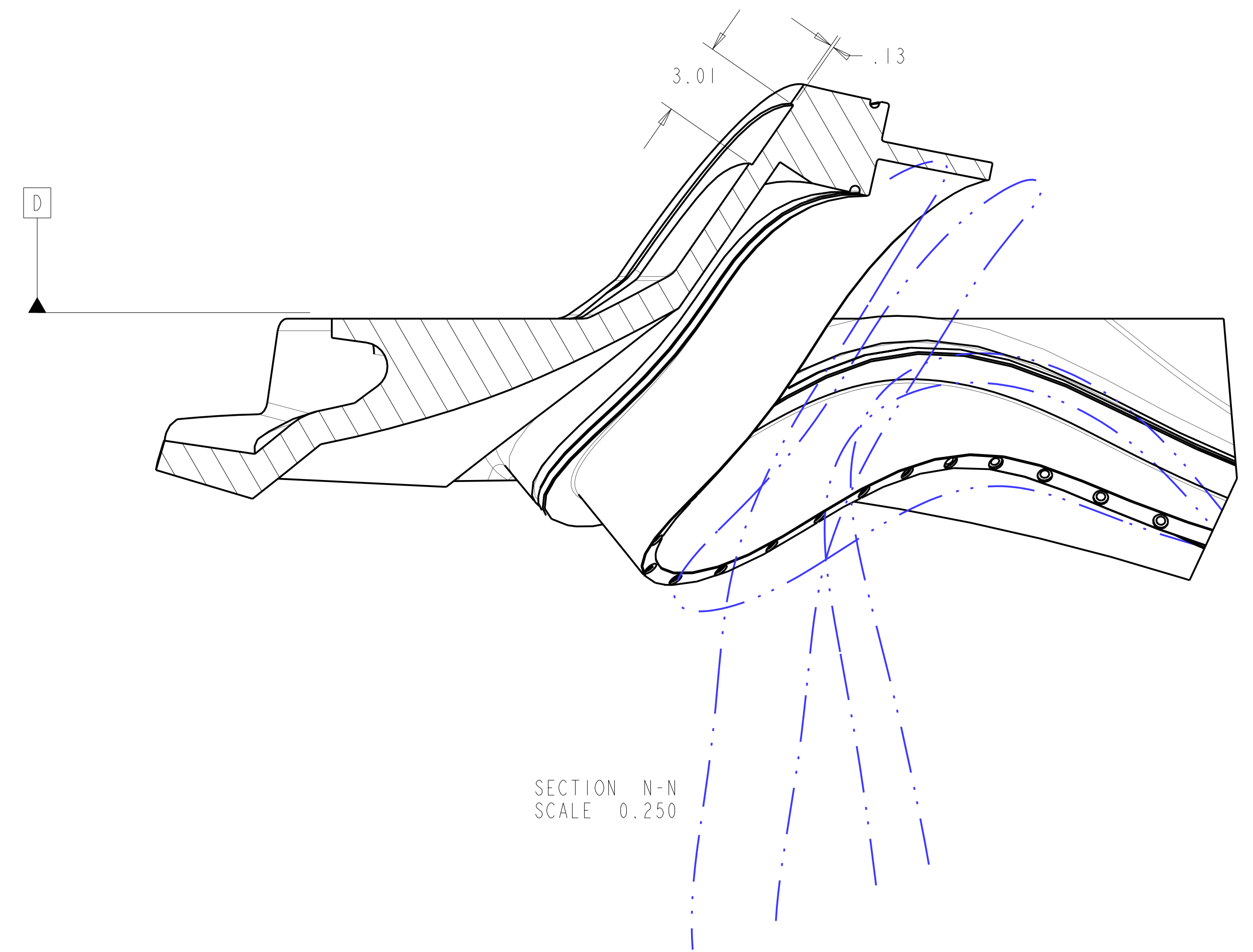
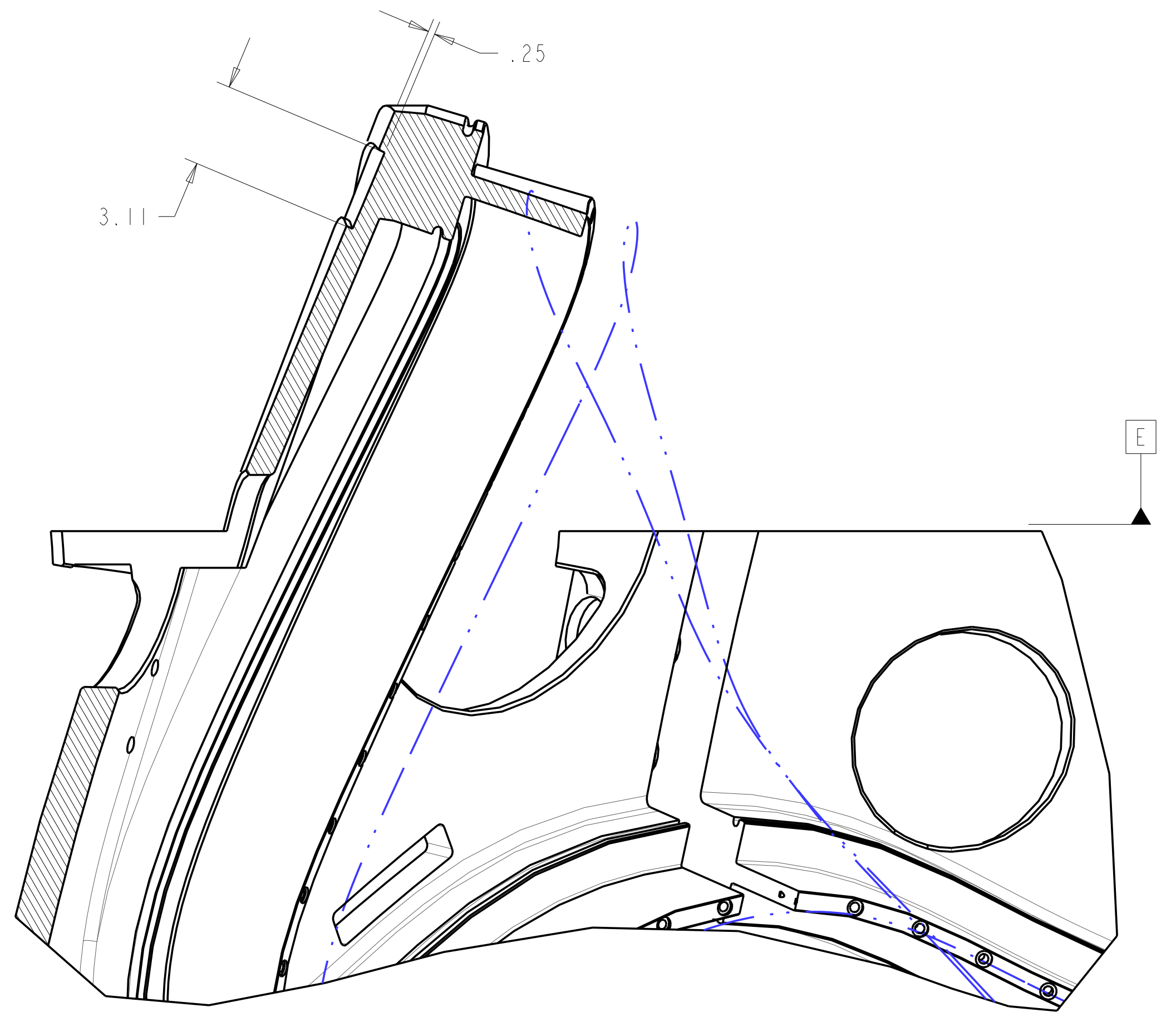


FOR NOTES AND PARTS LIST SEE SHEET 1



SCALE 0.125

SCALE 0.125



SECTION M-M  
SCALE 0.25

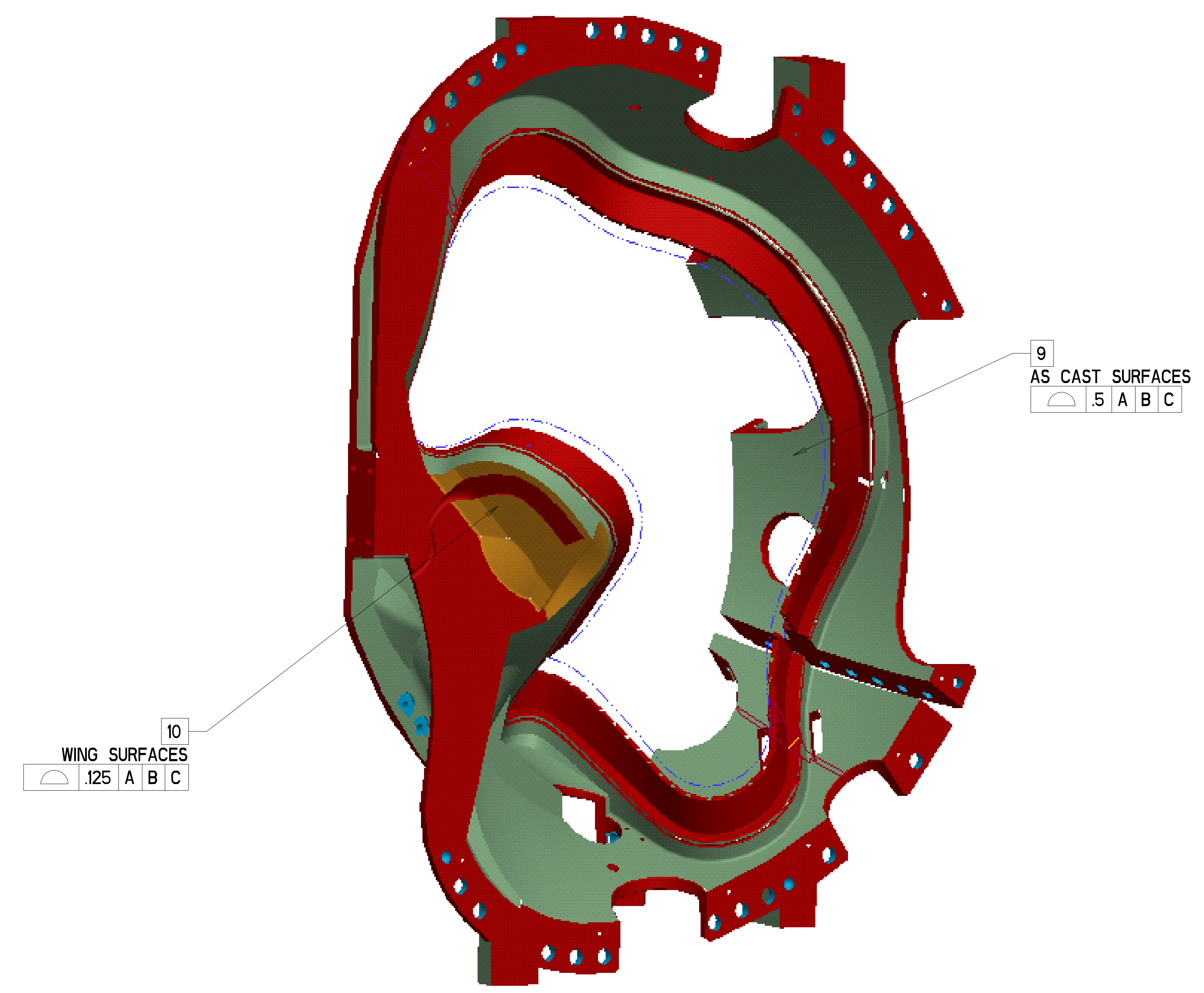
SECTION N-N  
SCALE 0.250

|   |       |           |    |     |    |      |       |
|---|-------|-----------|----|-----|----|------|-------|
| Oak Ridge National Laboratory<br>managed for the DEPARTMENT OF ENERGY under<br>U.S. GOVERNMENT contract DE-AC05-00OR22725<br>UT-BATTELLE, LLC, Oak Ridge, Tennessee |       |           |    |     |    |      |       |
| <b>UT-BATTELLE</b>  |       |           |    |     |    |      |       |
| NATIONAL COMPACT STELLARATOR EXPERIMENT   |       |           |    |     |    |      |       |
| PRODUCTION WINDING FORM TYPE-B  |       |           |    |     |    |      |       |
| VERSION NO.   | PLANT | BLDG      | FL | SHT | OF | TYPE | CLASS |
| 3   | X-10  | 5700      | 3  | 10  | 12 | S    | U     |
| RELEASE LEVEL   |       | REV       |    |     |    |      |       |
| WIP   |       | SEI41-115 |    |     |    |      |       |

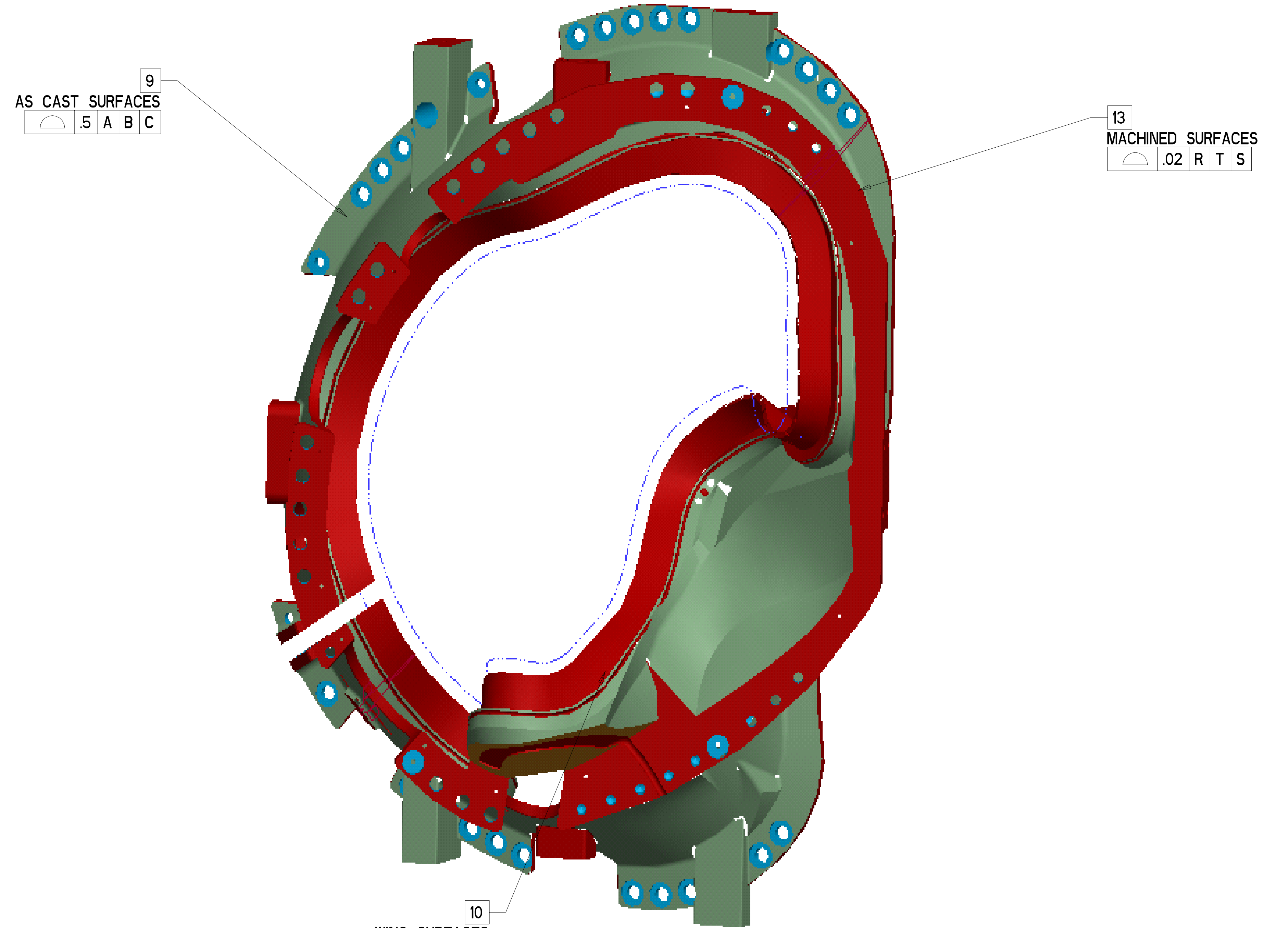
H  
G  
F  
E  
D  
C  
B  
A

H  
G  
F  
E  
D  
C  
B  
A





ISOMETRIC VIEW  
 NOT TO SCALE



ISOMETRIC VIEW  
 NOT TO SCALE

|   |       |           |    |     |    |      |       |
|---|-------|-----------|----|-----|----|------|-------|
| Oak Ridge National Laboratory<br>managed for the DEPARTMENT OF ENERGY under<br>U.S. GOVERNMENT contract DE-AC05-00OR22725<br>UT-BATTELLE, LLC, Oak Ridge, Tennessee<br>PROJECT NAME |       |           |    |     |    |      |       |
| <b>UT-BATTELLE</b><br>NATIONAL COMPACT STELLARATOR EXPERIMENT   |       |           |    |     |    |      |       |
| PRODUCTION WINDING FORM TYPE-B  |       |           |    |     |    |      |       |
| VERSION NO.   | PLANT | BLDG      | FL | SHT | OF | TYPE | CLASS |
| 3   | X-10  | 5700      | 3  | 11  | 12 | S    | U     |
| RELEASE LEVEL   |       | SEI41-115 |    |     |    |      |       |
| WIP   |       | REV I     |    |     |    |      |       |

SEI41-115

A



TABLE I: WINDING CENTER SPLINE

| #   | X      | Y      | Z       |
|-----|--------|--------|---------|
| 1   | 79.865 | 41.620 | 0.000   |
| 2   | 79.954 | 40.848 | 2.703   |
| 3   | 79.699 | 40.139 | 5.412   |
| 4   | 79.119 | 39.497 | 8.088   |
| 5   | 78.246 | 38.924 | 10.700  |
| 6   | 77.117 | 38.408 | 13.224  |
| 7   | 75.763 | 37.938 | 15.645  |
| 8   | 74.211 | 37.508 | 17.951  |
| 9   | 72.480 | 37.112 | 20.134  |
| 10  | 70.577 | 36.765 | 22.177  |
| 11  | 68.497 | 36.500 | 24.052  |
| 12  | 66.238 | 36.363 | 25.721  |
| 13  | 63.807 | 36.404 | 27.133  |
| 14  | 61.235 | 36.672 | 28.237  |
| 15  | 58.581 | 37.144 | 29.040  |
| 16  | 55.889 | 37.663 | 29.673  |
| 17  | 53.175 | 37.978 | 30.340  |
| 18  | 50.507 | 37.834 | 31.201  |
| 19  | 48.064 | 37.012 | 32.306  |
| 20  | 46.021 | 35.540 | 33.546  |
| 21  | 44.254 | 33.716 | 34.757  |
| 22  | 42.521 | 31.789 | 35.851  |
| 23  | 40.699 | 29.859 | 36.784  |
| 24  | 38.758 | 27.959 | 37.516  |
| 25  | 36.704 | 26.097 | 37.991  |
| 26  | 34.572 | 24.269 | 38.127  |
| 27  | 32.429 | 22.476 | 37.826  |
| 28  | 30.386 | 20.727 | 37.012  |
| 29  | 28.588 | 19.001 | 35.716  |
| 30  | 27.114 | 17.255 | 34.077  |
| 31  | 25.883 | 15.587 | 32.178  |
| 32  | 24.821 | 14.306 | 29.918  |
| 33  | 23.992 | 13.709 | 27.307  |
| 34  | 23.371 | 13.765 | 24.568  |
| 35  | 22.818 | 14.265 | 21.857  |
| 36  | 22.202 | 15.020 | 19.217  |
| 37  | 21.441 | 15.899 | 16.655  |
| 38  | 20.621 | 16.692 | 14.084  |
| 39  | 20.049 | 17.171 | 11.376  |
| 40  | 20.161 | 17.234 | 8.581   |
| 41  | 21.328 | 16.913 | 6.069   |
| 42  | 23.531 | 16.306 | 4.490   |
| 43  | 26.144 | 15.366 | 4.287   |
| 44  | 28.434 | 13.980 | 5.112   |
| 45  | 30.309 | 12.246 | 6.288   |
| 46  | 32.355 | 10.489 | 7.039   |
| 47  | 34.864 | 9.267  | 6.901   |
| 48  | 37.491 | 8.707  | 6.095   |
| 49  | 40.022 | 8.663  | 4.876   |
| 50  | 42.401 | 8.965  | 3.406   |
| 51  | 44.570 | 9.536  | 1.713   |
| 52  | 46.320 | 10.429 | -0.289  |
| 53  | 47.233 | 11.698 | -2.606  |
| 54  | 47.125 | 13.289 | -4.909  |
| 55  | 46.430 | 15.093 | -6.949  |
| 56  | 45.523 | 16.965 | -8.843  |
| 57  | 44.587 | 18.803 | -10.758 |
| 58  | 43.702 | 20.655 | -12.683 |
| 59  | 42.869 | 22.632 | -14.502 |
| 60  | 42.101 | 24.779 | -16.150 |
| 61  | 41.471 | 27.112 | -17.589 |
| 62  | 40.952 | 29.625 | -18.739 |
| 63  | 40.413 | 32.216 | -19.696 |
| 64  | 39.799 | 34.789 | -20.655 |
| 65  | 39.178 | 37.324 | -21.706 |
| 66  | 38.712 | 39.872 | -22.803 |
| 67  | 38.541 | 42.498 | -23.793 |
| 68  | 38.682 | 45.210 | -24.518 |
| 69  | 39.152 | 47.958 | -24.854 |
| 70  | 40.574 | 50.339 | -24.715 |
| 71  | 43.042 | 51.598 | -24.560 |
| 72  | 45.773 | 51.353 | -24.953 |
| 73  | 47.888 | 49.823 | -25.946 |
| 74  | 49.488 | 47.833 | -27.123 |
| 75  | 50.873 | 45.694 | -28.316 |
| 76  | 52.175 | 43.493 | -29.491 |
| 77  | 53.422 | 41.253 | -30.650 |
| 78  | 54.602 | 38.966 | -31.789 |
| 79  | 55.708 | 36.632 | -32.905 |
| 80  | 56.771 | 34.262 | -33.987 |
| 81  | 57.920 | 31.901 | -34.998 |
| 82  | 59.424 | 29.677 | -35.819 |
| 83  | 61.577 | 27.936 | -36.187 |
| 84  | 64.224 | 27.142 | -35.833 |
| 85  | 66.799 | 27.411 | -34.786 |
| 86  | 68.891 | 28.519 | -33.291 |
| 87  | 70.359 | 30.197 | -31.589 |
| 88  | 71.208 | 32.226 | -29.843 |
| 89  | 71.577 | 34.417 | -28.120 |
| 90  | 71.705 | 36.624 | -26.379 |
| 91  | 71.818 | 38.739 | -24.527 |
| 92  | 72.074 | 40.660 | -22.490 |
| 93  | 72.549 | 42.286 | -20.247 |
| 94  | 73.227 | 43.552 | -17.830 |
| 95  | 74.085 | 44.406 | -15.294 |
| 96  | 75.150 | 44.757 | -12.718 |
| 97  | 76.379 | 44.578 | -10.198 |
| 98  | 77.604 | 44.014 | -7.729  |
| 99  | 78.654 | 43.258 | -5.232  |
| 100 | 79.425 | 42.436 | -2.655  |
| 101 | 79.865 | 41.620 | 0.000   |

TABLE II: X-VECTOR SPLINE

| #   | X      | Y      | Z       |
|-----|--------|--------|---------|
| 1   | 76.869 | 38.919 | 0.000   |
| 2   | 76.879 | 38.207 | 2.540   |
| 3   | 76.554 | 37.557 | 5.076   |
| 4   | 75.918 | 36.974 | 7.570   |
| 5   | 75.009 | 36.455 | 9.992   |
| 6   | 73.864 | 35.985 | 12.323  |
| 7   | 72.514 | 35.557 | 14.550  |
| 8   | 70.983 | 35.164 | 16.663  |
| 9   | 69.285 | 34.807 | 18.652  |
| 10  | 67.421 | 34.509 | 20.496  |
| 11  | 65.384 | 34.313 | 22.162  |
| 12  | 63.176 | 34.265 | 23.605  |
| 13  | 60.816 | 34.419 | 24.772  |
| 14  | 58.351 | 34.791 | 25.634  |
| 15  | 55.837 | 35.283 | 26.272  |
| 16  | 53.297 | 35.688 | 26.862  |
| 17  | 50.760 | 35.772 | 27.577  |
| 18  | 48.340 | 35.330 | 28.511  |
| 19  | 46.224 | 34.244 | 29.638  |
| 20  | 44.431 | 32.703 | 30.807  |
| 21  | 42.733 | 30.999 | 31.896  |
| 22  | 40.967 | 29.285 | 32.847  |
| 23  | 39.081 | 27.609 | 33.622  |
| 24  | 37.068 | 25.992 | 34.164  |
| 25  | 34.953 | 24.432 | 34.383  |
| 26  | 32.801 | 22.930 | 34.140  |
| 27  | 30.767 | 21.481 | 33.304  |
| 28  | 29.043 | 20.013 | 31.956  |
| 29  | 27.630 | 18.525 | 30.298  |
| 30  | 26.399 | 17.345 | 28.296  |
| 31  | 25.477 | 17.058 | 25.859  |
| 32  | 24.819 | 17.452 | 23.336  |
| 33  | 24.189 | 18.162 | 20.874  |
| 34  | 23.470 | 19.015 | 18.482  |
| 35  | 22.654 | 19.874 | 16.123  |
| 36  | 21.896 | 20.556 | 13.690  |
| 37  | 21.443 | 20.938 | 11.122  |
| 38  | 21.683 | 20.928 | 8.512   |
| 39  | 23.068 | 20.450 | 6.363   |
| 40  | 25.381 | 19.653 | 5.489   |
| 41  | 27.755 | 18.609 | 5.886   |
| 42  | 29.770 | 17.269 | 6.925   |
| 43  | 31.505 | 15.672 | 8.110   |
| 44  | 33.234 | 13.933 | 9.079   |
| 45  | 35.335 | 12.402 | 9.436   |
| 46  | 37.740 | 11.379 | 9.131   |
| 47  | 40.202 | 10.829 | 8.372   |
| 48  | 42.607 | 10.658 | 7.303   |
| 49  | 44.893 | 10.789 | 5.995   |
| 50  | 46.968 | 11.229 | 4.430   |
| 51  | 48.653 | 12.022 | 2.569   |
| 52  | 49.833 | 13.010 | 0.431   |
| 53  | 50.424 | 14.109 | -1.888  |
| 54  | 50.418 | 15.384 | -4.194  |
| 55  | 49.943 | 16.903 | -6.293  |
| 56  | 49.126 | 18.642 | -8.101  |
| 57  | 48.239 | 20.382 | -9.877  |
| 58  | 47.384 | 22.114 | -11.677 |
| 59  | 46.581 | 23.935 | -13.410 |
| 60  | 45.832 | 25.909 | -14.994 |
| 61  | 45.189 | 28.058 | -16.381 |
| 62  | 44.564 | 30.415 | -17.385 |
| 63  | 43.870 | 32.858 | -18.106 |
| 64  | 43.065 | 35.290 | -18.742 |
| 65  | 42.181 | 37.688 | -19.401 |
| 66  | 41.319 | 40.087 | -20.090 |
| 67  | 40.643 | 42.558 | -20.718 |
| 68  | 40.291 | 45.137 | -21.140 |
| 69  | 40.312 | 47.768 | -21.197 |
| 70  | 41.714 | 49.873 | -20.816 |
| 71  | 44.203 | 50.628 | -20.763 |
| 72  | 46.710 | 50.101 | -21.266 |
| 73  | 48.649 | 48.613 | -22.223 |
| 74  | 50.105 | 46.722 | -23.344 |
| 75  | 51.310 | 44.671 | -24.489 |
| 76  | 52.399 | 42.551 | -25.624 |
| 77  | 53.420 | 40.389 | -26.744 |
| 78  | 54.373 | 38.189 | -27.848 |
| 79  | 55.254 | 35.948 | -28.931 |
| 80  | 56.078 | 33.673 | -29.987 |
| 81  | 56.920 | 31.386 | -30.999 |
| 82  | 57.968 | 29.143 | -31.910 |
| 83  | 59.522 | 27.125 | -32.559 |
| 84  | 61.742 | 25.748 | -32.658 |
| 85  | 64.255 | 25.402 | -32.029 |
| 86  | 66.488 | 26.052 | -30.819 |
| 87  | 68.167 | 27.386 | -29.298 |
| 88  | 69.242 | 29.152 | -27.668 |
| 89  | 69.782 | 31.158 | -26.045 |
| 90  | 69.969 | 33.244 | -24.440 |
| 91  | 70.030 | 35.297 | -22.781 |
| 92  | 70.152 | 37.220 | -20.979 |
| 93  | 70.459 | 38.907 | -18.975 |
| 94  | 70.983 | 40.263 | -16.775 |
| 95  | 71.696 | 41.227 | -14.427 |
| 96  | 72.615 | 41.705 | -12.005 |
| 97  | 73.726 | 41.632 | -9.617  |
| 98  | 74.861 | 41.139 | -7.287  |
| 99  | 75.826 | 40.441 | -4.932  |
| 100 | 76.511 | 39.678 | -2.501  |
| 101 | 76.869 | 38.919 | 0.000   |

ALL POINT LOCATIONS  
ARE BASIC

FOR NOTES AND PARTS  
LIST SEE SHEET I

|   |       |           |    |        |      |       |  |
|---|-------|-----------|----|--------|------|-------|--|
| Oak Ridge National Laboratory<br>managed for the DEPARTMENT OF ENERGY under<br>U.S. GOVERNMENT contract DE-AC05-00OR22725<br>UT-BATTELLE, LLC. Oak Ridge, Tennessee<br>PROJECT NAME |       |           |    |        |      |       |  |
| <b>UT-BATTELLE</b>  |       |           |    |        |      |       |  |
| NATIONAL COMPACT STELLARATOR EXPERIMENT   |       |           |    |        |      |       |  |
| PRODUCTION WINDING FORM TYPE-B  |       |           |    |        |      |       |  |
| VERSION NO.   | PLANT | BLDG      | FL | SHT OF | TYPE | CLASS |  |
| 3   | X-10  | 5700      | 3  | 12 12  | S    | U     |  |
| RELEASE LEVEL   |       | SEI41-115 |    |        |      |       |  |
| WIP   |       |           |    |        |      |       |  |